

# Nova

Duplex Nova  
**65460-CR**

## TECHNICAL INFORMATION

Duplex composed of: ABS 3 jets shower, non-liming; brass fixed build-in rectangular holder 1/2"MM; double anti-torsion flexible hose in smooth PVC, cm 150. CHROME

## FEATURES



Rain jet



central jet



side jet



Non-liming



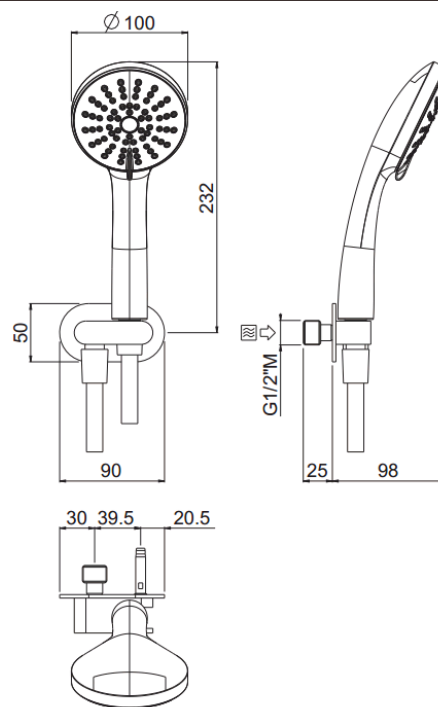
double anti-torsion

## PICTURE



## SPARE PARTS

## TECHNICAL DRAWING



## FINISHINGS

