

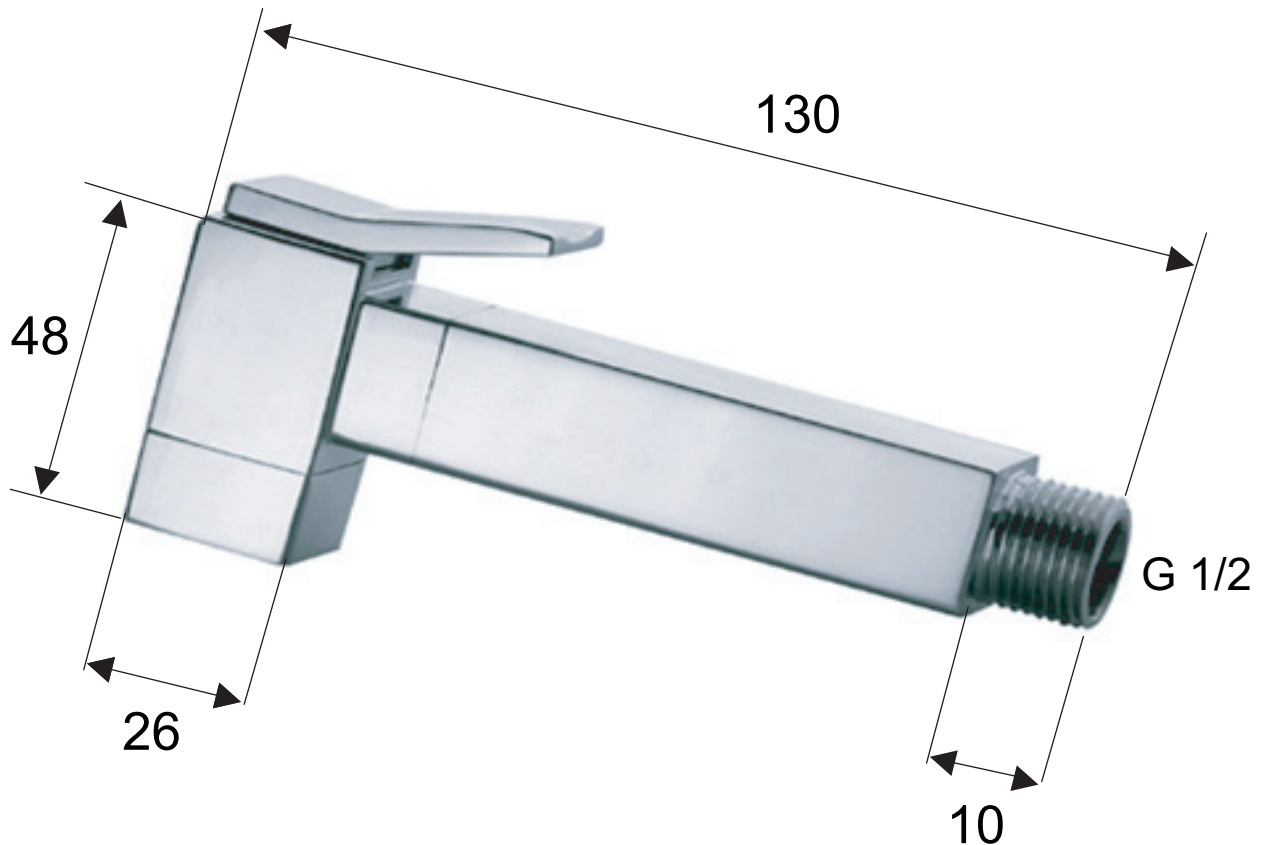


DANIEL

SCHEDA TECNICA TECHNICAL FEATURES

ART. COD.

1010DC



MATERIALI / MATERIALS

OTTONR CROMATO / CHROME PLATED BRASS
CuZn37Pb2Ni1AlFe CB753S UNI EN 12420 2000

CROMATURA / CHROME PLATING

UNI EN 248

Via Leonardo da Vinci 53 20062 Cassano d'Adda (MI) Italy Tel. +39-0363 62651
info@daniel.it www.daniel.it