

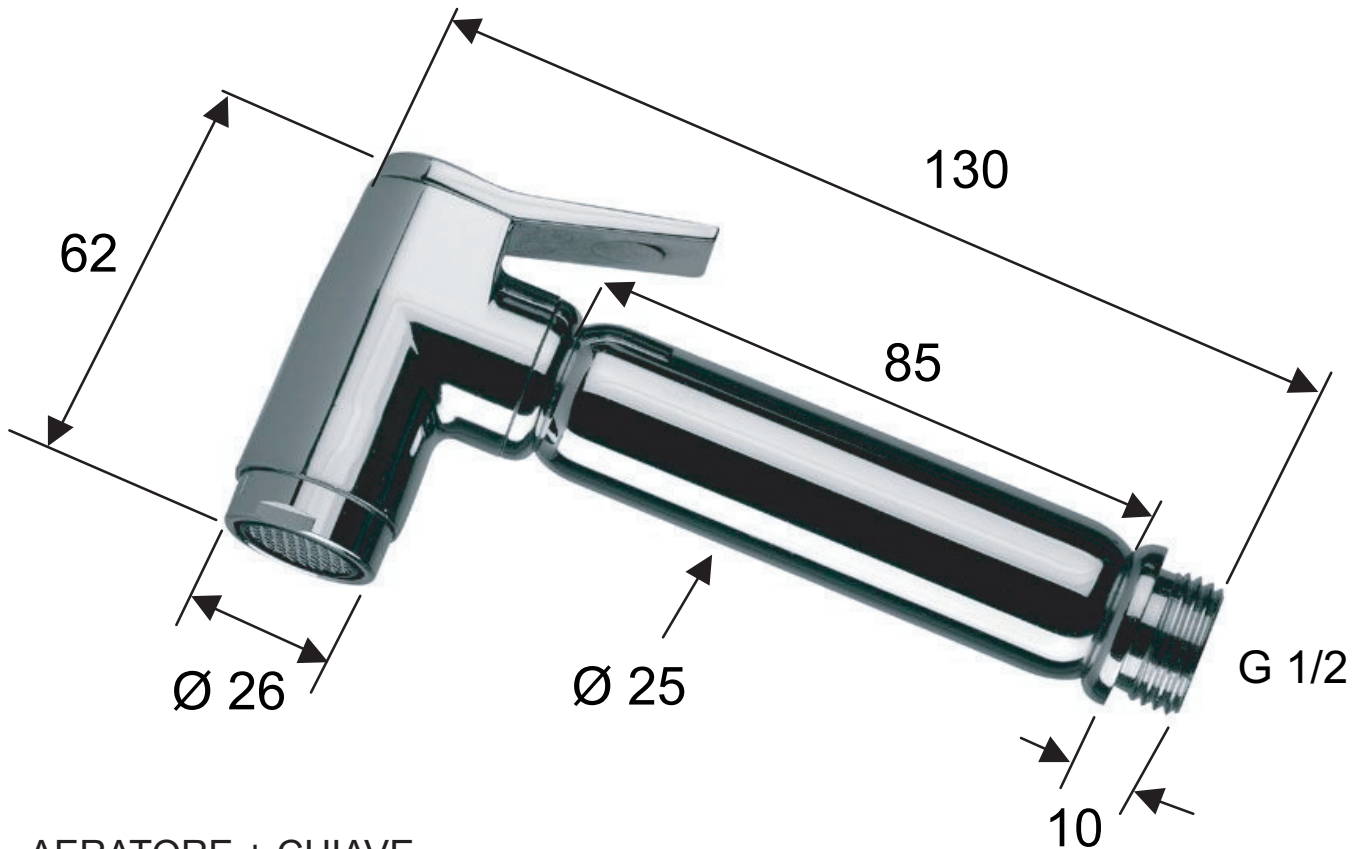


DANIEL

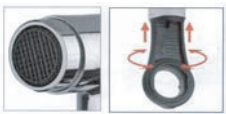
SCHEDA TECNICA TECHNICAL FEATURES

ART. COD.

1012DC



AERATORE + CHIAVE
AERATOR + KEY



OMOLOGAZIONI
COMPLYING WITH
NF, WRAS, NSF, LGA, KIWA

MATERIALI / MATERIALS

OTTONE CROMATO / CHROME PLATED BRASS
CW614N / CW617N UNI EN 12165

CROMATURA / CHROME PLATING

UNI EN 248

Via Leonardo da Vinci 53 20062 Cassano d'Adda (MI) Italy Tel. +39-0363 62651
info@daniel.it www.daniel.it