

MONTERREY - wall-hung unit 1 drawer with pipe cutout and without pipe cut out - 600 / 800 / 1000 / 1200

Materials

- **Front Panels (Thickness = 16mm):**
- Alsacia, Sbiancato, Natural, Bahia, Gloss grey, Gloss white, Gloss taupe: MDF board PVC coated with 3D foil wrapping technology.
- **Side Panels (Thickness = 16 mm):**
- Alsacia, Sbiancato, Natural, Bahia, Gloss grey, Gloss white, Gloss taupe: MDF board PVC coated with same front panels designs.
- **Internal Structure panels (Thickness = 16mm):** Laminated particle board on neutral design / Carbon TX.

* All panels used in the manufacture of this unit are classed as E-1 grade with low level of formaldehyde content..

*Trim varies according to design: PVC, ABS. (edged with PUR glue)

- **Drawers:** metallic drawer exclusively design "Carbon TX" high-end hidden runners with total extraction, soft close and Side and height adjustment. Maximum load capacity: 30 kgs. Drawer organizer included, with 2 removable trays
- **Handle:** integrated handle in the front itself with 3D foil wrapping technology.

Metal Fittings

- **Wall brackets:** high resistance wall brackets with two independent regulations. Certificate according to DIN 68840 (equivalent to 130kg of final load per set).

Packaging Dimensions and weight (mm).

	600	800	1000	1200
Lenght mm.	628	828	1028	1240
Depth mm.	485	485	485	495
Height mm.	311	311	311	330
Net weight Kg.	9,3	12,4	15,5	15,9
Gross weight Kg	12,4	15,1	17,9	18,5

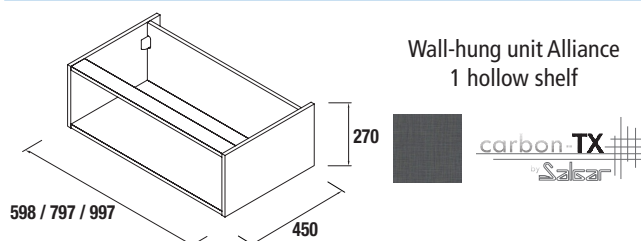
Wash basins available

- 600 / 800 / 1000 / 1200: Iberia, Sofia, Toscana, Veneto

Top basins with counter top

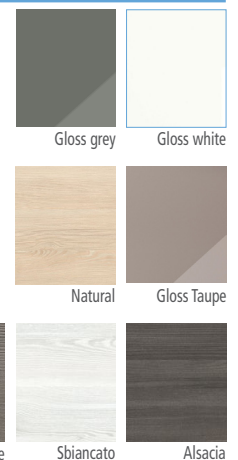
- 600 / 800 / 1000 / 1200
Emotion, Sensation, Seduction, Desir, Altiro, Dolce, Tento, Varmega.

Combines with

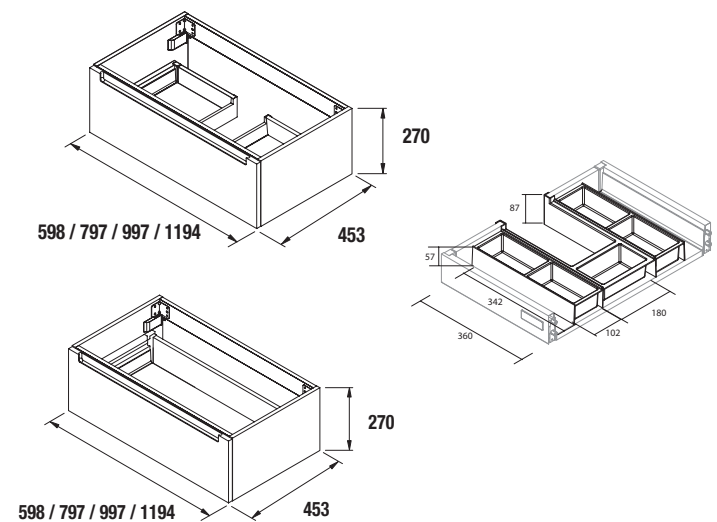


Vanity finishes

Interior drawer finishes



Vanity dimensions



Free space for water pipe

