



**Name:** SIAM - 04

**Design:** Joana Bover / 2010

**Typology:** Ceiling lamp

**Environment:** Indoor

**Technical description**

Ceiling lamp providing diffused light through a translucent shade composed of hand wrapped polyester blend ribbon, with cast-iron structure finished in satin nickel or white, in various size options. Ribbon colors are available in white, cream and red. Frosted white injection-mold polycarbonate diffuser is included. This ceiling lamp can be mounted to create several group or individual formations. In addition, the Siam limbs can be adjusted and moved to create stylish combinations according to the clients' needs. Horizontal arms can be adjusted into the desired position and them locked to prevent movement.



**Lamps description**

Earthing: compulsory

Ready for mounting on normally flammable surface

12 x 22 W E-27

**Voltage:** 230V~50Hz

1 Box 105 x 95 x 125 cm

**Vol.:** 1,2469 m<sup>3</sup>

**Weight:** 40 kg

**Certifications:** Intertek 4006618

**Ref**      **Finishings**

4432005      Satin nickel

4432001      White 9010

**Lampshade:** 80 x 18 cm ( x 4 units)

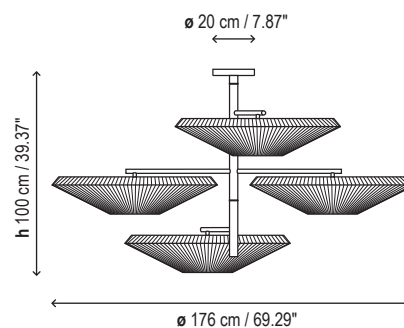
P- 686C      White translucent ribbon

P- 687C      Cream translucent ribbon

P- 688C      Red translucent ribbon

**Customizable**

**Measures**



**Project information**

Project name:

Approved by:

Fixture type:

Date:

Location:

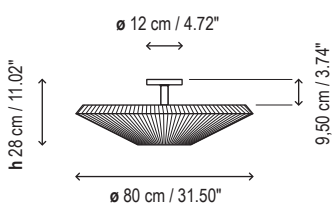
Prepared by:

Comments:

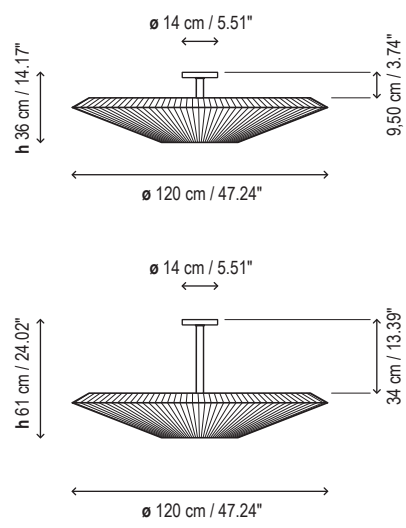
Prepared for:

**Photometrics**

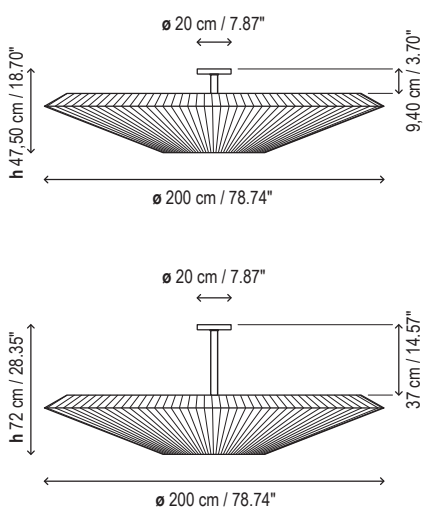
Sizes: SIAM - 01



Sizes: SIAM - 02



SIAM - 03



SIAM - 06 LUCES

