

## Cooker hob S4000 Induction 7334 240

Cooker hobs

Code: 7334 240



### DETAILS

Coloring	Black
Material	Ceramic glass
Edge/Installation Type	Bevelled Edge - for flush-mount or over-mount installation
Dimensions	1100x350 mm
Base size	110cm
Heating element	Four zones
Built-in hole	View technical data sheet (for all Flush-mount / Top-mount models and Under-mount models)
Total power	7.400 W
Left	Ø 210 mm-2.050 (2.500)* (3.700)** W

Centre-left                      Ø 210 mm-2.050 (2.500)\* (3.700)\*\* W

---

Centre-right                     Ø 180 mm-1.850 (2.300)\* (3.000)\*\* W

---

Right                              Ø 180 mm-1.850 (2.300)\* (3.000)\*\* W

---

Power settings                    9 power settings per zone + double Powerboost

---

Safety                             Safety equipment

---

Type                                Induction Hob

---

Type of commands                Touch Control

---

Notes:                              \* Powerboost  
   \*\* Double Powerboost

---

## FEATURES

Double powerboost                Two further levels of power up to 3700 W, to be used on a single zone or distributed over the entire Bridge extended area (where available).

---

Pot detector                        All induction cooker hobs detect the pot resting on them, but they also calculate the area they cover. This system allows the energy to be used even more efficiently. Moreover, the plates switch off automatically when the pot is removed.

---

End-of-cooking programming    All operations are programmed by means of the touch-control on the glass itself. Each cooking plate is capable of independent programming, and thus the possibility to set different cooking times.

---

Timer                                Independent timer from the end-of-cooking function.

---

## Smart fan system

Correct ventilation is essential for the induction hob to function in the best possible way. The Foster system automatically regulates the amount of ventilation to suit the temperatures reached.

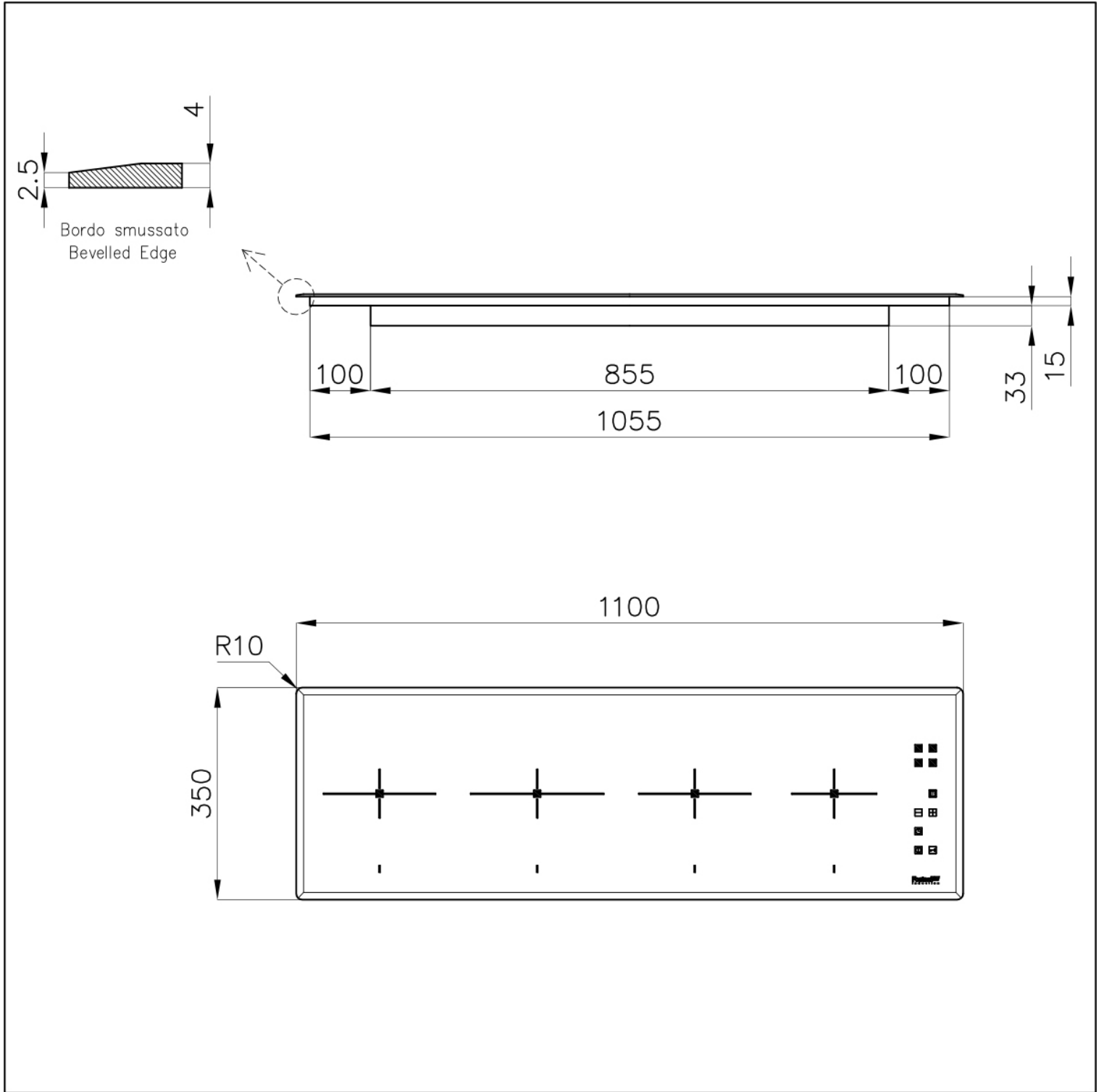
---

## Safety

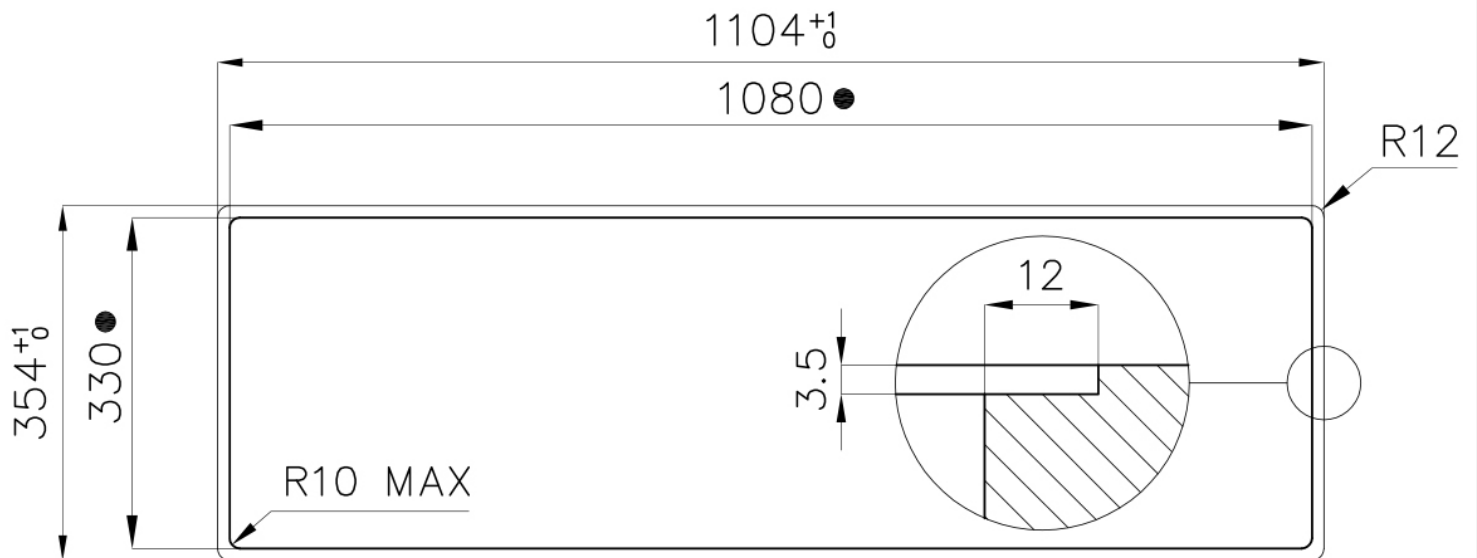
All electric cooker hobs feature the most modern and sophisticated safety protections: Centralised power-off function; Child-proof safety lock; Residual heat warning lights. Induction models feature the following functions: Safety System that turn off the hob in the absence of the pot; Overflow detector that automatically turns off the plate in case of liquid overflow; Automatic deactivation to prevent accidents caused by forgetfulness.

---

## TECHNICAL DATA



Cut out size  
Dimensioni per foratura top



- Built-in cut out for FTS – Foratura per installazione FTS

## OPTIONAL ACCESSORIES



Induction Pro - Cookware set -  
8pcs 8210 008

## RECOMMENDED PAIRINGS



Hood Ghost 120 Filotop 2451 120



Sink Milanello workstation 1043  
05x