

## .25

## PTBT52

.25 70" x 40" x 29" Reverse Freestanding Oval Bathtub



SHOWN IN .25 70" X 40" X 29" REVERSE FREESTANDING OVAL BATHTUB | PTBT52

### TECHNICAL DETAILS

ADA Compliance: No  
Adjustable Levelers / Feet: N  
Assembly / Configuration: One Piece  
Bathing Type: Bathing and Soaking  
Bottom Angle / Pitch: 6.5 degree\_angle  
Drilling Option: None  
Depth / Width: 40"  
Height: 29"  
Installation Type: Freestanding  
Item Weight (Filled): 916.0 pounds  
Length: 70"  
Material / Wall Thickness: 1/4"  
Number of Holes: Two Hole  
Overflow Opening: Yes  
Primary Material: Fiberglass  
Single or Double Ended: Single Ended  
Suggested Application: Bath

### INSPIRATION

.25 is the ultimate in utilitarian elegance: A simple and understated design that is equally functional and beautiful.

### PRODUCT FEATURES

The .25 bathtub brings a sculptural sensibility and an aesthetic purity to the bath. Our .25 tubs are made of fiberglass materials; the exact materials are a trade secret. Designed to comfortably fit the contours and length of any body.

### PRODUCT (NOTES)

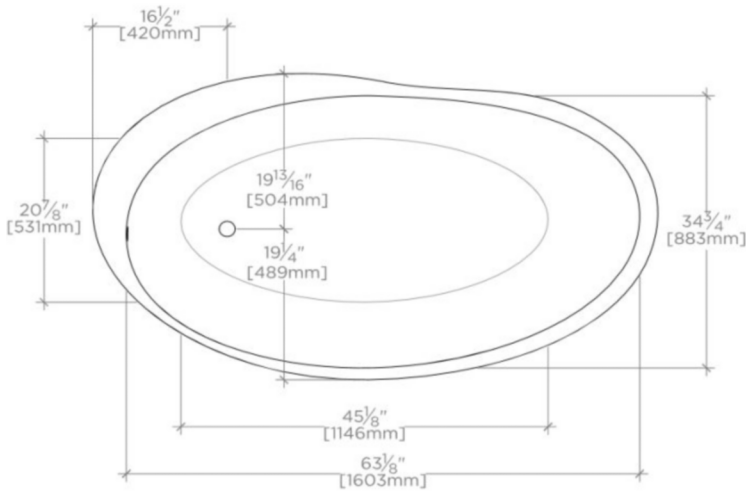
Dimensions of fixtures are nominal. Measure your actual product for rough-in details.

# WATERWORKS

.25

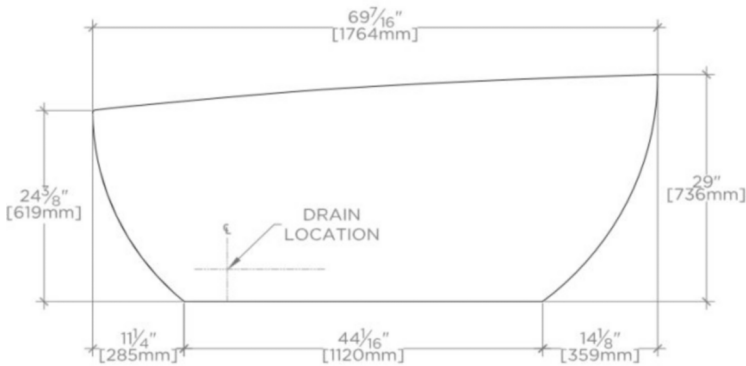
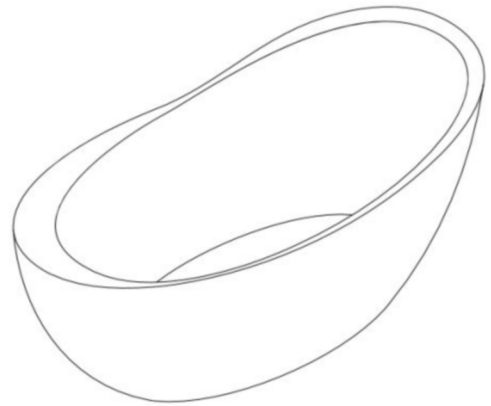
PTBT52

.25 70" x 40" x 29" Reverse Freestanding Oval Bathtub



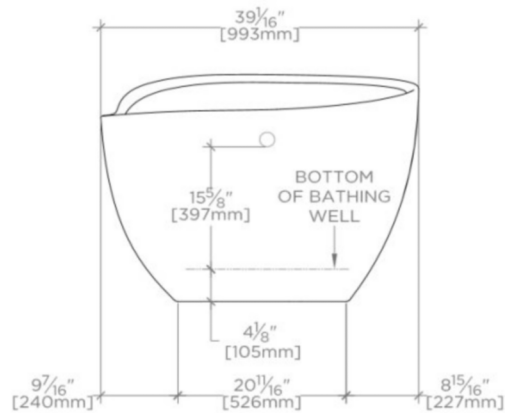
TOP VIEW

SCALE: 1/2"=1'-0"



SIDE VIEW

SCALE: 1/2"=1'-0"



END VIEW

SCALE: 1/2"=1'-0"