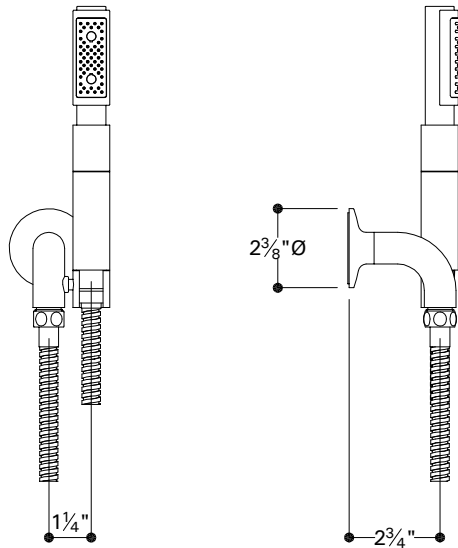


PTHS25**IMPORTANT**

- To ensure this product is installed properly, you must read and follow these guidelines.
- The owner/user of this product must keep this information for future reference.
- The risk of scalding exists until the installer has properly calibrated the temperature setting on the thermostatic valve (sold separately).
- Observe all local plumbing and building codes.
- Product uses dual check valves for backflow prevention. Local plumbing codes may require a vacuum breaker to be installed in-line to handshowers. Please consult with local plumbing codes.
- A wall valve (sold separately) controls on/off/volume and must be installed for proper operation of this product.
- This product must be installed by a professional contractor.
- Inspect this product to assure you have all parts required for proper installation.
- Use only a strap wrench or protected/smooth-jaw wrench on any finished surface

ROUGH IN:

1. Install a wall valve (sold separately) at the desired location.
2. Determine the ideal location of the inlet/hook assembly based on the clients preference.
3. Finish the rough in by installing a well supported $\frac{1}{2}$ " female ips elbow.
4. Sweat a piece of $\frac{1}{2}$ " copper pipe of appropriate length onto a $\frac{1}{2}$ " male $\times \frac{1}{2}$ " sweat adapter. Thread the copper and adapter assembly into the female elbow in the wall. The copper must protrude 1" from the surface of the finished wall

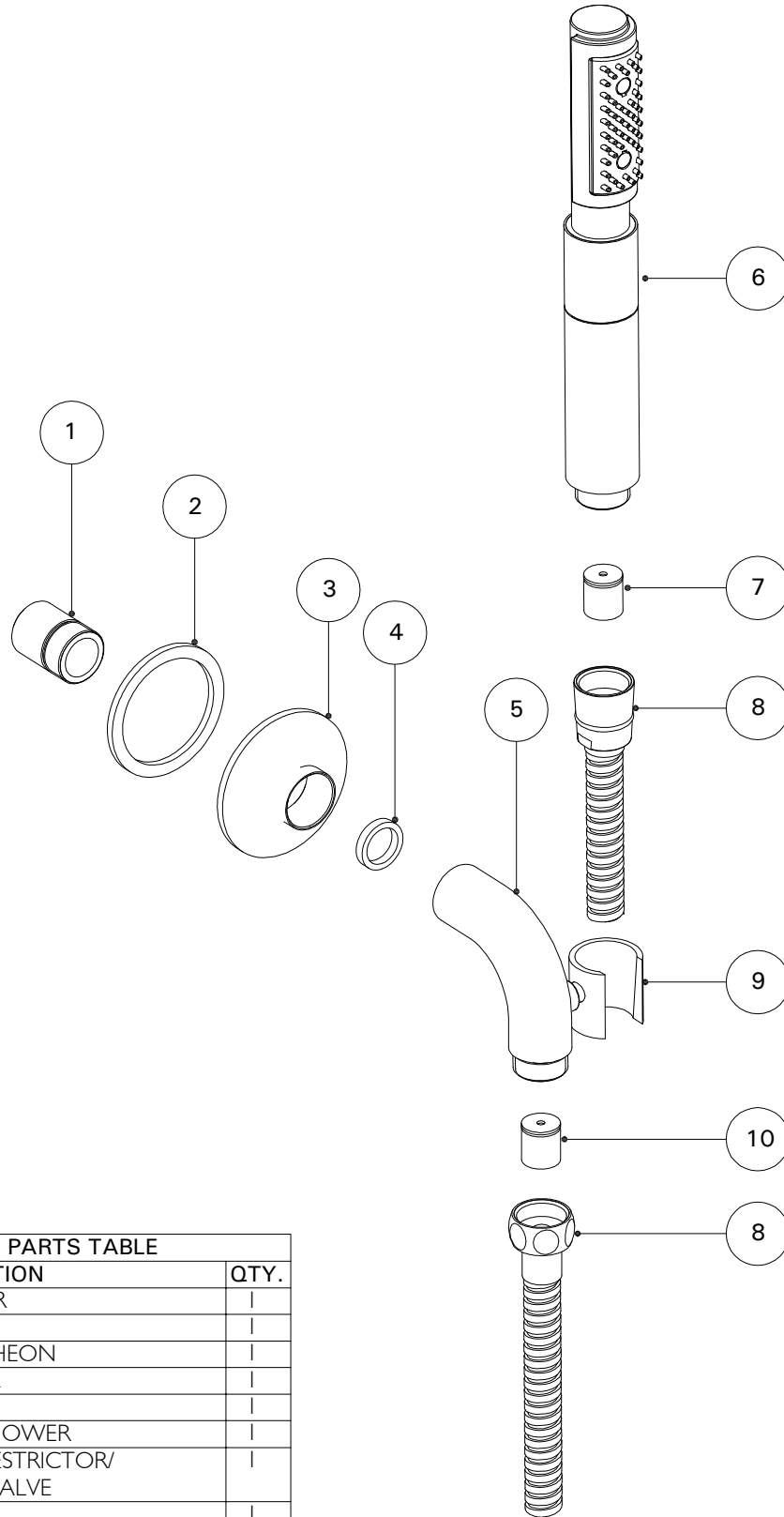
ELBOW/HOOK INSTALLATION:

1. Unpack the hook/elbow (5) and verify the adapter (1) is threaded completely into the hook/elbow.
2. To verify alignment of the hook/elbow and adapter, make a mark at 12:00 that extends from the hook/elbow onto the adapter.
3. Unthread the adapter from the hook/elbow then slide the adapter onto the copper. The face of the adapter should NOT extend more than $1 \frac{1}{4}$ " off the face of the finished wall.
4. After verifying fit, make sure the mark made in step 2 remains at 12:00 then sweat the adapter onto the copper. If it is not aligned, the hook/elbow will not thread on completely and cause a leak or not align properly so the elbow/hook points down at 6:00.
5. Allow the adapter to cool then slide the escutcheon onto the adapter.
6. Thread the hook/adapter onto the adapter making sure the washer (4) is in place
7. Install the hand shower hose and verify proper function. A flow restrictor is located in the base of the hand shower.

If further assistance is required, please contact Product Support at 1-800-927-2120 (8am-7pm EST).

These guidelines have been prepared for the professional contractor to aid in the installation of:
.25 HANDSHOWER ON HOOK (PTHS25) All dimensions are based on origin specification and are subject to change and variation. Please consult your Design Associate for current specifications.

W A T E R W O R K S



PARTS TABLE

| ITEM NO. | DESCRIPTION | QTY. |
|----------|---------------------------------|------|
| 1 | ADAPTER | 1 |
| 2 | GASKET | 1 |
| 3 | ESCUTCHEON | 1 |
| 4 | WASHER | 1 |
| 5 | ELBOW | 1 |
| 6 | HANDSHOWER | 1 |
| 7 | FLOW RESTRICTOR/ CHECK VALVE | 1 |
| 8 | HOSE | 1 |
| 9 | HOOK | 1 |
| 10 | CHECK VALVE | 1 |

These guidelines have been prepared for the professional contractor to aid in the installation of: **.25 HANDSHOWER ON HOOK (PTHS25)** All dimensions are based on origin specification and are subject to change and variation. Please consult your Design Associate for current specifications.

W A T E R W O R K S