



PRODUCT SHEET

**TR Collection**  
*by Tim Rundle*

# TR Bulb Pendant

BY TIM RUNDLE

Black powder coated steel or brushed brass pendant with textile cord.



## PRODUCT OPTIONS



TR Bulb Pendant, Brushed Brass / Shiny Opal Bulb, by Tim Rundle

# TR Bulb Pendant

BY TIM RUNDLE

## TECHNICAL SPECIFICATIONS

**PRODUCT TYPE**  
Pendant

**COLLI**  
2

**ENVIRONMENT**  
Indoor

**DIMENSIONS**  
H: 30 cm / 11,8"  
Ø: 20 cm / 7,9"

**COLOURS**  
Black (RAL 9005)  
Brushed brass

**PRODUCTION PROCESS**  
The globe shade is made from mouth-blown opal glass and the core is designed with aluminium to draw heat away from the LED light source, allowing the bulb to run at the optimum temperature. Accessory fittings are made of brushed brass or painted steel.

**MATERIALS**  
Powder coated steel or brushed brass with lacquer, opal glass (matte or shiny), LED COB.

**WEIGHT**  
1,1 kg / 2,4 lb

**VOLTAGE**  
CE: 220-230 V  
US: 110-130 V

**LIGHT SOURCE & ENERGY EFFICIENCY CLASS**  
CE: Standard: E27, 6,5 Watt, A+  
US: Standard: E26, 6 Watt, A+  
Bulbs are dimmable (trailing edge)

### LIGHT SPECIFICATION

**TR Bulb (CE)**  
Standard  
Watt: 6,5 W  
Lumen output: 70 lm / W  
Colour temperature: 2700 K  
CRI: > 80

**TR Bulb (US)**  
Standard  
Watt: 6 W  
Lumen output: 70 lm / W  
Colour temperature: 2700 K  
CRI: > 80

**DIMMER**  
No. The lamp can be connected to a dimmer system.

**CANOPY**  
Yes, ABS, black  
Ø: 11,5 cm / 4,5"  
H: 3,8 cm / 1,5"

**CORD MATERIAL AND COLOUR**  
Textile, black.

**CORD LENGTH**  
300 cm / 118,1"

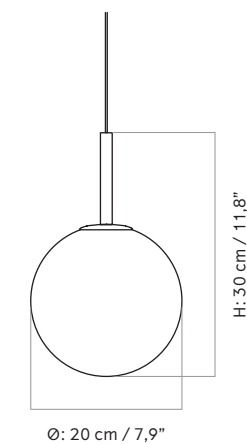
**CLASSIFICATION**  
IP20

**CERTIFICATIONS**  
CE and ETL certified, tests can be obtained upon request.

**PACKAGING TYPE**  
Gift box

**PACKAGING MEASUREMENTS (H x W x D)**  
26 cm x 36 cm x 25,5 cm / 10,2" x 14,2" x 10"

**MATERIALS & MAINTENANCE**  
Please visit [menuspace.com](http://menuspace.com) for materials and care and maintenance instructions.



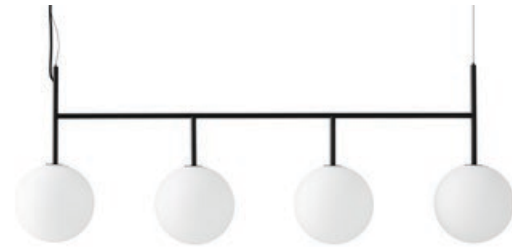
# TR Bulb Suspension Frame

BY TIM RUNDLE

Suspension lamp in black powder coated steel or brushed brass. Opal glass bulb with a shiny or matte finish.



## PRODUCT OPTIONS



TR Bulb Suspension Frame, Brushed Brass / Matte Opal Bulb, by Tim Rundle

# TR Bulb Suspension Frame

BY TIM RUNDLE

## TECHNICAL SPECIFICATIONS

**PRODUCT TYPE**  
Suspension frame

**COLLI**  
1

**ENVIRONMENT**  
Indoor

**DIMENSIONS**  
H: 45 cm / 17,7"  
Æ: 20 cm / 7,9"  
W: 125 cm / 49,2"

**COLOURS**  
Black (RAL 9005)  
Brushed brass

**PRODUCTION PROCESS**  
The globe shade is made from mouth-blown opal glass and the core is designed with aluminium to draw heat away from the LED light source, allowing the bulb to run at the optimum temperature. Accessory fittings are made of brushed brass or painted steel.

**MATERIALS**  
Powder coated steel or brushed brass with lacquer, opal glass (matte or shiny), LED COB.

**WEIGHT**  
4,4 kg / 9,7 lb

**VOLTAGE**  
CE: 220-230 V  
US: 110-130 V

**LIGHT SOURCE & ENERGY EFFICIENCY CLASS**  
CE: Standard: E27, 6,5 Watt, A+  
US: Standard: E26, 6 Watt, A+  
Bulbs are dimmable (trailing edge)

### LIGHT SPECIFICATION

**TR Bulb (CE)**  
Standard  
Watt: 6,5 W  
Lumen output: 70 lm / W  
Colour temperature: 2700 K  
CRI: > 80

**TR Bulb (US)**  
Standard  
Watt: 6 W  
Lumen output: 70 lm / W  
Colour temperature: 2700 K  
CRI: > 80

**DIMMER**  
No. The lamp can be connected to a dimmer system.

**CANOPY**  
Yes, ABS, black  
Ø: 11,5 cm / 4,5"  
H: 3,8 cm / 1,5"

**CORD MATERIAL AND COLOUR**  
Textile, black

**CORD LENGTH**  
300 cm / 118,1"

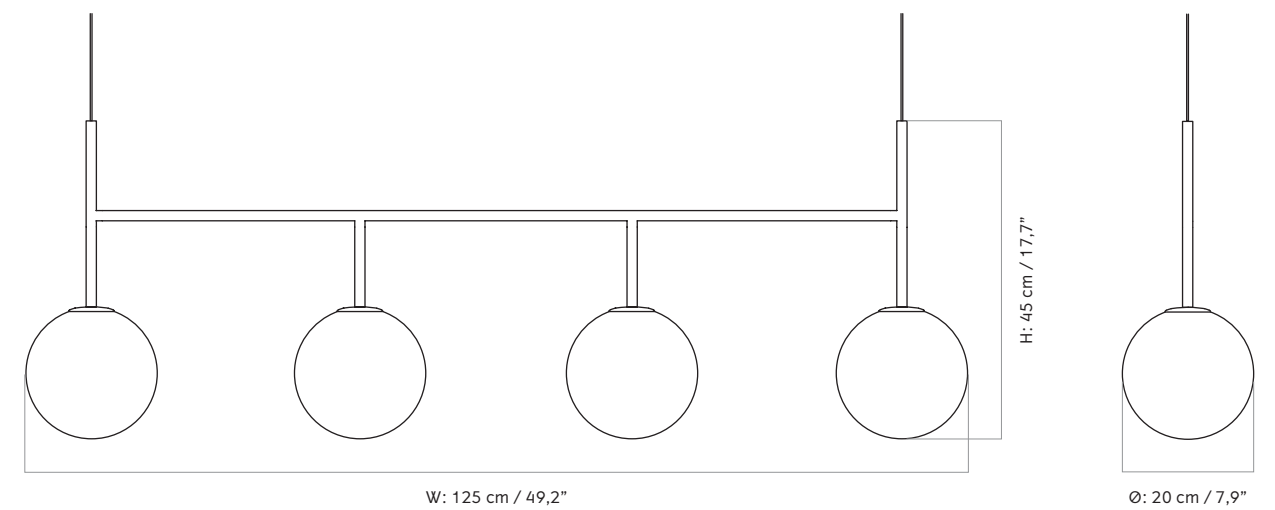
**CLASSIFICATION**  
IP20

**CERTIFICATIONS**  
CE and ETL certified, tests can be obtained upon request.

**PACKAGING TYPE**  
Gift box

**PACKAGING MEASUREMENTS (H x W x D)**  
26,5 cm x 136,5 cm x 43,8 cm / 10,4" x 53,7" x 17,2"

**MATERIALS & MAINTENANCE**  
Please visit [menuspace.com](http://menuspace.com) for materials and care and maintenance instructions.



# TR Bulb Table Lamp

BY TIM RUNDLE

Black powder coated steel lamp with circular Ocean Grey Marble base or brushed brass. Opal glass bulb with a shiny or matte finish. Textile cord with dimmer switch.

## PRODUCT OPTIONS



Ocean Grey Marble, Matte Opal Bulb  
1491639



Ocean Grey Marble, Shiny Opal Bulb  
1491629



Brushed Brass, Matte Opal Bulb  
1461639



Brushed Brass, Shiny Opal Bulb  
1461629



TR Bulb Table Lamp, Brushed Brass / Shiny Opal Bulb, by Tim Rundle

# TR Bulb Table Lamp

BY TIM RUNDLE

## TECHNICAL SPECIFICATIONS

**PRODUCT TYPE**  
Table lamp

**COLLI**  
2

**ENVIRONMENT**  
Indoor

**DIMENSIONS**  
H: 41 cm / 16,1"  
Ø: 18 or 20 cm / 7,1" or 7,9"

**COLOURS**  
Ocean Grey Marble  
Brushed brass

**PRODUCTION PROCESS**  
The globe shade is made from mouth-blown opal glass and the core is designed with aluminium to draw heat away from the LED light source, allowing the bulb to run at the optimum temperature. Accessory fittings are made from cut and polished marble, brushed brass or painted steel.

**MATERIALS**  
Powder coated steel or brushed brass with lacquer, opal glass (matte or shiny), LED COB.

**WEIGHT**  
1,7 kg / 3,7 lb

**VOLTAGE**  
CE: 220-230 V  
US: 110-130 V

**LIGHT SOURCE & ENERGY EFFICIENCY CLASS**  
CE: Standard: E27, 6,5 Watt, A+  
US: Standard: E26, 6 Watt, A+  
Bulbs are dimmable (trailing edge)

### LIGHT SPECIFICATION

**TR Bulb (CE)**  
Standard  
Watt: 6,5 W  
Lumen output: 70 lm / W  
Colour temperature: 2700 K  
CRI: > 80

**TR Bulb (US)**  
Standard  
Watt: 6 W  
Lumen output: 70 lm / W  
Colour temperature: 2700 K  
CRI: > 80

**DIMMER**  
Yes, on cord

**CANOPY**  
No

**CORD MATERIAL AND COLOUR**  
Black textile and black plug.

**CORD LENGTH**  
200 cm / 78,7"

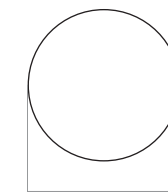
**CLASSIFICATION**  
IP20

**CERTIFICATIONS**  
CE and ETL certified, tests can be obtained upon request.

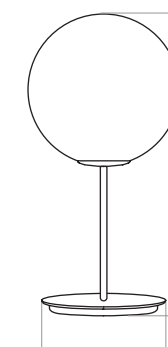
**PACKAGING TYPE**  
Gift box

**PACKAGING MEASUREMENTS (H x W x D)**  
26,5 cm x 36 cm x 32,5 cm / 10,4" x 14,2" x 12,8"

**MATERIALS & MAINTENANCE**  
Please visit [menuspace.com](https://www.menuspace.com) for materials and care and maintenance instructions.



Ø: 20 cm / 7,9"



Ø: 18 cm / 7,1"

# TR Bulb Table/Wall Lamp

BY TIM RUNDLE

Black powder coated steel lamp with circular Ocean Grey Marble base or brushed brass. Opal glass bulb with a shiny or matte finish. Textile cord with dimmer switch.



## PRODUCT OPTIONS



TR Bulb Table / Wall Lamp, Brushed Brass / Matte Opal Bulb, by Tim Rundle  
Plinth Low, Calacatta Viola Marble, by Norm Architects

# TR Bulb Table/Wall Lamp

BY TIM RUNDLE

## TECHNICAL SPECIFICATIONS

**PRODUCT TYPE**  
Table / Wall lamp

**COLLI**  
2

**ENVIRONMENT**  
Indoor

**DIMENSIONS**  
H: 22 cm / 8,7"  
Ø: 16 or 20 cm / 6,2" or 7,9"

**COLOURS**  
Ocean Grey Marble  
Brushed brass

**PRODUCTION PROCESS**  
The globe shade is made from mouth-blown opal glass and the core is designed with aluminium to draw heat away from the LED light source, allowing the bulb to run at the optimum temperature. Accessory fittings are made from cut and polished marble, brushed brass or painted steel.

**MATERIALS**  
Powder coated steel or brushed brass with lacquer, opal glass (matte or shiny), LED COB.

**WEIGHT**  
1,6 kg / 3,5 lb

**VOLTAGE**  
CE: 220-230 V  
US: 110-130 V

**LIGHT SOURCE & ENERGY EFFICIENCY CLASS**  
CE: Standard: E27, 6,5 Watt, A+  
US: Standard: E26, 6 Watt, A+  
Bulbs are dimmable (trailing edge)

### LIGHT SPECIFICATION

**TR Bulb (CE)**  
Standard  
Watt: 6,5 W  
Lumen output: 70 lm / W  
Colour temperature: 2700 K  
CRI: > 80

**TR Bulb (US)**  
Standard  
Watt: 6 W  
Lumen output: 70 lm / W  
Colour temperature: 2700 K  
CRI: > 80

**DIMMER**  
Yes, on cord

**CANOPY**  
No

**CORD MATERIAL AND COLOUR**  
Black textile and black plug.

**CORD LENGTH**  
200 cm / 78,7"

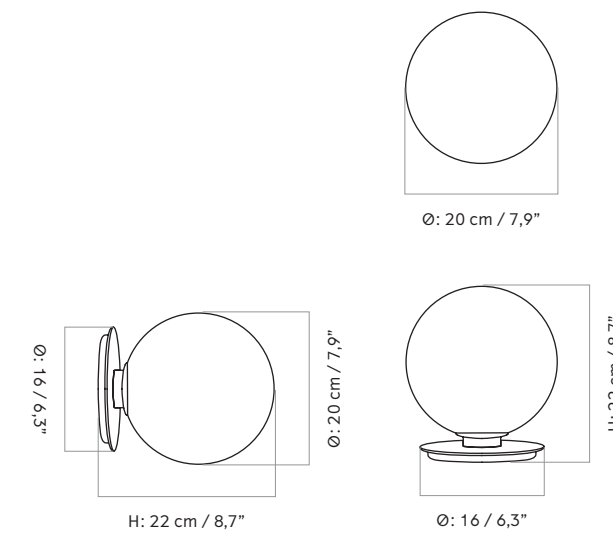
**CLASSIFICATION**  
IP20

**CERTIFICATIONS**  
CE and ETL certified, tests can be obtained upon request.

**PACKAGING TYPE**  
Gift box

**PACKAGING MEASUREMENTS (H x W x D)**  
26 cm x 50 cm x 25,6 cm / 10" x 19,7" x 10"

**MATERIALS & MAINTENANCE**  
Please visit [menuspace.com](http://menuspace.com) for materials and care and maintenance instructions.



# TR Bulb Ceiling/Wall Lamp

BY TIM RUNDLE

Black powder coated steel or brushed brass ceiling / wall lamp with PVC cord. Opal glass bulb with a shiny or matte finish.

## PRODUCT OPTIONS



TR Bulb Ceiling / Wall Lamp, Black / Matte Opal Bulb, by Tim Rundle  
Harbour Dining Chair, Black Steel / Nuance 40782, by Norm Architects  
Androgyne Side Table, Black Steel / Nero Marquina Marble, by Danielle Siggerud



# TR Bulb Ceiling/Wall Lamp

BY TIM RUNDLE

## TECHNICAL SPECIFICATIONS

**PRODUCT TYPE**  
Ceiling / Wall lamp

**COLLI**  
1

**ENVIRONMENT**  
Indoor

**DIMENSIONS**  
H: 22 cm / 8,7"  
Ø: 16 or 20 cm / 6,2" or 7,9"

**COLOURS**  
Black (RAL 9005)  
Brushed brass

**PRODUCTION PROCESS**  
The globe shade is made from mouth-blown opal glass and the core is designed with aluminium to draw heat away from the LED light source, allowing the bulb to run at the optimum temperature. Accessory fittings are made of brushed brass or painted steel.

**MATERIALS**  
Powder coated steel or brushed brass with lacquer, opal glass (matte or shiny), LED COB.

**WEIGHT**  
1,6 kg / 3,5 lb

**VOLTAGE**  
CE: 220-230 V  
US: 110-130 V

**LIGHT SOURCE & ENERGY EFFICIENCY CLASS**  
CE: Standard: E27, 6,5 Watt, A+  
US: Standard: E26, 6 Watt, A+  
Bulbs are dimmable (trailing edge)

### LIGHT SPECIFICATION

**TR Bulb (CE)**  
Standard  
Watt: 6,5 W  
Lumen output: 70 lm / W  
Colour temperature: 2700 K  
CRI: > 80

**TR Bulb (US)**  
Standard  
Watt: 6 W  
Lumen output: 70 lm / W  
Colour temperature: 2700 K  
CRI: > 80

**DIMMER**  
No. The lamp can be connected to a dimmer system.

**CANOPY**  
No

**CORD MATERIAL AND COLOUR**  
PVC, black

**CORD LENGTH**  
10 cm / 3,9"

**CLASSIFICATION**  
IP20

**CERTIFICATIONS**  
CE and ETL certified, tests can be obtained upon request.

**PACKAGING TYPE**  
Gift box

**PACKAGING MEASUREMENTS (H x W x D)**  
43 cm x 48,5 cm x 48,5 cm / 17" x 19" x 19"

**MATERIALS & MAINTENANCE**  
Please visit [menuspace.com](http://menuspace.com) for materials and care and maintenance instructions.

