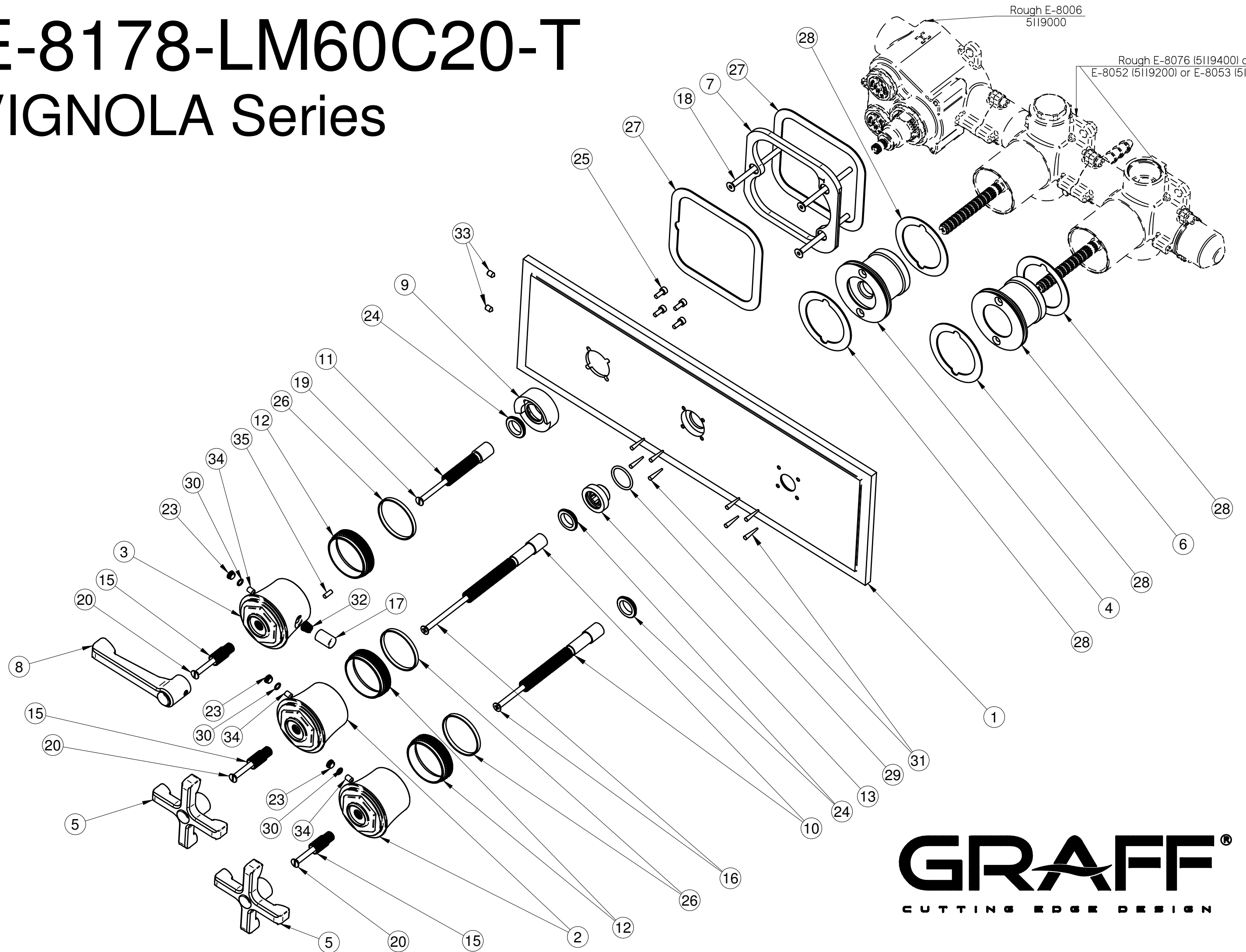


E-8178-LM60C20-T

VIGNOLA Series



GRAFF[®]
CUTTING EDGE DESIGN