

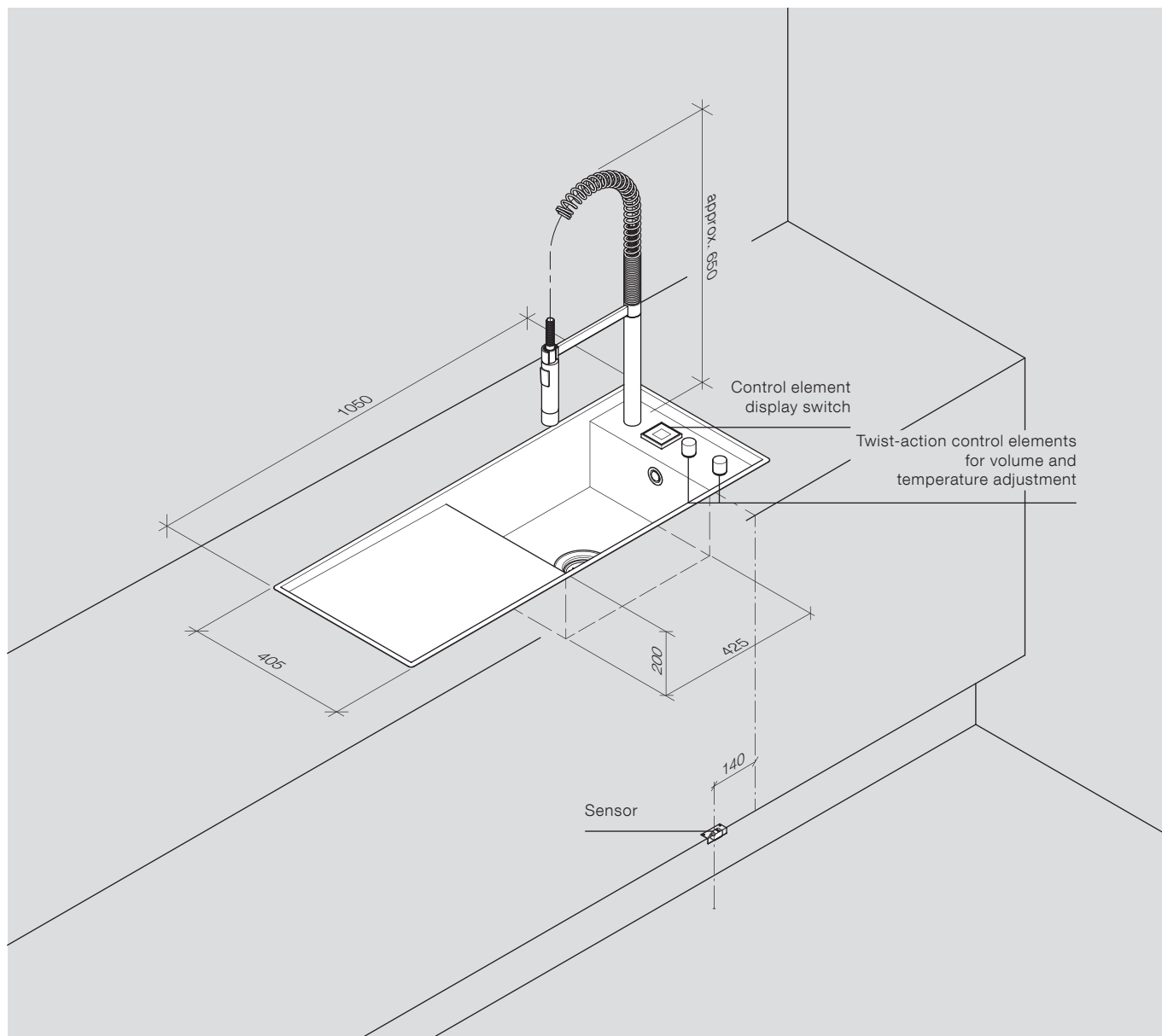


Dornbracht eUnit Kitchen, sink-integrated

Planning guide

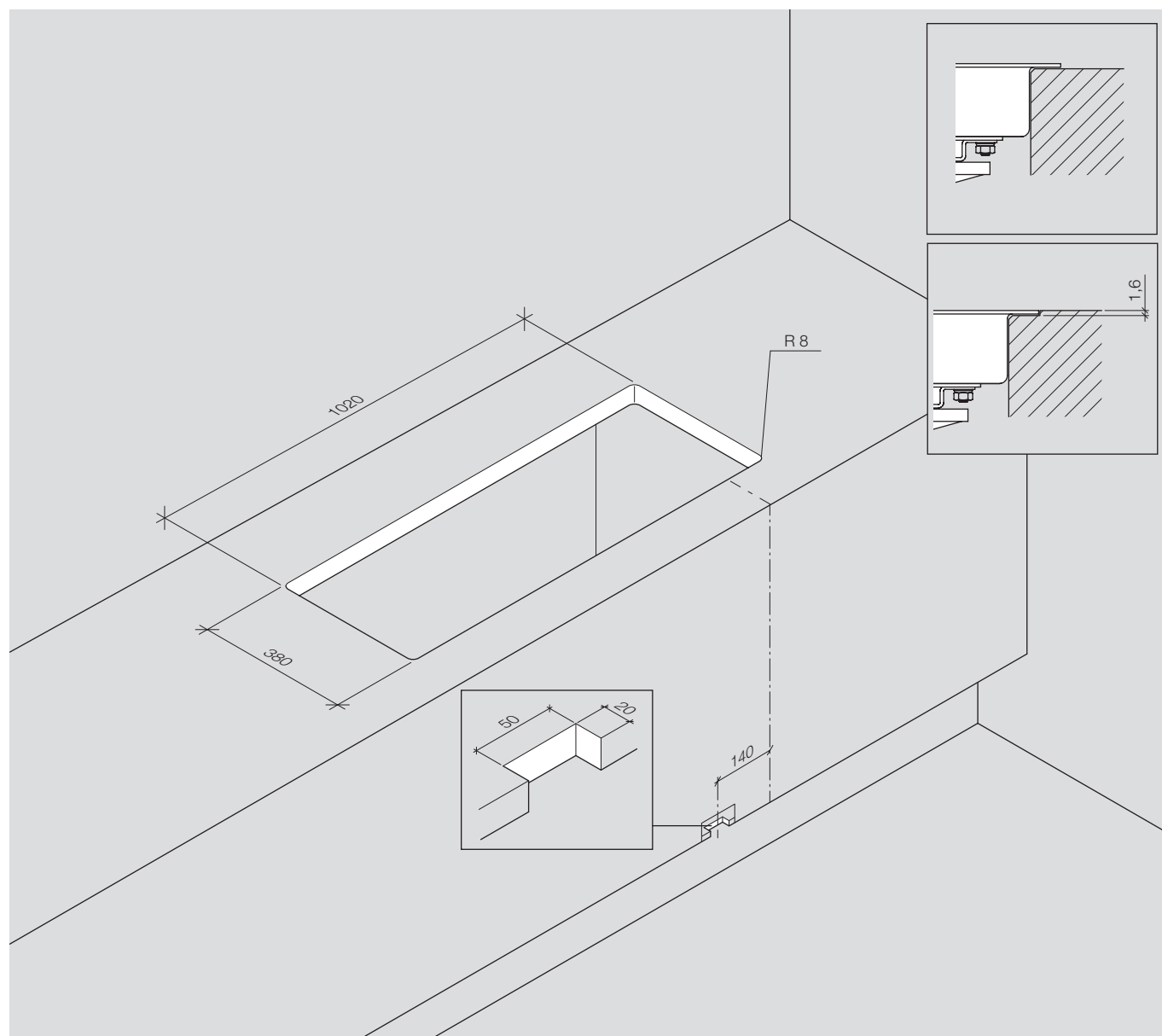
- 02 Positioning
- 04 Components
- 05 Installation
- 08 Activation
- 09 Data and standards
- 11 Product overview
- 15 Checklists

Positioning



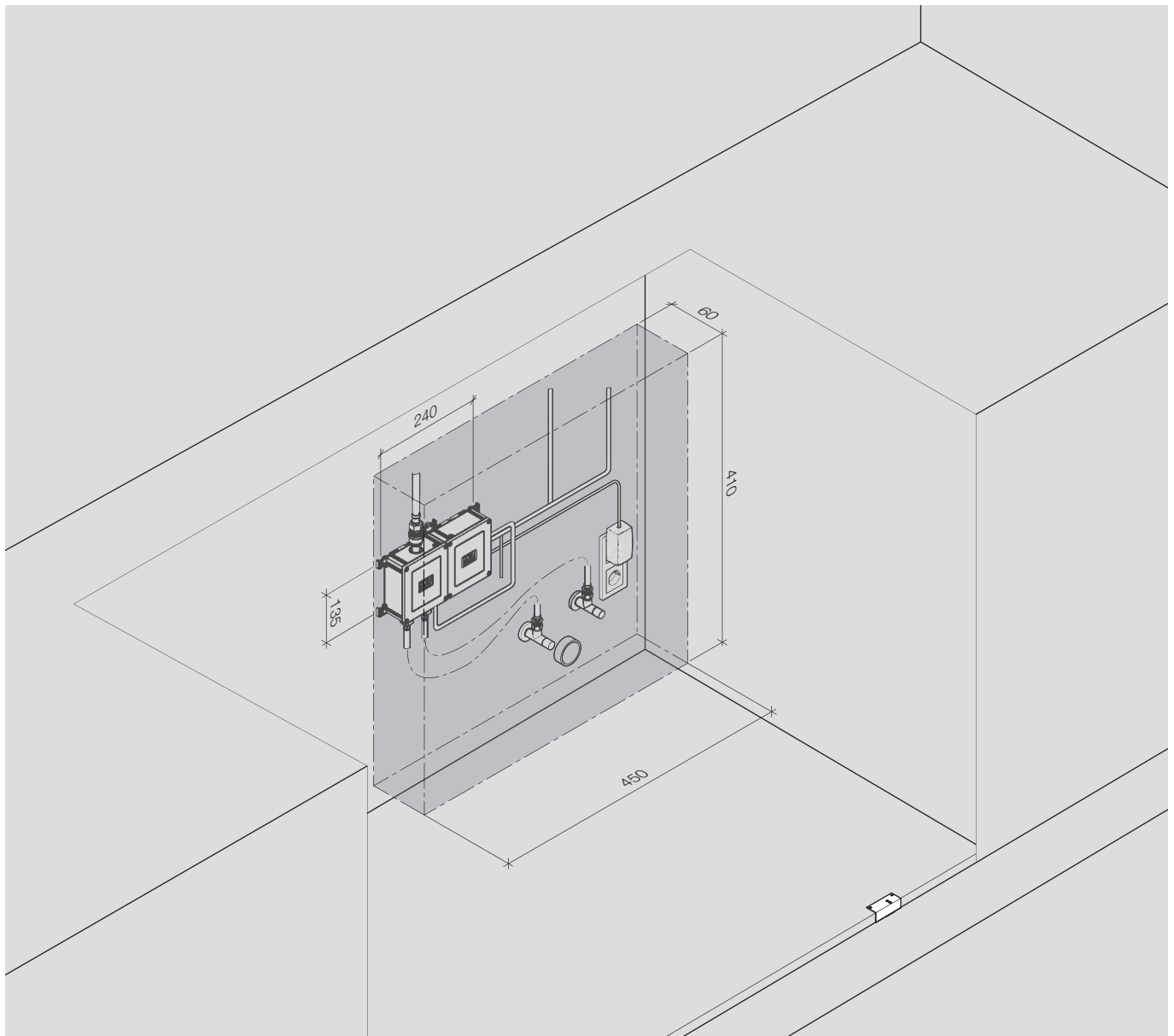
The sink-integrated eUNIT KITCHEN involves a predefined product configuration. Electronic control elements are already pre-fitted on the single sink.

Cutout



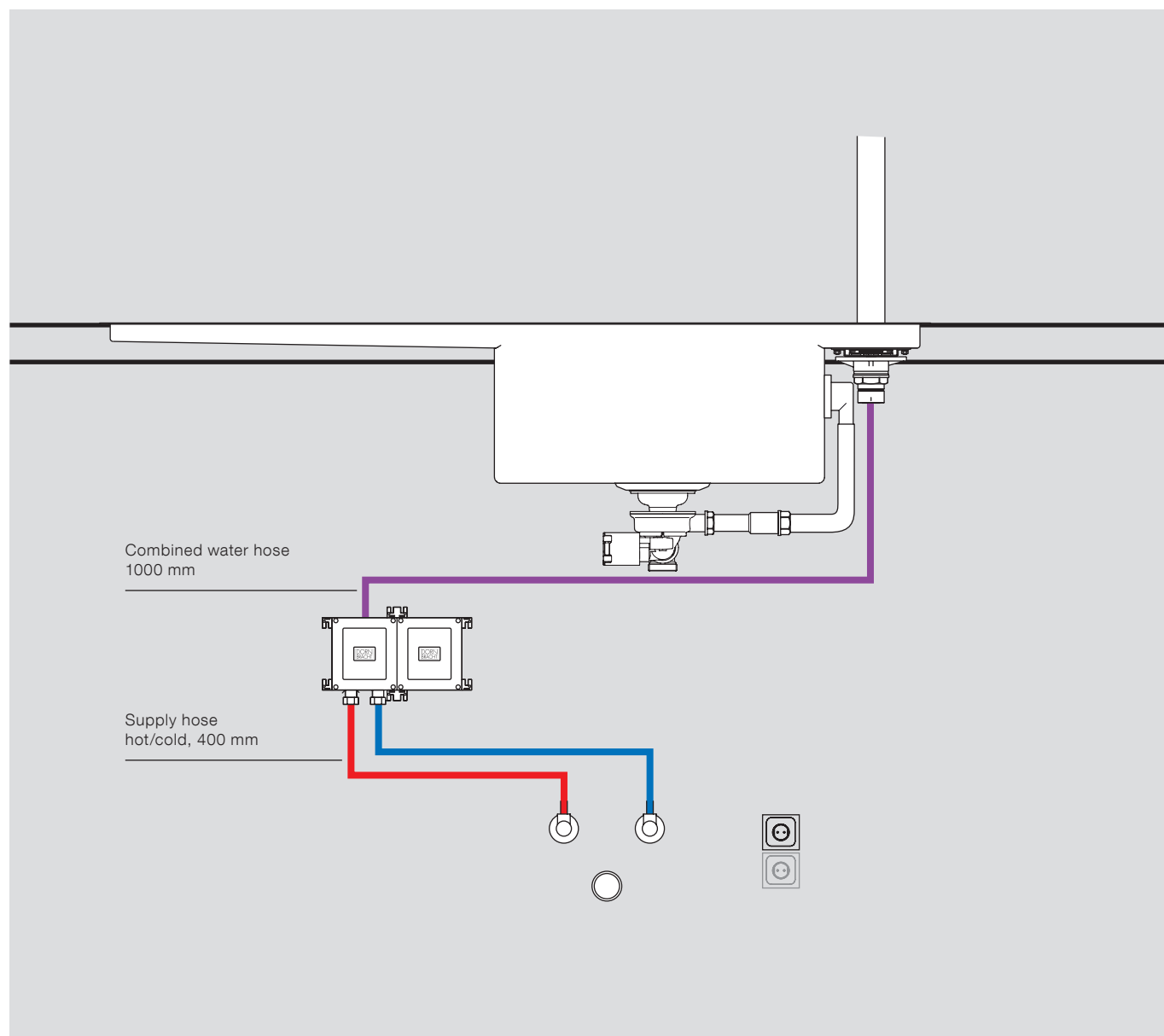
The thickness of the worktop in the sink cutout area must not exceed 50 mm. A relevant cutout template and installation instructions with details for sink mounting are included with eUNIT KITCHEN.

Components



This installation example shows the minimum space requirement for the control unit and connection components.

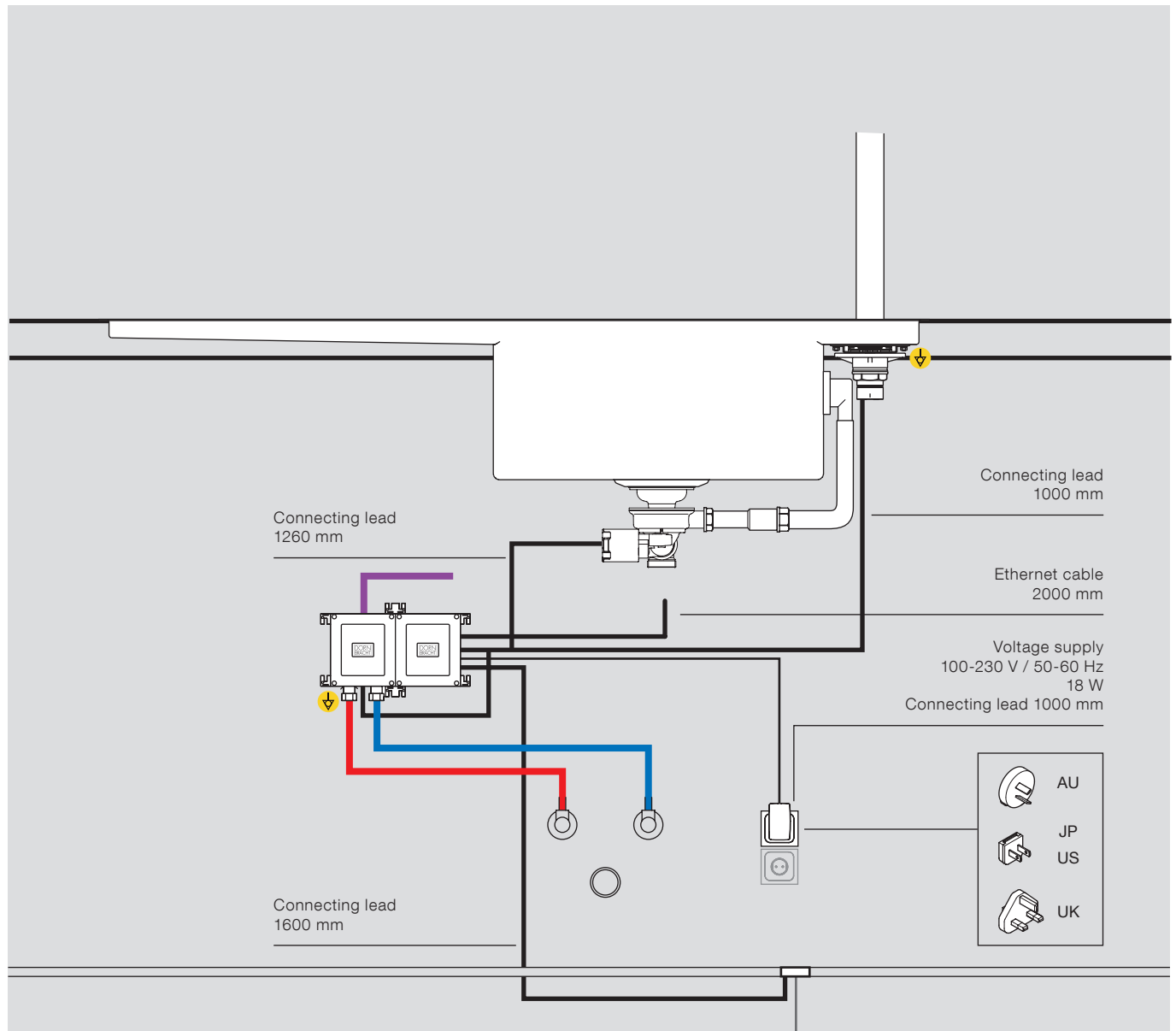
Water installation



Compliance with national requirements for drinking water installations is mandatory.

PLEASE ALSO REFER TO THE PLANNING INFORMATION.

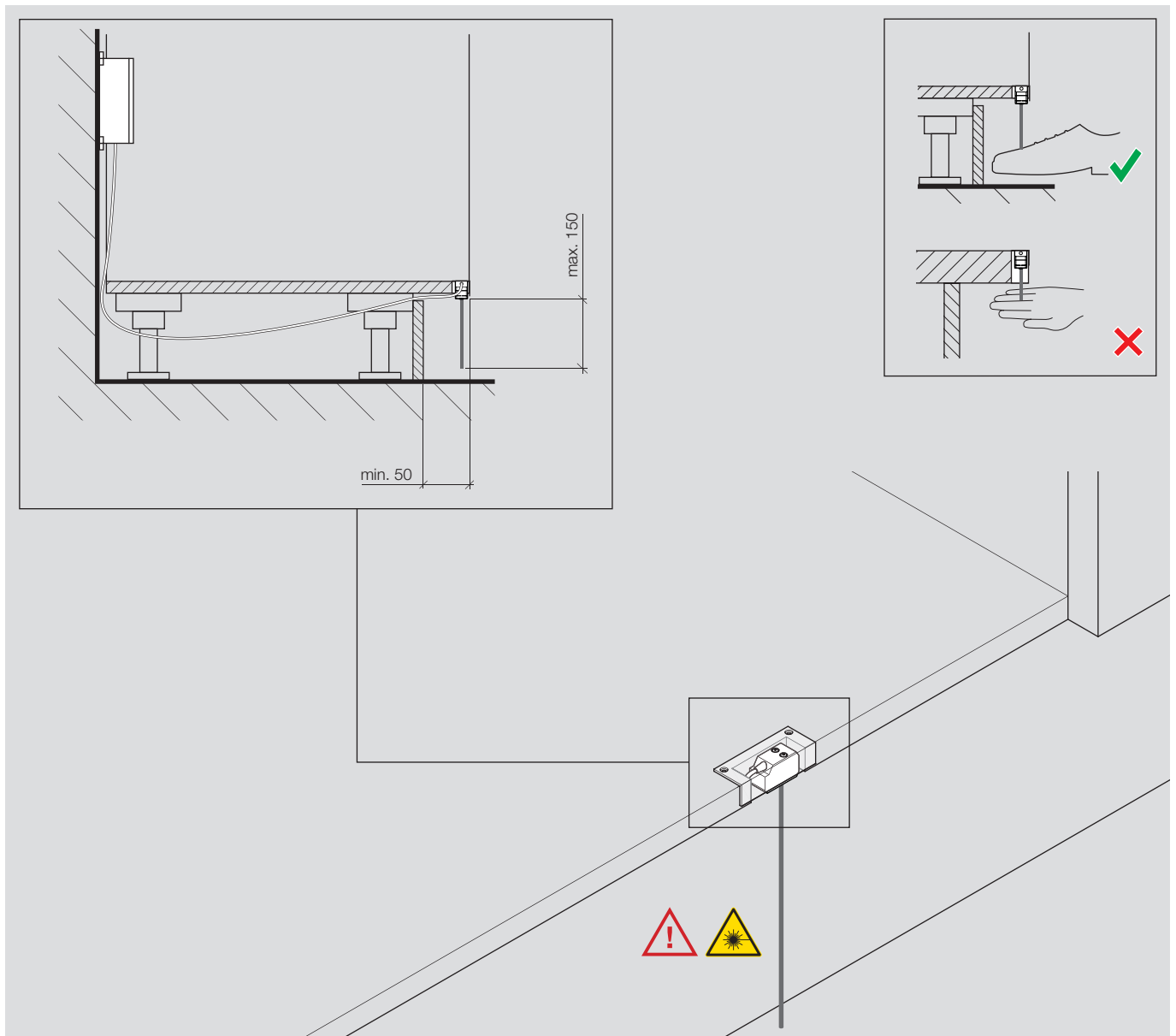
Electrical installation




Compliance with national requirements for electrical installations is mandatory. eUNIT KITCHEN must be connected via a residual current circuit-breaker (rated differential current up to 30 mA). The electronic valve (eVALVE) has a PE terminal, to which the protective earth conductor must be connected and fixed. An uninterruptible power supply (UPS) is recommended. Relevant extension cables are available for the installed connecting leads, if required. The individual components are connected using the "plug-and-play" concept. There is a fixed allocation for the connecting leads and their corresponding connectors.

PLEASE ALSO REFER TO THE PLANNING INFORMATION.

Sensor installation



 The sensor used is a Class 1 laser product, with a very low output (40 μ W for blue light). This laser product meets the requirements of DIN EN 60825-1 / IEC 60825-1:2007. The accessible laser beam is not dangerous under the conditions that might reasonably be anticipated. The laser product must be installed in such a way that the only way to operate it is by using your foot.

Activation

A code is required to activate eUNIT KITCHEN.

The activation code, with precise information about how to proceed, can be obtained via the following link:

www.dornbracht.com/activation

We always recommend obtaining the activation code beforehand and having it with you ready for commissioning.

Planning information

Plumbing

Water supply (hot + cold) 2 x DN 12
A $\leq 100 \mu\text{m}$ pre-filter must be provided by the customer.

Application

eUNIT KITCHEN is not designed for outdoor use.

Water hardness

Recommended water hardness: 5-6 °e

Sink outlet

DN 50 discharge pipe, siphon trap

Electrical

Only original DORNBRAUCH components must be used for installing and activating eUNIT KITCHEN.

The customer must provide the following circuit-breakers and electrical components:
earth-leakage circuit-breaker
socket

Only connect to the electricity supply when the device is voltage-free.

Electrical installation must be carried out by a professional specialist, in accordance with VDE 0100.

Please conform to national statutory regulations, where different.

If a dishwasher and/or other electronic devices are to be used close to eUNIT KITCHEN, we recommend using a multi-gang power socket (fixed mounting).

The thickness of the worktop in the sink cutout area must not exceed 50 mm. A relevant cutout template and installation instructions with details for sink mounting are included with eUNIT KITCHEN. eUNIT KITCHEN must be connected via a residual current circuit-breaker (rated differential current up to 30 mA). The electronic valve (eVALVE) has a PE terminal, to which the protective earth conductor must be connected and fixed. A universal power supply (UPS) is recommended. Relevant extension cables are available for the installed connecting leads, if required. The individual components are connected using the "plug-and-play" concept. There is a fixed allocation for the connecting leads and their corresponding connectors.

Plumbing

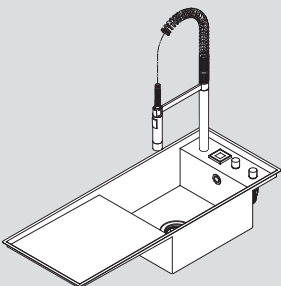
Plumbing

Flow rate at 3 bar flow pressure (max.)	8.0 l/min.
Flow pressure	
Minimum flow pressure	2.5 bar
Maximum flow pressure	4.0 bar
Maximum difference in flow pressure between hot and cold water	1.0 bar
Recommended flow pressure	3.0 bar
Permissible operating temperatures	
Maximum hot water temperature	65 °C
Minimum hot water temperature	50 °C
Cold water temperature range	5-20 °C

Electrical

Voltage supply	
Input voltage	100-240 VAC
Maximum power consumption	18 W
Input frequency	50-60 Hz
Protection rating	IP 20
Control elements (display switch and twist controller)	
Power consumption (sleep mode)	<3 W
Protection rating	IP X4
Maximum ambient temperature	35 °C
Minimum ambient temperature	5 °C
Control unit (with eVALVE)	
Equipotential bonding	1.5 mm ²
Protection rating	IP 66
Maximum ambient temperature	40 °C
Minimum ambient temperature	5 °C
Mark	CE

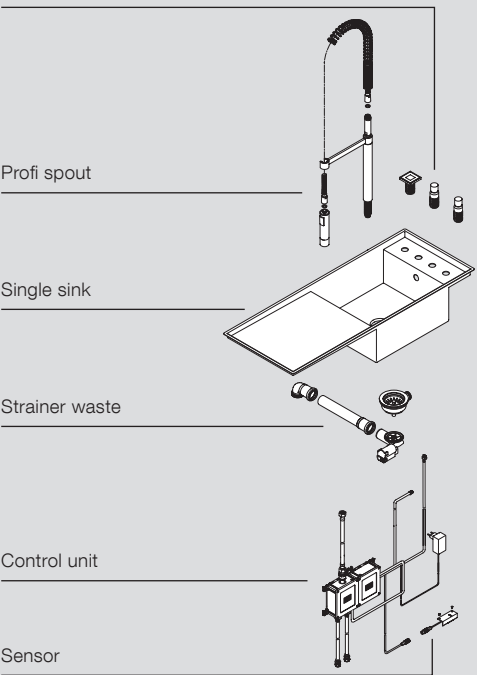
eUnit Kitchen



eUnit Kitchen
electronic functional unit, sink-integrated

platinum matt 41 271 875-06

- single sink with drainer and lowered tap hole bank
- Profi spout
- electronic control elements (display switch and 2 twist controllers), pre-fitted
- ready-to-use control unit for wall mounting
- electronic strainer waste
- foot sensor for starting and stopping the flow of water, contact-free



Control elements, pre-fitted

Profi spout

Single sink

Strainer waste

Control unit

Sensor

Additional downloads:

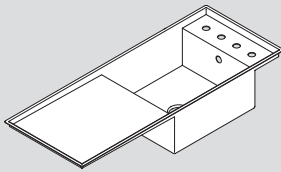
Installation instructions for eUNIT KITCHEN, sink integration (01 03 12 875 00)

Installation instructions for single sink (01 03 87 000 00)

Template for single-sink (01 03 87 000 31)

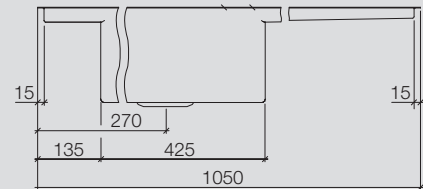
We reserve the right to change designs, product ranges and technical specifications without prior notice.

Single sink

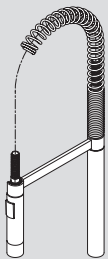


Single sink with drainer and lowered tap hole bank

- 1110 x 405 mm
- stainless steel, material thickness 1.5 mm
- top-mounted or flush-mounted options
- complete pop-up waste and overflow set with valve bridge
- 3 1/2" lockable strainer basket valve (for use with electronic strainer waste)

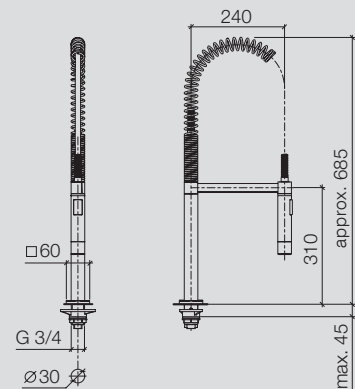


Spout



Profi spout

- 240 mm projection
- 360° spout pivot
- laminar and spray flow
- max. flow rate 8 l/min. at 3 bar flow pressure
- intrinsic protection against back flow
- lead-free
- G1/2 x G1/2 x 1000 mm pressure hose

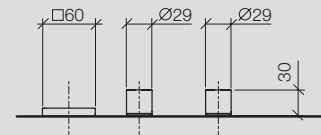


Control elements

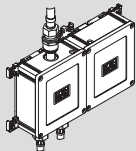


Electronic control elements, pre-fitted

- display switch with electronic control for water flow, strainer waste and dispensing, 60 x 60 mm
- 2 x twist controllers with electronic control for temperature and volume
- preset temperature and volume
- button lock for cleaning
- pause function
- thermal disinfection
- update capability
- service indications
- IP X4
- connecting lead for electronic control elements, 1000 mm



Control unit

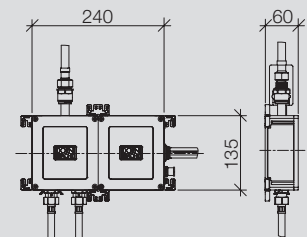


Control unit

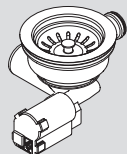
- ready-to-use for wall mounting
- control panel
- 100 - 230 V, 50 - 60 Hz, 18 W plug-in power supply, incl. country-specific adapter set
- connecting lead for plug-in power supply, 1000 mm
- eVALVE, electronic valve for adjusting water temperature and volume
- diagnostic capability
- update capability
- supports thermal disinfection
- automatic scald protection
- installation max. 1000 mm away from spout (direct feedback for changes in temperature and volume)
- IP 66

Connections

- 2 x G1/2 x G1/2 x 400 mm pressure hose
- 2x angle valve with filter



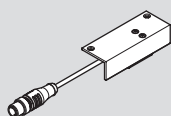
Strainer waste



Electronic strainer waste

- connecting lead for electronic strainer waste, 1260 mm

Sensor



Foot sensor for starting and stopping the flow of water, contact-free

- size of cutout 50 x 20 mm
- holder used for attachment
- Class 1 laser product (meets the requirements of DIN EN 60825-1 / IEC 60825-1:2007)
- connecting lead for foot sensor, 1600 mm

Planning advice

Use this checklist to verify that you have all the information you need from your consultation. The following are particularly important:

Plumbing

- Supply pipes → hot + cold water DN 12
- Calculate storage capacity on an individual basis
- Cold water temperature range 5-20 °C
- Maximum hot water temperature 60 °C
- Minimum hot water temperature 50 °C
- Clarify water hardness → recommended water hardness 5-6 °e
- Pressure range 2.5 - 4.0 bar → recommended flow pressure 3.0 bar
- Maximum difference in flow pressure between hot and cold water: 1.0 bar
- Pre-seal provided in supply pipes
- Dirty water filter ≤ 100 µm
- Calculate discharge capacity on an individual basis, taking all components (dishwasher) into account → recommendation DN 50

Electrical

- Equipotential bonding
- NYM cable 3 x 1.5 mm² (socket)
- If required: multi-gang power socket (for connecting additional electronic devices)
- Individual protection by 30 mA earth-leakage circuit breakers
- Safety cut-out B 16 A
- VDE 0100-compliant installation, please conform to national statutory regulations where different

Date:

Signature of Kitchen Partner

.....

.....

Rough-in

The following are particularly important:

Plumbing

- Checking hot and cold water supply pipes
- Rinsing pipes
- Checking the application for leaks

Electrical

- Equipotential bonding
- Individual protection by 30 mA earth-leakage circuit-breakers
- Safety cut-out B 16 A
- Electrical installation must be carried out by a professional specialist in accordance with VDE 0100 and comply with national statutory regulations, where different

Other trades

Please check the work of other trades at regular intervals.

Date:

Signature of Kitchen Partner

.....

.....

Europe

DE	Dornbracht Hotline Technische Beratung E-Mail tservice@dornbracht.de	Tel. +49 (0)2371 433 480 Fax +49 (0)2371 433 175
BE, LU	Gils & Gils BVBA E-Mail admin@gilsandgils.be	Tel. +32 (0)3 235 636 6 +32 (0)3 235 252 1 Fax +32 (0)3 235 79 99
CH	Dornbracht Schweiz AG	Tel. +41 (0)62 787 20 30
ES	Dornbracht España S.L.	Tel. +34 93 272 391 0
FR	Dornbracht France SARL	Tel. +33 (0)1 40 21 10 70
GR	Klimatechniki S.A.	Tel. +30 (210)81 60 061
IT	Dornbracht Italia s.r.l.	Tel. +39 02 81 83 43 1
LT, EE, LV	Arunas Jazukevicius	Tel. +370 686 303 13
NL	Dornbracht Nederland B.V.	Tel. +31 (0)10 5243400
PL	Honorata Broniowska	Tel. +48 (0)95 728 261 7
PT	G-Design Edificio Ambiente	Tel. +351 21 949 82 10
RO, BG, MD	Reallize Consult SRL	Tel. +40 21 528 03 91 Mob. +40 722 654 654
RU, BY	OSA GmbH & Co. KG	Tel. +7 (499)241 8259
DK, SE, NO, FI, IS	Dornbracht Nordic A/S	Tel. +45 50 84 54 00
SRB, BIH, MNE, MK, HR	DOZEN Stars d.o.o.	Tel. +381 (11)22 58 785
AM, AZ, GE, KG, TJ, TR, TM, UZ, Northern Cyprus	Dornbracht Turkey/Central Asia	Tel. +90 (0)212 284 9495
UA	Lesia Khelemendyk	Tel. +38 (0)44 244 7682
UK, IE	Dornbracht UK Ltd.	Tel. +44 (0)2476 717 129

Central Europe

AT, CZ, SK, HU, SI	Dornbracht Zentraleuropa GmbH	Tel. +43 (0)2236 677360
CZ, SK	agentura kramárová	Mob. +420 724 207 528
HU	Z-A DESIGN Stúdió Kft.	Tel. +36 26 381 553 Mob. +36 70 775 0954

Americas

US, CA, Central America, South America	Dornbracht Americas Inc.	Tel. +1 800 774 1181 +1 (770) 564 3599
Mexico	German Concepts S.A. de C.V. Dornbracht Americas Inc.	Tel. +52 (55)53 43 84 50 Tel. +1 770 564-3599

Asia Pacific

HK/MAC, JP, KR, TW, TH, VN, NZ, AUS	Dornbracht Asia Pacific Ltd.	Tel. +852 2505 6254
SG, ML, ID, PH	Aloys F. Dornbracht GmbH & Co. KG Representative Office (RO) Singapore	Tel. +65 6823 6813
CN	Dornbracht (Shanghai) Commercial Ltd.	Tel. +86 (0)21 6360 6930 +86 (0)21 5150 6775
IN	Dornbracht India Private Ltd.	Tel. +91 22 42323900

Middle East

AE, BH, EG, IQ, IR, JO, KW, LB, OM, PK, QA, SA, SY, YE	Dornbracht International Holding GmbH (Rep Office)	Tel. +971 4 380 6611
LB	Naji Kanafani & Fils	Tel. +961 1 307 400

Aloys F. Dornbracht GmbH & Co. KG Armaturenfabrik, Köbbingser Mühle 6, D-58640 Iserlohn
Tel. +49(0)2371 433-0, Fax +49(0)2371 433-232, mail@dornbracht.de, dornbracht.com

Dornbracht Group

Premium Solutions for Interior Architecture