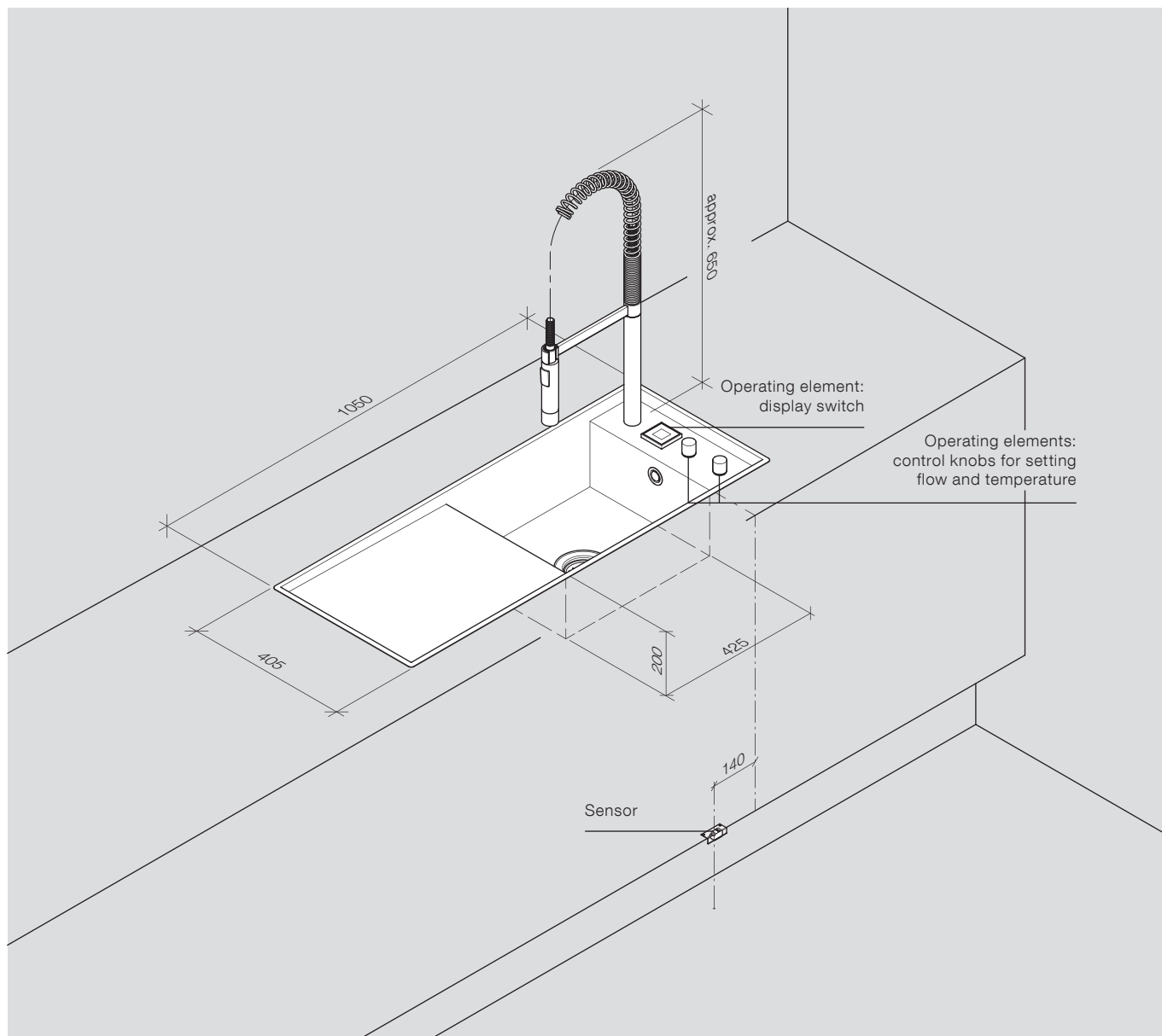




# Dornbracht eUnit Kitchen, Sink-Integrated Planning Guide

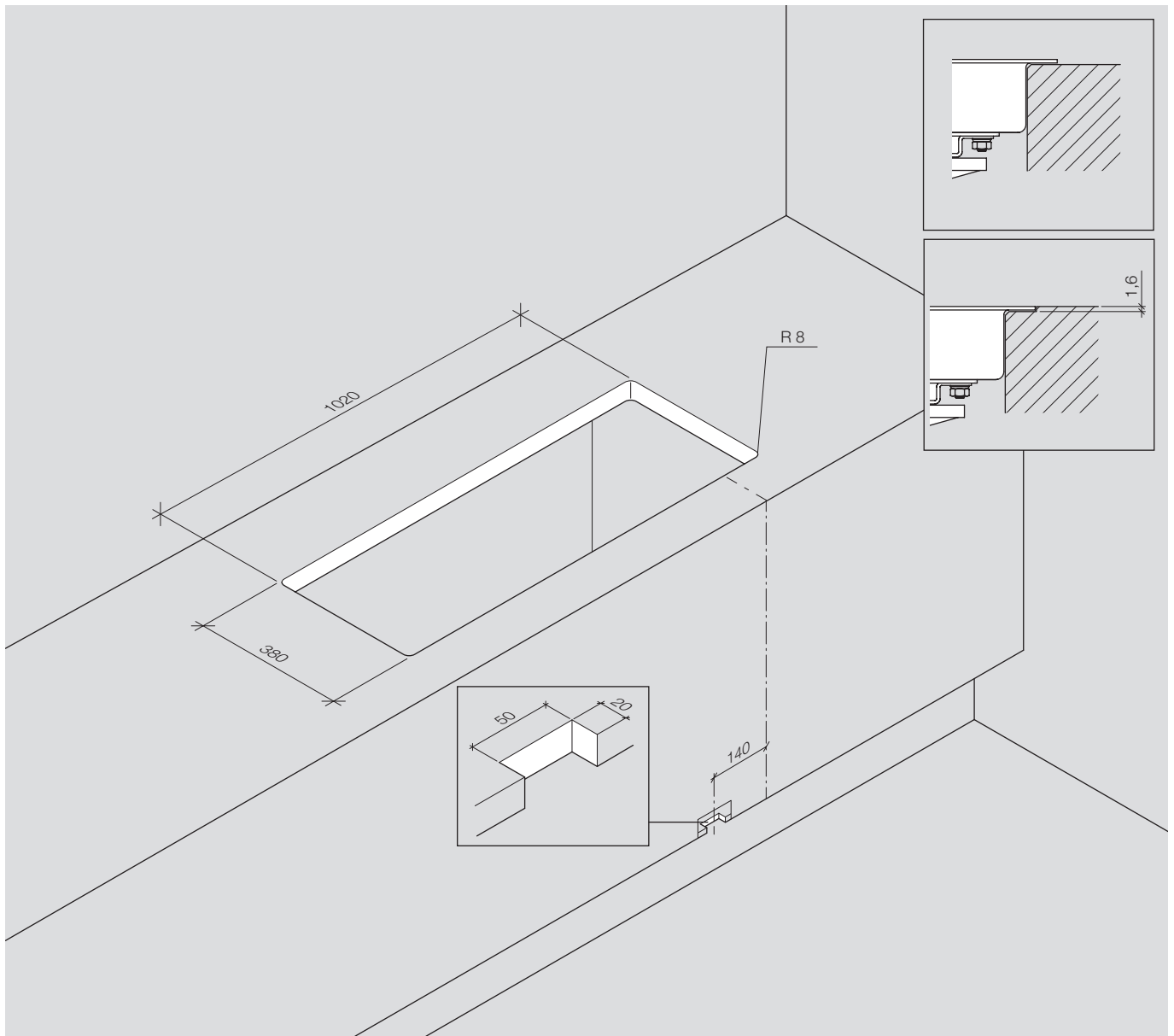
- 02 Placement
- 04 Components
- 05 Assembly
- 08 Activation
- 09 Data and Standards
- 11 Product Overview
- 15 Checklists

# Placement



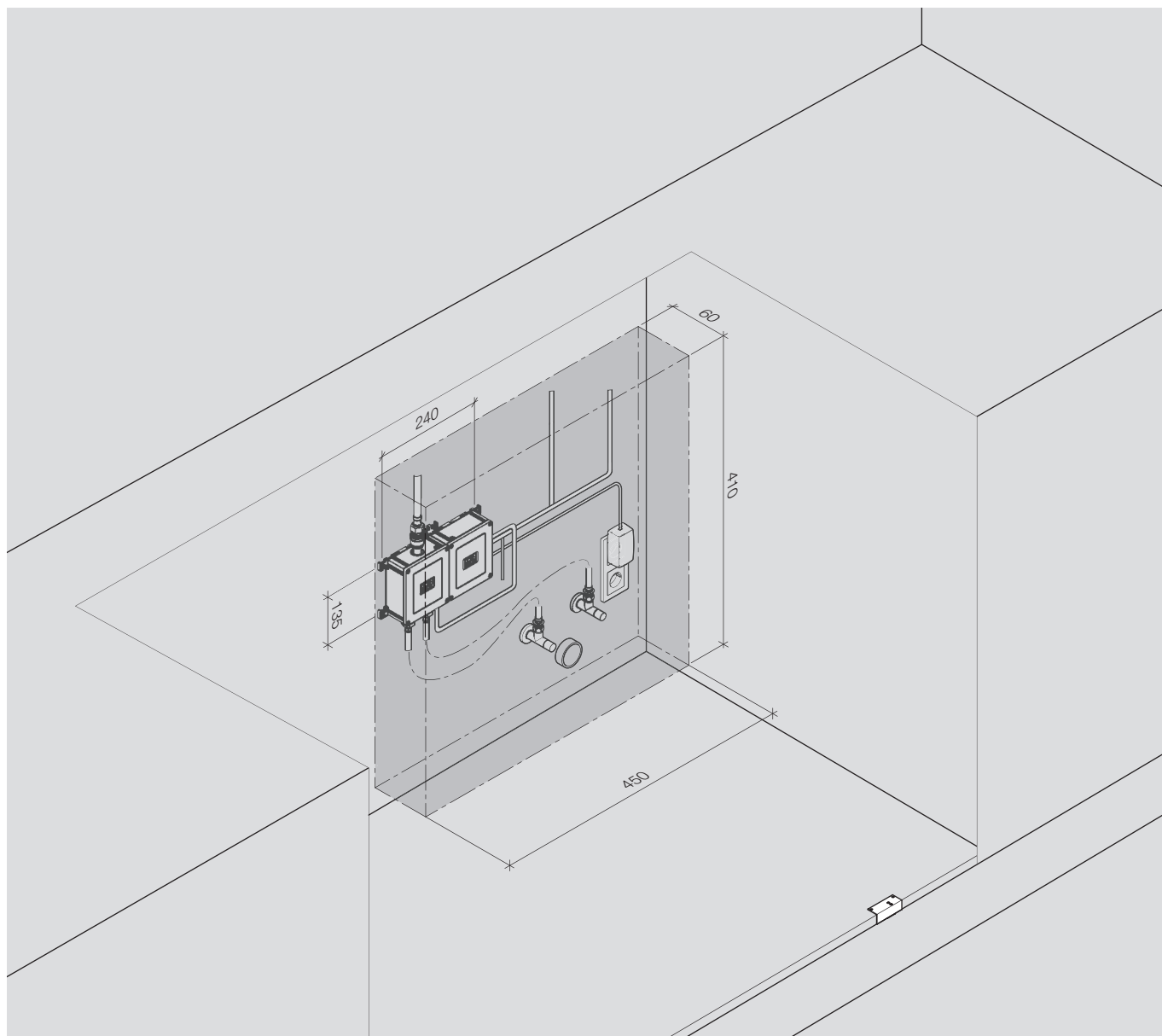
The eUNIT KITCHEN (sink-integrated) is a predefined product configuration. The electronic operating elements have already been preassembled on the single sink.

# Cut-out



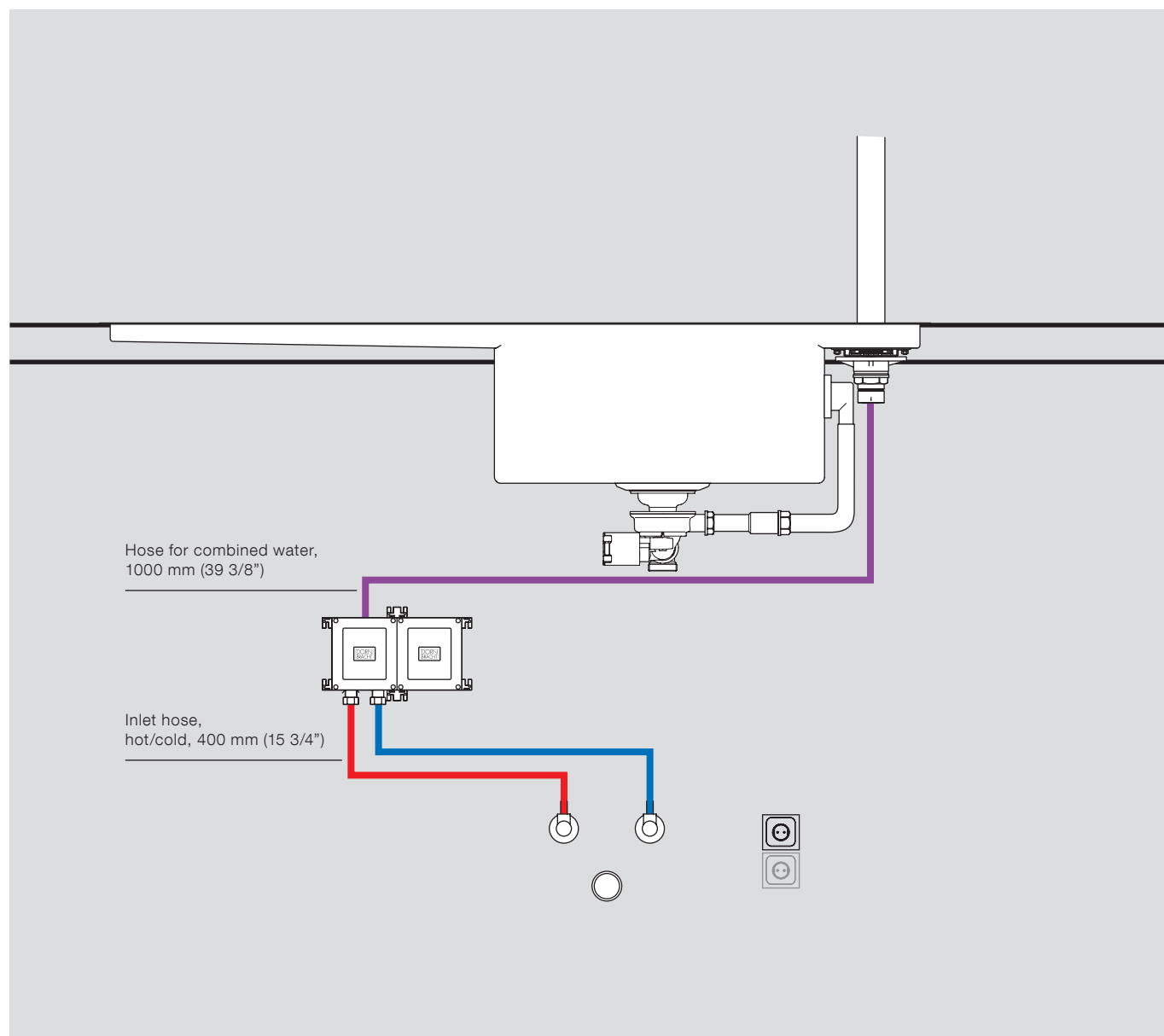
The worktop should have a maximum thickness of 50 mm (1 7/8") in the area of the sink cut-out. A corresponding cut-out template, as well as the installation instructions with detailed data for installing the sink, are included with the eUNIT KITCHEN.

# Components



This installation example shows the minimum space required for the control unit and connecting components.

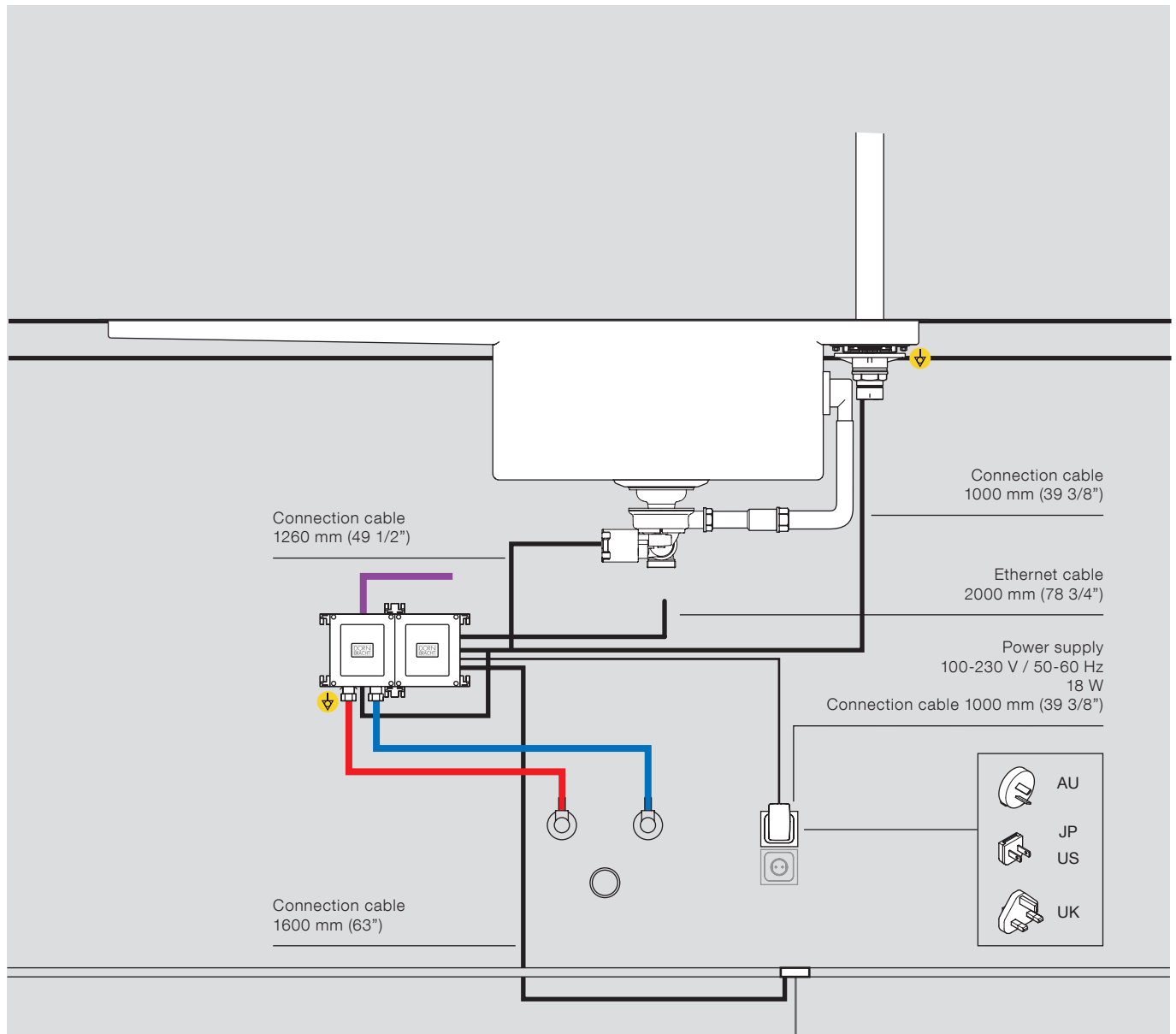
# WATER INSTALLATION



The national regulations regarding water installation are mandatory.

**ALSO SEE THE NOTES REGARDING PLANNING**

# Electrical system installation

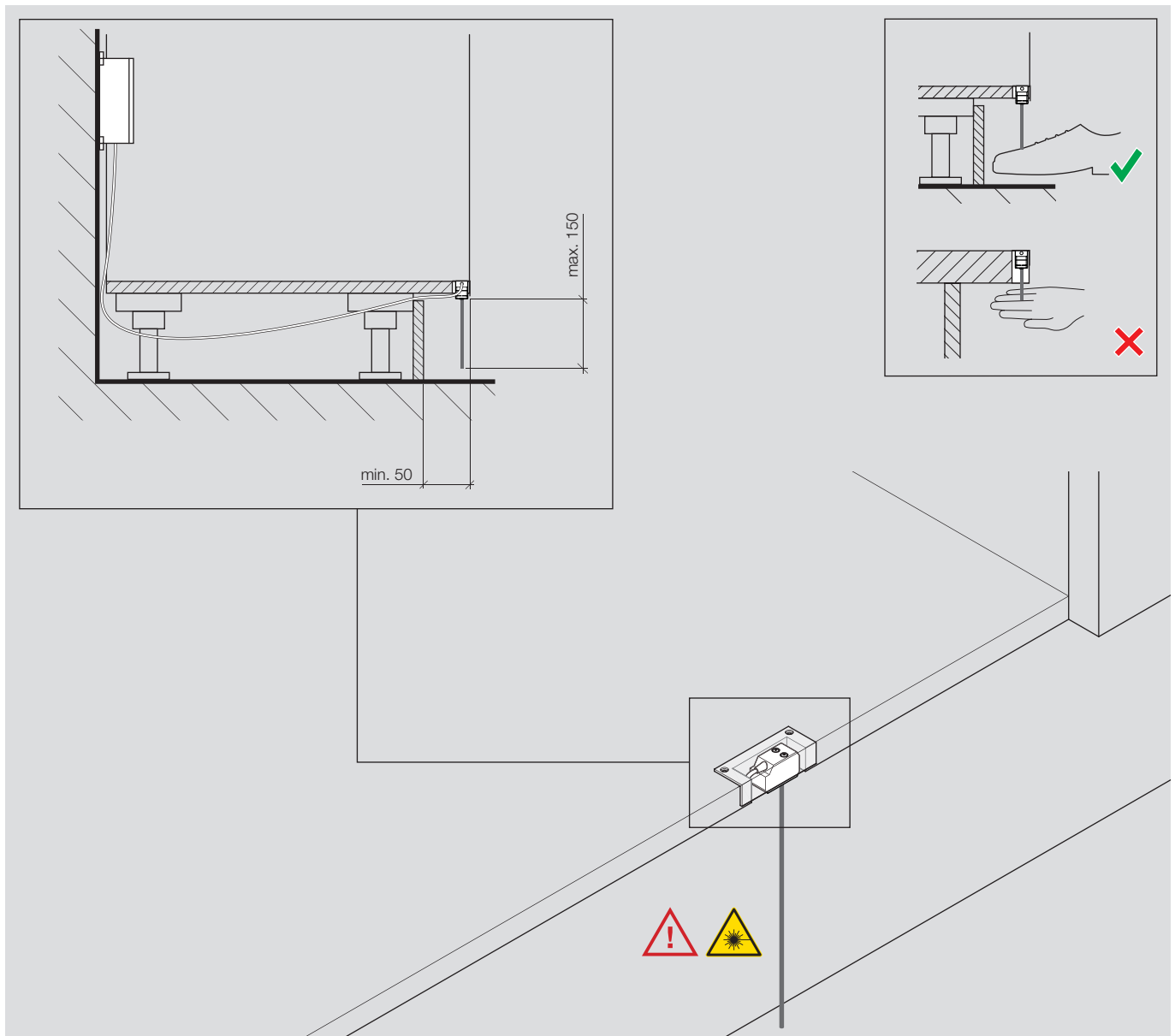


The national regulations regarding electrical system installation are mandatory.

The eUNIT KITCHEN is to be connected using a residual current device (up to 30 mA rated residual current). The electronic valve (eVALVE) has a ground wire connection to which the protective conductor must be connected and permanently installed. An uninterruptible power supply (UPS) is recommended. If required, appropriate extensions are available for the connecting cables used. The individual components are connected using the plug-and-play principle. The connection cables and corresponding connections have specific assignments.

**ALSO SEE THE NOTES REGARDING PLANNING**

## Sensor installation



The sensor that is used is a Class 1 laser product, which has a very low output (40  $\mu$ W for blue light). The laser product complies with EN 60825-1 / IEC 60825-1:2007. Subject to conditions which are reasonably foreseeable, the accessible laser radiation is not dangerous. The laser product is to be mounted so that it can be solely foot-activated.

# Activation

The eUNIT KITCHEN is activated by an unlock code.

You can call up the unlock code, with detailed information on the unlock procedure, using the following link:

[www.dornbracht.com/activation](http://www.dornbracht.com/activation)

Generally, we recommend that you obtain the unlock code before commissioning and take it with you.



# Notes regarding planning

## Plumbing

A pre-filter with a mesh of  $\leq 100 \mu\text{m}$  is to be provided by the user.

### Area of application

The eUNIT KITCHEN is not designed for outdoor use

### Water hardness

Recommended water hardness: 0.34 - 0.39 ppm  $\text{CaCO}_3$ .

### Rinse drainage

DN 50 drain pipe, siphon with dishwasher connection.

## Electrical system

The eUNIT KITCHEN is to be installed and put into operation using only original DORNBRACHT components. The following circuit breakers and electrical components are to be provided by the customer:

- protective circuit breaker
- socket

Make electrical connections only when the components are not under power. Electrical installation is to be carried out by an electrician according to VDE 0100. Divergent national regulations are to be heeded.

When using a dishwasher and/or other electronic devices in the immediate vicinity of the eUNIT KITCHEN, we recommend using a power strip (built-in).

The worktop should have a maximum thickness of 50 mm (1 7/8") in the area of the sink cut-out. A corresponding cut-out template, as well as the installation instructions with detailed data for installing the sink, are included with the eUNIT KITCHEN. The eUNIT KITCHEN is to be connected using a residual current device (up to 30 mA rated residual current). The electronic valve (eVALVE) has a ground wire connection to which the protective conductor must be connected and permanently installed. An uninterruptible power supply (UPS) is recommended. If required, appropriate extensions are available for the connecting cables used. The individual components are connected using the plug-and-play principle. The connection cables and corresponding connections have specific assignments.

# Technical data

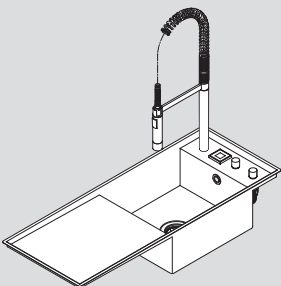
## Plumbing

Flow rate at a flow pressure of 45 psi (max.)	2.1 gpm
<b>Flow pressure</b>	
Minimum flow pressure	35 psi
Maximum flow pressure	60 psi
Maximum flow pressure difference between hot and cold water	15 psi
Recommended flow pressure	45 psi
<b>Permitted operating temperatures</b>	
Maximum hot water temperature	150° F
Minimum hot water temperature	120° F
Cold water temperature range	41-68° F

## Electrical system

<b>Power supply</b>	
Input voltage	100-240 VAC
Maximum power consumption	18 W
Input frequency	50-60 Hz
Degree of protection	IP 20
<b>Operating elements (display switch and control knobs)</b>	
Power consumption (Sleep mode)	<3 W
Degree of protection	IP X4
Maximum ambient temperature	95° F
Minimum ambient temperature	41° F
<b>Control unit (with eVALVE)</b>	
Equipotential bonding	1.5 mm <sup>2</sup>
Degree of protection	IP 66
Maximum ambient temperature	104° F
Minimum ambient temperature	41° F
Label	CE

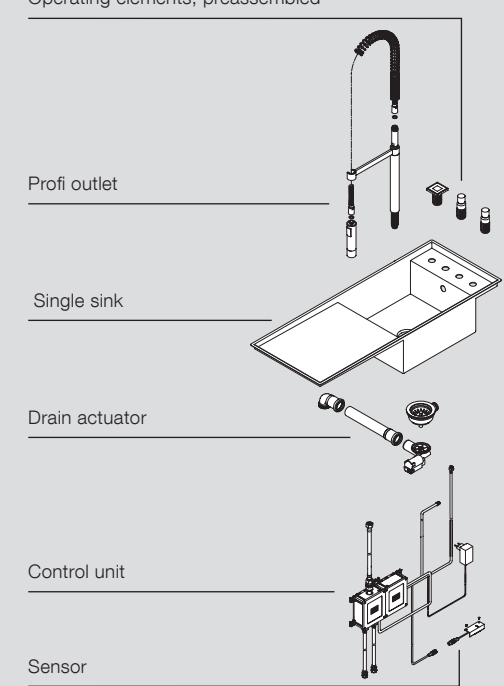
# eUnit Kitchen



**eUnit Kitchen**  
Electronic functional unit, sink-integrated

matt platinum 41 271 875-06

- Single sink with drainer and recessed tap hole surface
- Profi outlet
- Electronic operating elements (display switch and 2 control knobs), preassembled
- Ready-fit control unit for wall assembly
- Electronic drain actuator
- Foot sensor for starting and stopping the water flow without contact



Operating elements, preassembled

Profi outlet

Single sink

Drain actuator

Control unit

Sensor

Additional downloads:

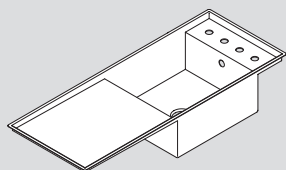
Installation instructions, eUNIT KITCHEN, sink-integrated (01 03 12 875 00)

Installation instructions, single sink (01 03 87 000 00)

Template, single sink (01 03 87 000 31)

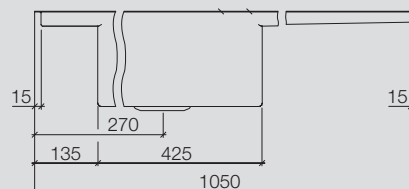
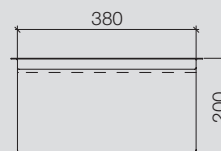
Subject to changes to models, programs and technology without notice; errors reserved.

# Single sink

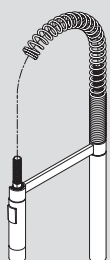


### Single sink with drainer and recessed tap hole surface

- 1110 x 405 mm (43 3/4" x 16")
- Stainless steel, material thickness = 1.5 mm
- Superjacent or flush-mounted installation possible
- Outlet and overflow fitting, including valve crosshead
- 3 1/2" lockable perforated basket valve (for use with the electronic drain actuator)

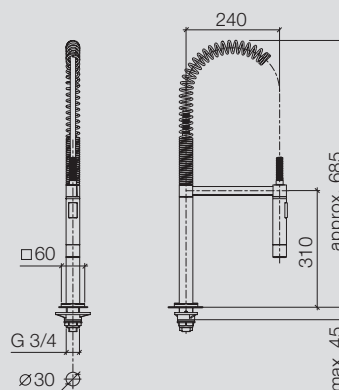


# Outlet



### Profi outlet

- Size: 240 mm (9 1/2")
- Outlet swivelable by 360°
- Laminar and shower jet
- Max. flow rate = 2.1 gpm at a flow pressure of 45 psi
- Intrinsically safe against return flow
- Low-lead compliant
- Pressure hose, 127 x 127 x 1000 mm (1/2" x 1/2" x 39 3/8")

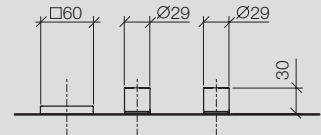


# Operating elements

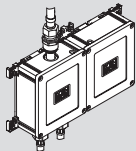


## Electronic operating elements, preassembled

- Display switch with electronic control for water flow, drain and dosage, 60 x 60 mm (2 3/8" x 2 3/8")
- 2 control knobs with electronic control for temperature and volume
- Preset temperature and volume
- Key lock for cleaning
- Pause function
- Thermal disinfection
- Update capability
- Service displays
- IP X4
- Connecting cable for electronic operating elements, 1000 mm (39 3/8")



# Control unit

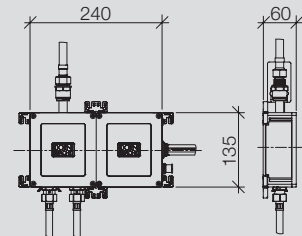


## Control unit

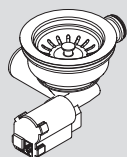
- Ready-fit for wall assembly
- System control
- Plug-in power supply, 100-230 V, 50-60 Hz, 18 W, incl. country-specific adapter set
- Connecting cable for plug-in power supply, 1000 mm (39 3/8")
- eVALVE electronic valve for regulating the water temperature and volume
- Diagnostic capability
- Update capability
- Supports thermal disinfection
- Automatic scalding protection
- Installation no more than 1000 mm (39 3/8") from the outlet (direct feedback if temperature or volume changes)
- IP 66

## Connecting material

- 2 pressure hoses, 1/2" IT x 1/2" IT x 400 mm (15 3/4")
- 2 angle valves with filter



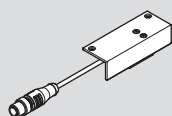
## Drain actuator



### Electronic drain actuator

- Connecting cable for electronic drain actuator, 1260 mm (49 5/8")

## Sensor



### Foot sensor for starting and stopping the water flow without contact

- Cut-out dimensions = 50 x 20 mm
- Attached using holder
- Class 1 laser product (complies with EN 60825-1 / IEC 60825-1:2007)
- Connecting cable for foot sensor, 1600 mm (63")

# Planning advice

The purpose of this checklist is to let you ensure that the content of your consultations is complete. Please note the following points in particular:

## Plumbing

- Connecting lines → CW + HW DN 12
- The tank size is to be calculated individually
- Cold water temperature range = 41-68° F
- Maximum hot water temperature = 140° F
- Minimum hot water temperature = 120° F
- Clarify water hardness → recommended water hardness = 0.34 - 0.39 ppm CaCO<sub>3</sub>
- Pressure range = 35-60 psi → recommended flow pressure = 45 psi
- Maximum flow pressure difference between hot and cold water = 15 psi
- Preliminary seal provided in the connecting lines
- Wastewater filter ≤100µm
- Individually calculate outflow capacity, taking all components into consideration (dishwasher) → recommendation = DN 50

## Electrical system

- Equipotential bonding
- NYM line, 3 x 1.5 mm<sup>2</sup> (socket)
- If required: power strip (for connecting other electronic devices)
- Individual protection using protective circuit breaker, 30 mA
- Circuit breaker B 16 A
- Installation according to VDE 0100; divergent national regulations are to be heeded

Date:

Signature of kitchen partner

.....

.....

# Basic installation

Please note the following points in particular:

## Plumbing

- Check the cold and hot water line connections
- Flush the pipeline
- Check the application for leaks

## Electrical system

- Equipotential bonding
- Individual protection using protective circuit breaker, 30 mA
- Circuit breaker B 16 A
- Electrical installation is to be carried out by an electrician according to VDE 0100; divergent national regulations are to be heeded

## Other trades

Please check the work of other trades at regular intervals.

Date:

Signature of kitchen partner

.....

.....



## Europe

DE	Dornbracht Hotline Technische Beratung E-Mail tservice@dornbracht.de	Tel. +49 (0)2371 433 480 Fax +49 (0)2371 433 175
BE, LU	Gils & Gils BVBA E-Mail admin@gilsandgils.be	Tel. +32 (0)3 235 636 6 +32 (0)3 235 252 1 Fax +32 (0)3 235 79 99
CH	Dornbracht Schweiz AG	Tel. +41 (0)62 787 20 30
ES	Dornbracht España S.L.	Tel. +34 93 272 391 0
FR	Dornbracht France SARL	Tel. +33 (0)1 40 21 10 70
GR	Klimatechniki S.A.	Tel. +30 (210)81 60 061
IT	Dornbracht Italia s.r.l.	Tel. +39 02 81 83 43 1
LT, EE, LV	Arunas Jazukevicius	Tel. +370 686 303 13
NL	Dornbracht Nederland B.V.	Tel. +31 (0)10 5243400
PL	Honorata Broniowska	Tel. +48 (0)95 728 261 7
PT	G-Design Edificio Ambiente	Tel. +351 21 949 82 10
RO, BG, MD	Reallize Consult SRL	Tel. +40 21 528 03 91 Mob. +40 722 654 654
RU, BY	OSA GmbH & Co. KG	Tel. +7 (499)241 8259
DK, SE, NO, FI, IS	Dornbracht Nordic A/S	Tel. +45 50 84 54 00
SRB, BIH, MNE, MK, HR	DOZEN Stars d.o.o.	Tel. +381 (11)22 58 785
AM, AZ, GE, KG, TJ, TR, TM, UZ, Northern Cyprus	Dornbracht Turkey/Central Asia	Tel. +90 (0)212 284 9495
UA	Lesia Khelemendyk	Tel. +38 (0)44 244 7682
UK, IE	Dornbracht UK Ltd.	Tel. +44 (0)2476 717 129

## Central Europe

AT, CZ, SK, HU, SI	Dornbracht Zentraleuropa GmbH	Tel. +43 (0)2236 677360
CZ, SK	agentura kramářová	Mob. +420 724 207 528
HU	Z-A DESIGN Stúdió Kft.	Tel. +36 26 381 553 Mob. +36 70 775 0954

## Americas

US, CA, Central America, South America	Dornbracht Americas Inc.	Tel. +1 800 774 1181 +1 (770) 564 3599
Mexico	German Concepts S.A. de C.V. Dornbracht Americas Inc.	Tel. +52 (55)53 43 84 50 Tel. +1 770 564-3599

## Asia Pacific

HK/MAC, JP, KR, TW, TH, VN, NZ, AUS	Dornbracht Asia Pacific Ltd.	Tel. +852 2505 6254
SG, ML, ID, PH	Aloys F. Dornbracht GmbH & Co. KG Representative Office (RO) Singapore	Tel. +65 6823 6813
CN	Dornbracht (Shanghai) Commercial Ltd.	Tel. +86 (0)21 6360 6930 +86 (0)21 5150 6775
IN	Dornbracht India Private Ltd.	Tel. +91 22 42323900

## Middle East

AE, BH, EG, IQ, IR, JO, KW, LB, OM, PK, QA, SA, SY, YE	Dornbracht International Holding GmbH (Rep Office)	Tel. +971 4 380 6611
LB	Naji Kanafani & Fils	Tel. +961 1 307 400

Aloys F. Dornbracht GmbH & Co. KG Armaturenfabrik, Köbbingser Mühle 6, D-58640 Iserlohn  
Tel. +49(0)2371 433-0, Fax +49(0)2371 433-232, mail@dornbracht.de, dornbracht.com

Dornbracht Group

Premium Solutions for Interior Architecture