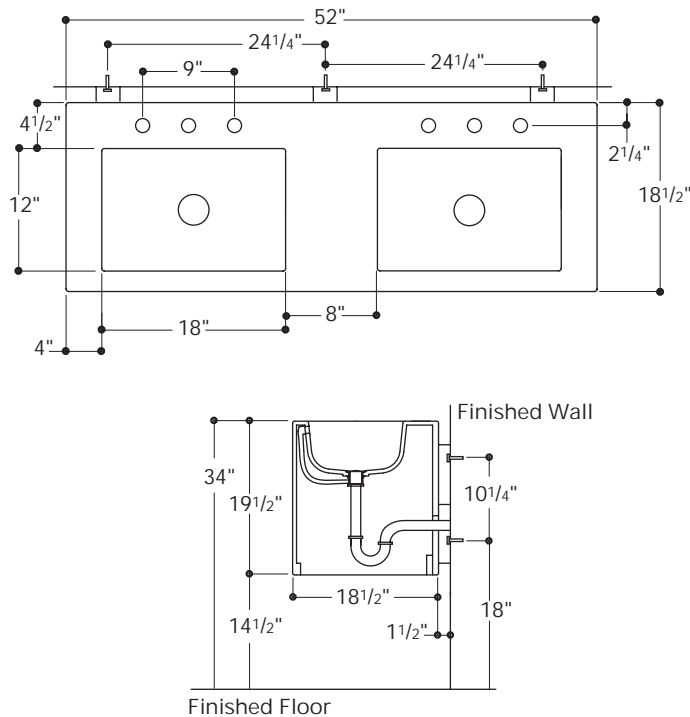


**PTLV52**



2. Using the template provided, mark and drill 6 holes for securing the 3 Corian® mounting brackets.
  3. Place the Corian® mounting brackets against the wall then secure them to the wall using the 6 lag screws provided.
  4. Verify that the brackets are level and plumb; readjust or shim(not included) if necessary.
  5. Attach an aluminum rail to each Corian® mounting bracket using the 6 machine bolts provided.
  6. Verify that the rails are level and plumb; readjust as required.
  7. Dry fit the sink onto the brackets and verify that the sink is level and supported.
  8. Install the drains and faucets. Note that the overflow assembly must be installed onto the flange prior to tightening the drain body up against the overflow collar.
  9. Remove the sink and apply silicone to the top and front surfaces of the brackets.
  10. Place the sink onto the brackets while making sure the silicone does not get wiped off as the sink is being installed.
  11. Verify that the sink is stable, level and plumb; readjust or shim as required.
- If further assistance is required, please contact Product Support at 1-800-927-2120 (8am-7pm EST)

**IMPORTANT:**

- Blocking in the wall to secure sink is mandatory.
- To ensure this product is installed properly, you must read and follow these guidelines.
- The owner/user of the sink must keep this information for future reference.
- Be sure your installation conforms to local codes.
- Refer to the specification and assembly drawings attached.
- Inspect this product to assure you have all parts required for proper installation.
- Do NOT use putty during this installation.

**ROUGH IN:**

- IMPORTANT: 2x6 blocking to secure the sink to the wall is mandatory.
1. Install 2x6 blocking in the wall at the proper locations to make sure the 6 mounting bolts can be threaded into the blocking.

These guidelines have been prepared for the professional contractor to aid in the installation of: **MODERN DOUBLE WALL MOUNTED LAVATORY (PTLV52)**

6/05

All dimensions are based on original specifications and are subject to change and variation. Please consult your Design Associate for current specifications.

W A T E R W O R K S®