

THIS DRAWING IN DESIGN AND DETAILS IS THE PROPERTY OF MATEL A.S. COPYRIGHT AND RIGHT OF DESIGN OR INVENTION AND THIS DRAWING OR ANY PORTION THEREOF ARE RESERVED BY MATEL A.S.

SEREL

www.serel.com.tr

MATEL Hammadde San. ve Tic. A.S.
SEREL Seramik Fabrikası

Ataturk Cad. No:14
OSB 45030, Manisa, TURKEY

PARTNAME / DESCRIPTION:

Seramik ventil kapagi grubu (PL Vesiyon)

PROJECT:

Seramik ventil Kapagi (PL versiyon)

PART CODE:

MATERIAL (& COVERING):

WEIGHT:

APPLICABLE STANDARDS

TS-EN

	by	date
DESIGN	MME	15.08.2014
3D MODEL	RD	15.08.2014
DRAFT	RD	15.08.2014
CHECK	AS	15.08.2014
APPROVED	ZD	15.08.2014

DO NOT SCALE DRAWING

ALL DIMENSIONS IN MILLIMETERS
DIMENSIONING AND TOLERANCING PER
ISO129 & ISO406

FIRST ANGLE PROJECTION

SHEET

SCALE



A4 nts

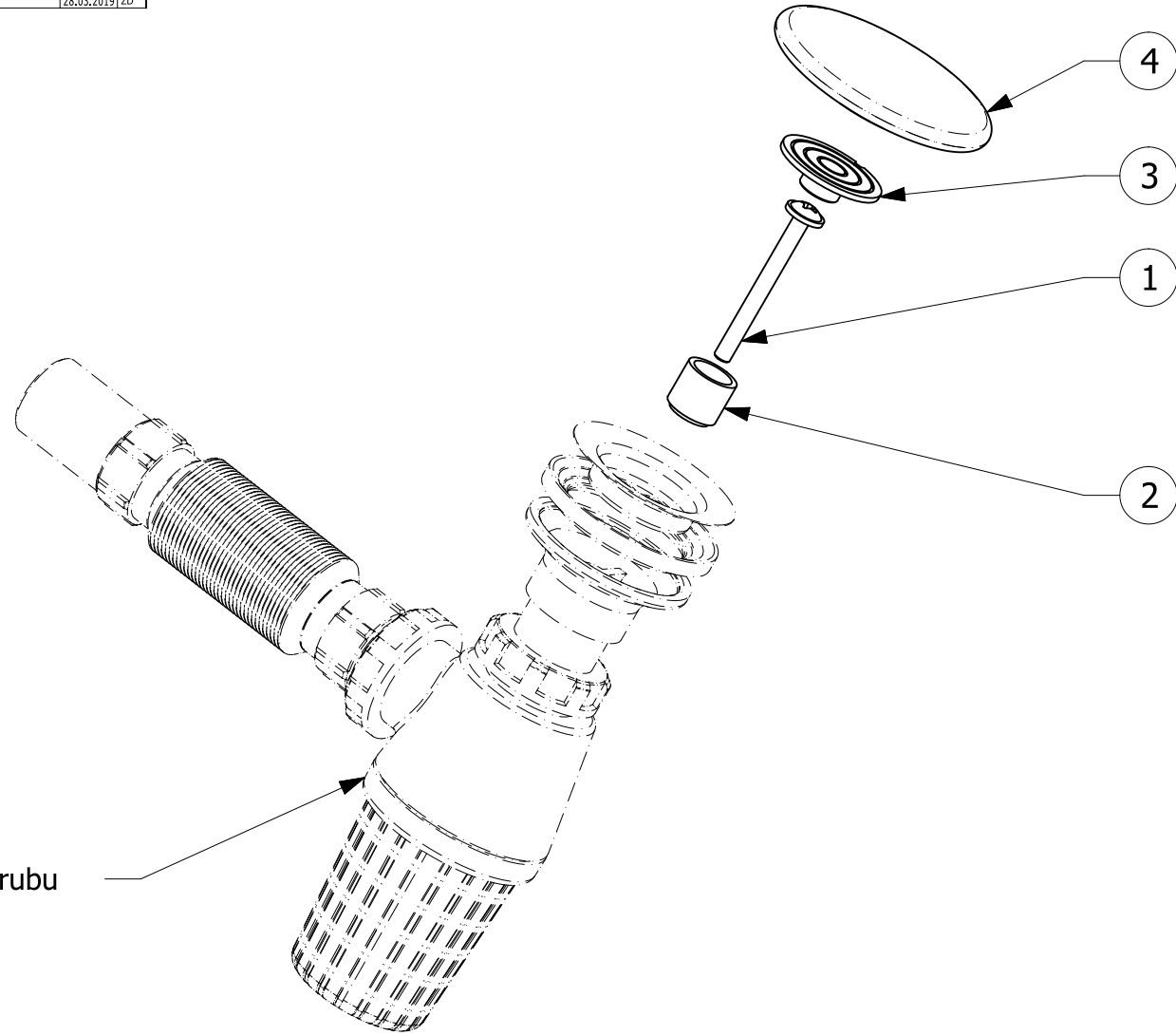
DOCUMENT ID:

413522 3

DRAWING REVISION RECORD			
Sym.	By	Description	Date
R&D0	RD	Creation	30.09.2014 ZD
R&D1	RD	Adaptor ve yuva parçalarında revizyon yapıldı	08.05.2015 ZD
0	RD	Üretime alındı	23.06.2015 ZD
1	RD	Teknik resim ölçüleri	29.06.2015 ZD
2	MME	vPL parçalarda malzeme değişikliği: POM->PA GF15. Tüm ölçüler çekme farkına göre yenilenmiştir.	25.07.2016 ZD
3	R,DESAT	Seramik ventil kapagi eklendi	28.03.2019 ZD

CAD FILE:

PAGE 1/1



PC NO	PART NAME / DESCRIPTION	QTY	MATERIAL	DOCUMENT ID
4	Seramik Ventil Kapagi	4		
3	Adaptör	3	PA6 GF15, RAL 7042 Gri	413521 2
2	Yuva	2	PA6 GF15, RAL 7042 Gri	413520 2
1	Civata, Rondela Yıldız Silindir Baslı, M6x60, DIN967 Tip-H	1	AISI 304 Paslanmaz	Hazir Parca

ASSEMBLY PART LIST

TOLERANCES	
-8	± 0.10
8-25	± 0.15
25-80	± 0.20
80-250	± 0.30
ANGLE	± 15' 0"

THIS DRAWING IN DESIGN AND DETAILS IS THE PROPERTY OF MATEL A. S. COPYRIGHT AND RIGHT OF DESIGN OR INVENTION AND THIS DRAWING OR ANY PORTION THEREOF ARE RESERVED BY MATEL A. S.

SEREL

www.serel.com.tr

MATEL Hammadde San. ve Tic. A. S.
SEREL Seramik Fabrikası

Atatürk Cad. No:14
OSB 45030, Manisa, TURKEY

PARTNAME / DESCRIPTION:

Yuva

PROJECT:
Seramik ventil Kapagi PL versiyon

PART CODE:
-

MATERIAL (& COVERING):
**PA6 GF15,
RAL 7042 Gri**

WEIGHT: 2.76gr
APPLICABLE STANDARDS: TS-EN

	by	date
DESIGN	MME	15.08.2014
3D MODEL	RD	15.08.2014
DRAFT	RD	15.08.2014
CHECK	AS	15.08.2014
APPROVED	ZD	15.08.2014

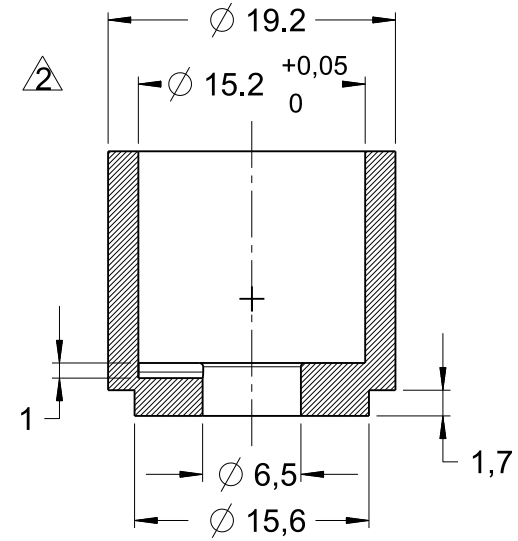
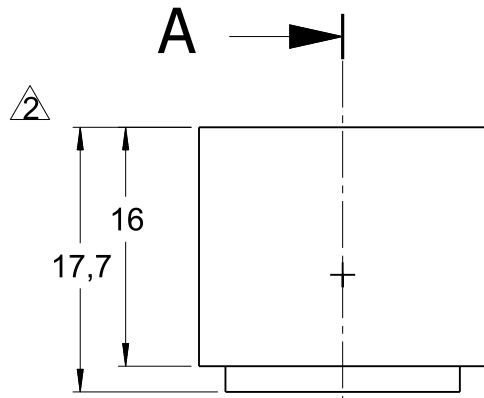
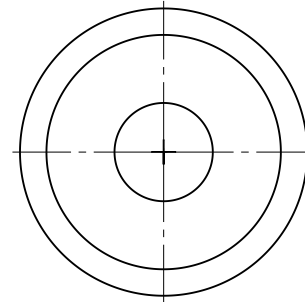
DO NOT SCALE DRAWING
ALL DIMENSIONS IN: MILLIMETERS
DIMENSIONING AND TOLERANCING PER
ISO129 & ISO406

FIRST ANGLE PROJECTION SHEET SCALE
A4 nts

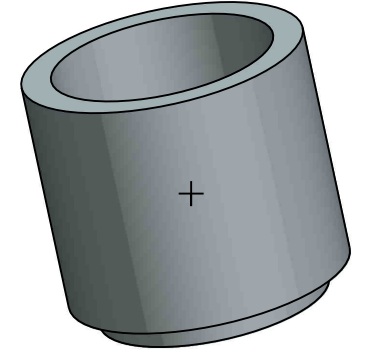
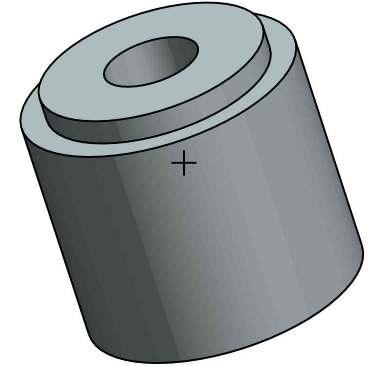
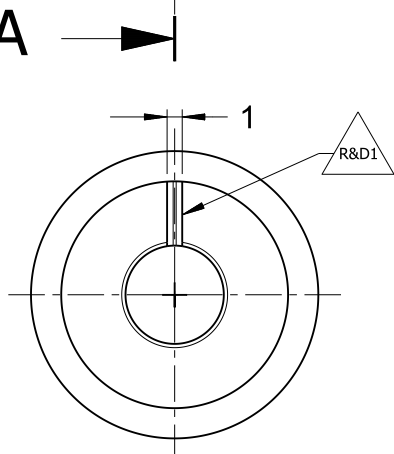
DOCUMENT ID:
413520 2

DRAWING REVISION RECORD				
Sym.	By	Description	Date	Appr.
R&D1	RD	Creation	15.08.2014	ZD
R&D1	RD	su gecisi için kanal açildi	08.05.2015	ZD
0	RD	uretime alındı	23.06.2015	ZD
1	RD	Teknik resim ölçuleri revize edildi	29.06.2015	ZD
2	MME	Tüm ölçüler revize edildi (%3 çekmeli kalıp, %0.5 çekmeli malzeme (POM->PA GF15))	27.07.2016	ZD

CAD FILE:



SECTION A-A



TOLERANCES	
-8	±0.10
8-25	±0.15
25-80	±0.20
80-250	±0.30
ANGLE	±15' 0"

THIS DRAWING IN DESIGN AND DETAILS IS THE PROPERTY OF MATEL A.S. COPYRIGHT AND RIGHT OF DESIGN OR INVENTION AND THIS DRAWING OR ANY PORTION THEREOF ARE RESERVED BY MATEL A.S.

SEREL®

www.serel.com.tr

MATEL Hammadde San. ve Tic. A.Ş.
SEREL Seramik Fabrikası

Alaturk Cad. No:14
OSB 45030, Manisa, TURKEY

Sym.	By	Description	Date	Appr.
0	RD	Üretime alındı	23.06.2015	ZD
1	RD	Teknik resim ölçüleri revize edildi	28.06.2015	ZD
2	MME	Tüm ölçüler revize edildi (%3 çekmeli kalıp, %0.5 çekmeli malzeme (POM->PA GF15))	27.07.2016	ZD

CAD FILE:

PAGE 1 / 1

PARTNAME / DESCRIPTION:

Adaptör

PROJECT:

Seramik Ventik Kapagi PL versiyon

PART CODE:

MATERIAL (& COVERING):
**PA6 GF15,
RAL 7042 Gri**

WEIGHT:

3.57gr

APPLICABLE STANDARDS

TS-EN

	by	date
DESIGN	MME	15.08.2014
3D MODEL	RD	15.08.2014
DRAFT	RD	15.08.2014
CHECK	AS	15.08.2014
APPROVED	ZD	15.08.2014

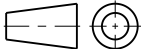
DO NOT SCALE DRAWING

ALL DIMENSIONS IN: MILLIMETERS
DIMENSIONING AND TOLERANCING PER
ISO129 & ISO406

FIRST ANGLE PROJECTION

SHEET

SCALE

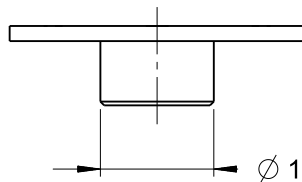


A4 nts

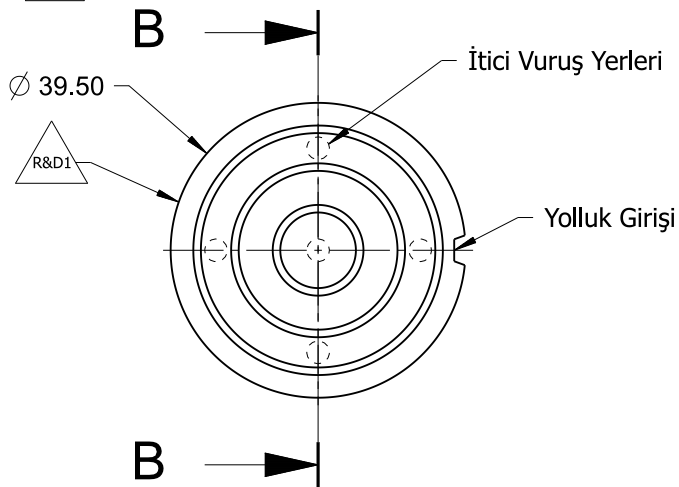
DOCUMENT ID:

413521 2

2

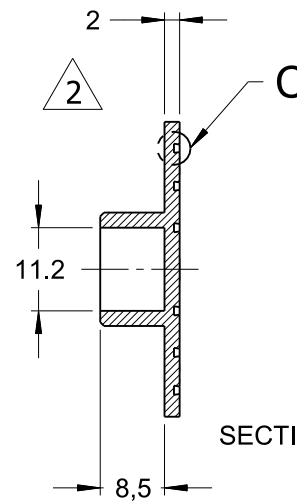
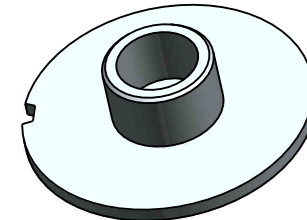
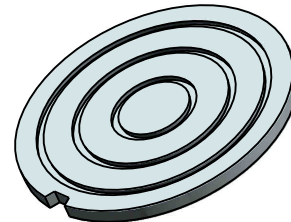


2

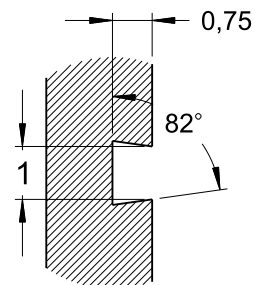
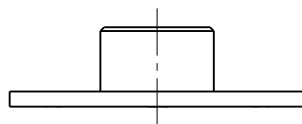


2

2



SECTION B-B



TOLERANCES	
-8	± 0.10
8-25	± 0.15
25-80	± 0.20
80-250	± 0.30
ANGLE	± 15' 0"