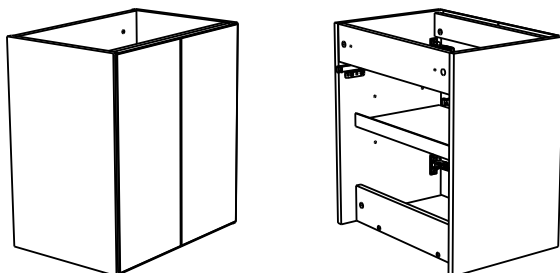
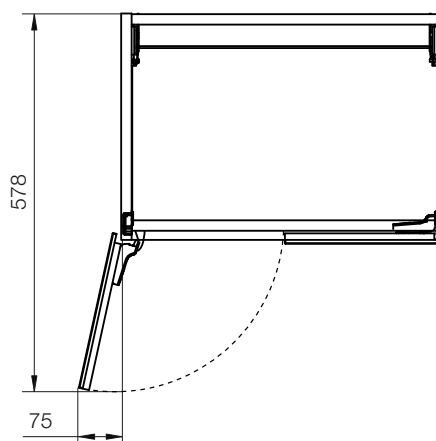


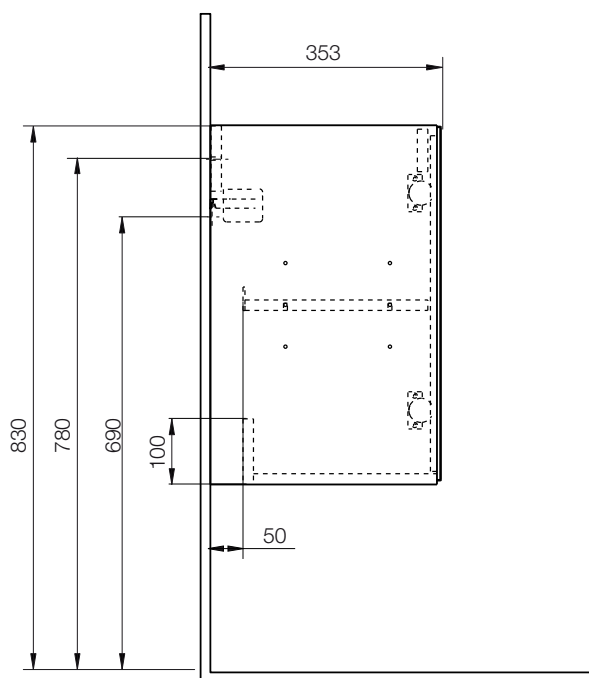
westerbergs afton 500



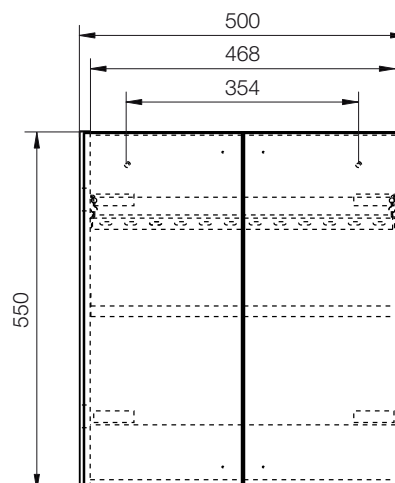
TOP



SIDE



FRONT



Art nr. 20071230, 20071232 Westerbergs Badrum part of Hela Bathroom Group AB.