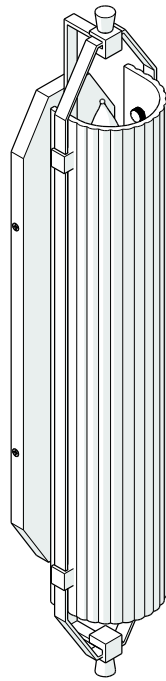
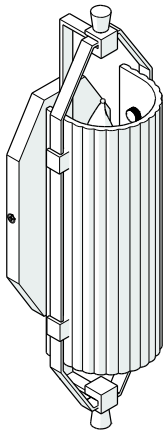


STYLE No. ADLT01
[AD01LT]
Single Sconce

STYLE No. ADLT02
[AD02LT]
Double Sconce



* All items in [BRACKETS] refer to UK styles

SPECIFICATIONS:

Bulb Base Size: E12 [SBC B15]

Bulb Type: Candelabra

Junction Box Orientation: Any

Junction Box Size: Standard 3-1/2"

Max Wattage: 60 Watt

Orientation: Any

Shade Material: Glass

Voltage: 120 [240]

Required Electrical Feeds:

US: Black "Hot" wire; White "Neutral" wire; Green or Bare "Ground" wire

UK: [Brown "Line" wire; Blue "Neutral" wire; Green/Yellow Striped or Bare "Earth" wire]

IMPORTANT:

- **WARNING:** The power supply must be turned off prior to installation. Turn off the main electrical supply to the junction box from the fuse box/circuit breaker. Turning power off at the switch is not sufficient.
- To ensure this product is installed properly, you must read and follow these guidelines.
- The owner/user of this product must keep this information for future reference.
- ADLT01 and ADLT02 are U.L. certified and are suitable for damp or dry locations. The U.L. listing mark can be found on the inside of the cover plate.
- AD01LT and AD02LT are CE rated. Proof of CE compliance will be provided upon request.

- Be sure your installation conforms to all federal, state, and local codes.
- This product must be installed by a professional licensed electrical contractor.
- Refer to the specification and assembly drawings attached. Product is sold partially assembled but shown fully disassembled for illustrative and service purpose only.
- Max wattage for ADLT01 [AD01LT] and ADLT02 [AD02LT] is 60 watts for incandescent Candelabra base light bulbs.

SCONCE INSTALLATION:

- **REQUIRED:** Install a 3-1/2" octagonal electrical junction box at the desired height.
- See Figure - 01 for Steps 1 - 2.

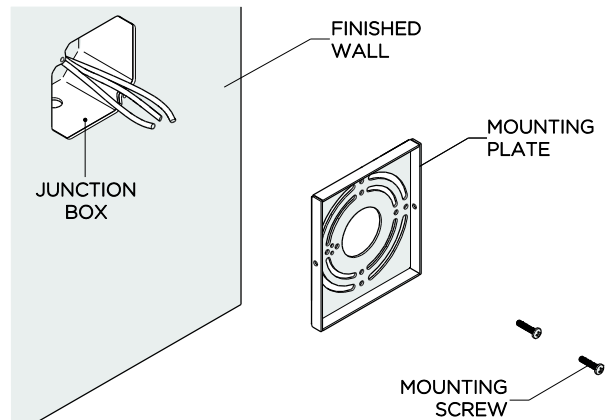


FIGURE - 01

1. Remove the MOUNTING PLATE by unthreading the FLAT HEAD SCREWS from the back plate.
 2. Pull the wires in the JUNCTION BOX through the center hole of the MOUNTING PLATE. Attach the PLATE to the JUNCTION BOX using the MOUNTING SCREWS making sure to keep the proper alignment of the PLATE.
- See Figure - 02 for Steps 3 - 5.

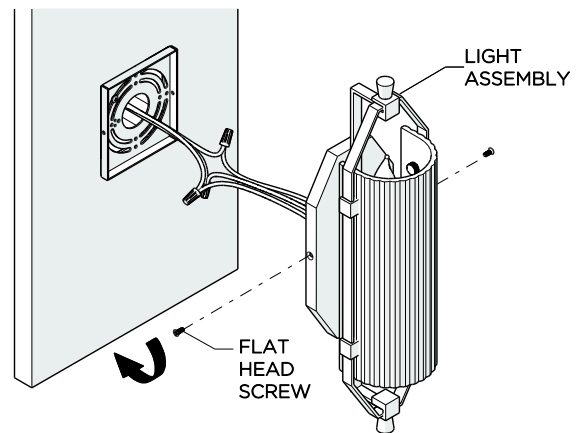


FIGURE - 02

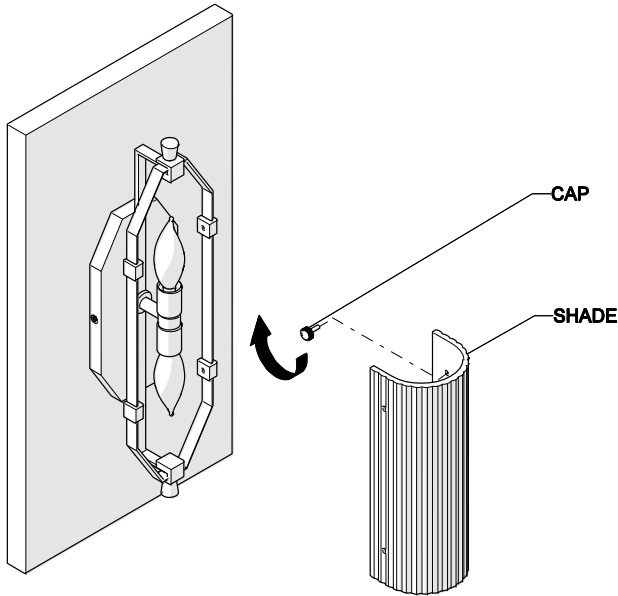
These guidelines have been prepared for the professional contractor to aid in the installation of:
ADDAIR WALL MOUNTED SINGLE SCONCE WITH GLASS SHADE (STYLE No. ADLT01 [AD01LT]) & ADDAIR WALL
MOUNTED DOUBLE SCONCE WITH GLASS SHADE (STYLE No. ADLT02 [AD02LT]).
All dimensions are based on original specification and are subject to change and variation.
Please consult your Design Associate for current specifications.

WATERWORKS

3. Fasten the bare copper fixture wire to the green or bare copper wire in the box with a wire nut or fasten it to the MOUNTING PLATE with the ground screw provided.
4. Fasten the white fixture wire to the white wire in the box with a wire nut. Tightly wrap the connection with electrical tape beginning 1" [25mm] below the wire nut to ensure the tape seals the end of the nut. Make sure that there are no exposed wires that could cause a short circuit.
5. Attach the LIGHT ASSEMBLY to the MOUNTING PLATE on the wall by reinstalling the FLAT HEAD SCREWS.

SERVICING THE LIGHT:

- See Figure - 03 for Step 6.

**FIGURE - 03**

6. Unscrew the CAP SCREWS from the inside of the SHADE in order to gain access to the BULB for cleaning and servicing.
- If further assistance is required, please contact Product Support at 1-800-927-2120 (8am-6pm EST).

These guidelines have been prepared for the professional contractor to aid in the installation of:
 ADDAIR WALL MOUNTED SINGLE SCONCE WITH GLASS SHADE (STYLE No. ADLT01 [AD01LT]) & ADDAIR WALL
 MOUNTED DOUBLE SCONCE WITH GLASS SHADE (STYLE No. ADLT02 [AD02LT]).
 All dimensions are based on original specification and are subject to change and variation.
 Please consult your Design Associate for current specifications.

W A T E R W O R K S