

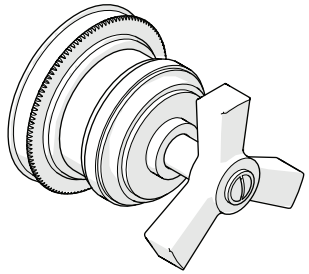
INSTALLATION GUIDELINES

STYLE No. AEVC57, AEVC59

Aero Volume Control Valve Trim

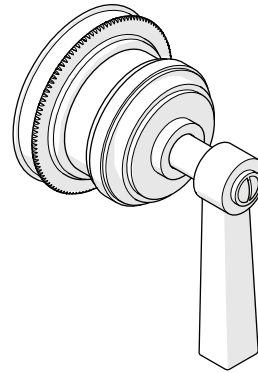
STYLE No. AE2T01, AE2T10, AE3T01, AT3T10

Aero Diverter Valve Trim



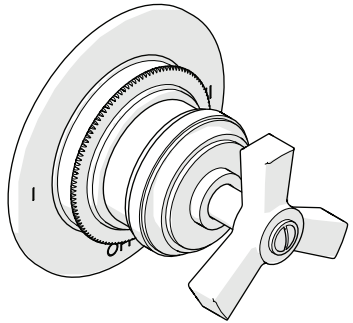
STYLE No. AEVC57

Aero Volume Control Valve Trim with Metal Cross Handle



STYLE No. AEVC59

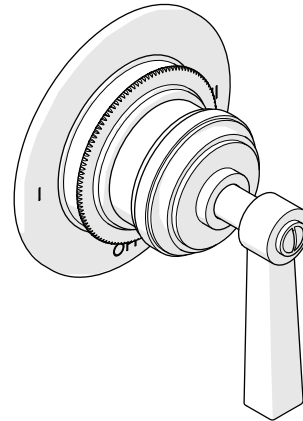
Aero Volume Control Valve Trim with Metal Lever Handle



STYLE No. AE2T01

Aero Two Way Diverter Valve Trim for Thermostatic with Metal Cross Handle

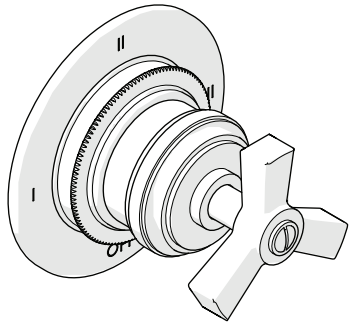
- **STYLE No. AEVC57**  
Aero Volume Control Valve Trim with Metal Cross Handle
- **STYLE No. UN2TR1**  
Universal Two Way Diverter Valve Trim for Thermostatic with Roman Numerals



STYLE No. AE2T10

Aero Two Way Diverter Valve Trim for Thermostatic with Metal Lever Handle

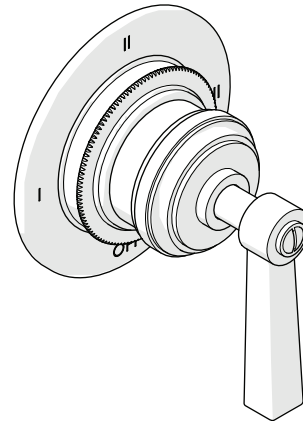
- **STYLE No. AEVC59**  
Aero Volume Control Valve Trim with Metal Lever Handle
- **STYLE No. UN2TR1**  
Universal Two Way Diverter Valve Trim for Thermostatic with Roman Numerals



STYLE No. AE3T01

Aero Three Way Diverter Valve Trim for Thermostatic with Metal Cross Handle

- **STYLE No. AEVC57**  
Aero Volume Control Valve Trim with Metal Cross Handle
- **STYLE No. UN3TR1**  
Universal Three Way Diverter Valve Trim for Thermostatic with Roman Numerals



STYLE No. AE3T10

Aero Three Way Diverter Valve Trim for Thermostatic with Metal Lever Handle

- **STYLE No. AEVC59**  
Aero Volume Control Valve Trim with Metal Lever Handle
- **STYLE No. UN3TR1**  
Universal Three Way Diverter Valve Trim for Thermostatic with Roman Numerals

# INSTALLATION GUIDELINES

## IMPORTANT:

- To ensure this product is installed properly, you must read and follow these guidelines.
- The owner/user of this product must keep this information for future reference.
- This product must be installed by a professional licensed contractor and must be onsite prior to rough-in, this allows the installer to visualize the installation.
- This product is intended to work with either a Universal Diverter Valve for Thermostatic Shower Systems or Universal Volume Control Valve (SOLD SEPARATELY). Refer to the Installation Guidelines provided with the VALVE for complete rough-in installation details.
- Wall valves control on/off/volume and must be installed for each fitting that will have water flowing to it. If using a wall valve with the Universal 3/4" Thermostatic Valve (Style No. GUTH37) refer to the Installation Guidelines for the Thermostatic Valve which contains related installation information. All VALVES and TRIMS sold separately.
- Be sure your installation conforms to federal state, and local codes. In the State of Massachusetts, all installations must comply with the rules and regulations set forth within 248 CMR.
- Inspect this product to ensure you have all the parts required for proper installation. Product is sold partially assembled but shown fully disassembled for illustrative and service purposes only.
- Use only a strap wrench or protected/smooth-jaw wrench on any finished surface.
- The use of certain plumber's putty may stain stone or tile surfaces.
- If further assistance is required, please contact Product Support at 1-800-927-2120 Monday through Friday, 8am - 6pm EST.
- Refer to the separate Service Parts Documents for available replacement parts.

## REQUIRED PLUMBING DETAILS:

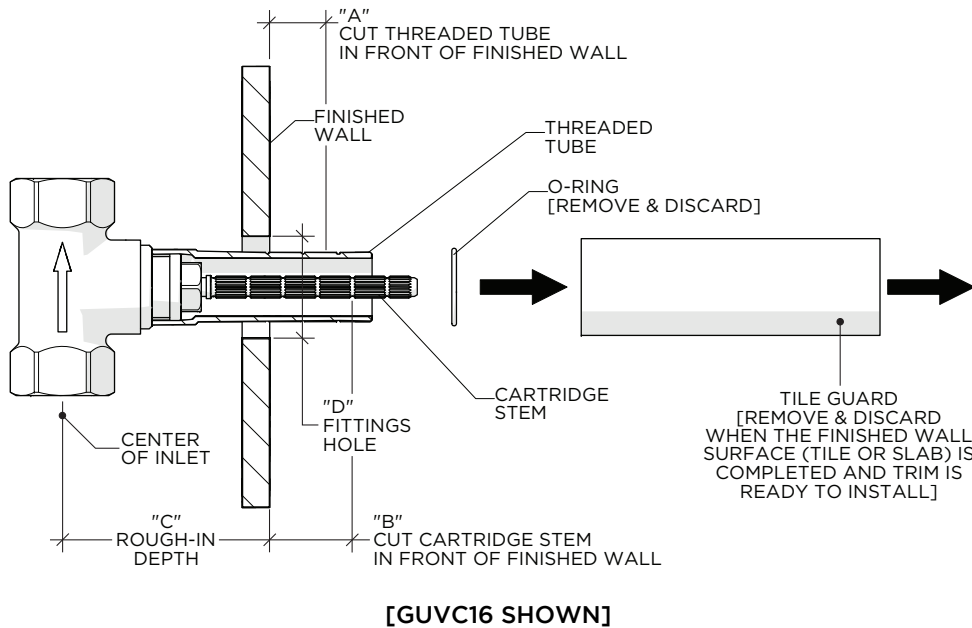
TRIM	VALVE	DESCRIPTION
AEVC57	GUVC16	Universal 3/4" Counter-Clockwise Open Volume Control Valve
	GUVC17	Universal 3/4" Clockwise Open Volume Control Valve
AEVC59	GUVC16	Universal 3/4" Counter-Clockwise Open Volume Control Valve
	GUVC17	Universal 3/4" Clockwise Open Volume Control Valve
AE2T01	GUDV14	Universal Two Way Diverter Valve for Thermostatic Shower Systems
AE2T10		
AE3T01	GUDV66	Universal Three Way Diverter Valve for Thermostatic Shower Systems
AE3T10		

# INSTALLATION GUIDELINES

## ROUGH-IN AND VALVE PREPARATION:

- **CAUTION:** If the VALVE is roughed-in too shallow, the TRIM cannot be installed correctly.
- **CAUTION:** Mark and remove the THREADED TUBE before cutting. Do NOT cut the end with the internal threads.
- **CAUTION:** Mark and remove the CARTRIDGE using a 21/32" [17mm] shower valve socket wrench before cutting.

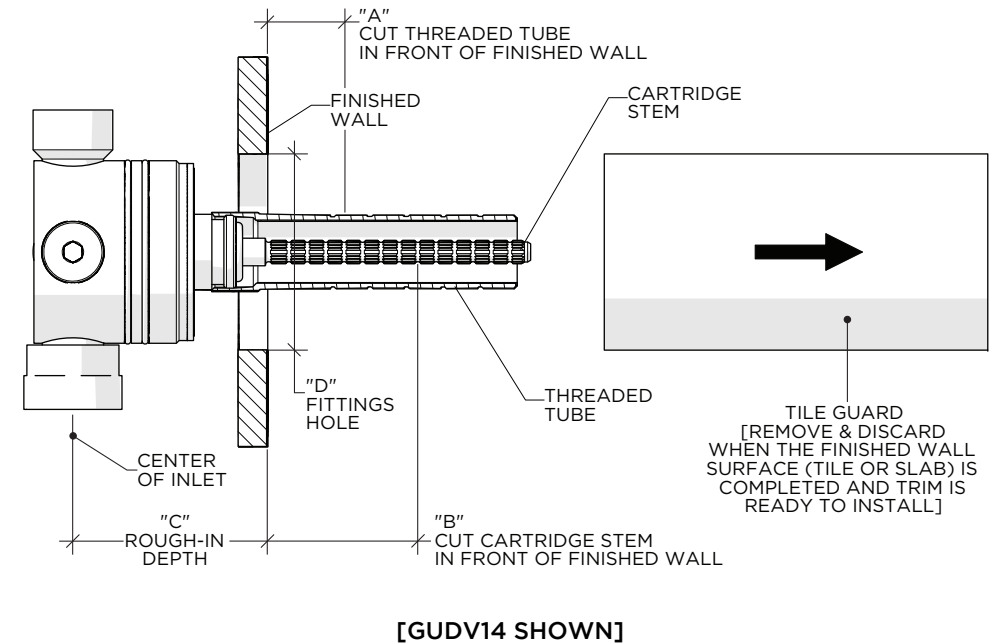
DIMENSION	VALUE
A	7/8" [22mm]
B	1-1/8" [29mm]
C	2-1/2" MIN [64mm] - 3-1/4" MAX [83mm]
D	Ø1-3/8" [35mm]



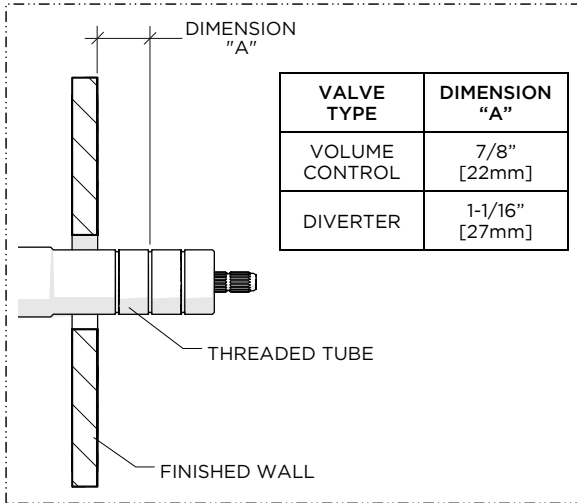
## DIVERTER TRIM: ROUGH-IN AND VALVE PREPARATION:

- **CAUTION:** If the VALVE is roughed-in too shallow, the TRIM cannot be installed correctly.
- **CAUTION:** Mark and remove the THREADED TUBE before cutting. Do NOT cut the end with the internal threads.
- **CAUTION:** Do NOT remove the CARTRIDGE.

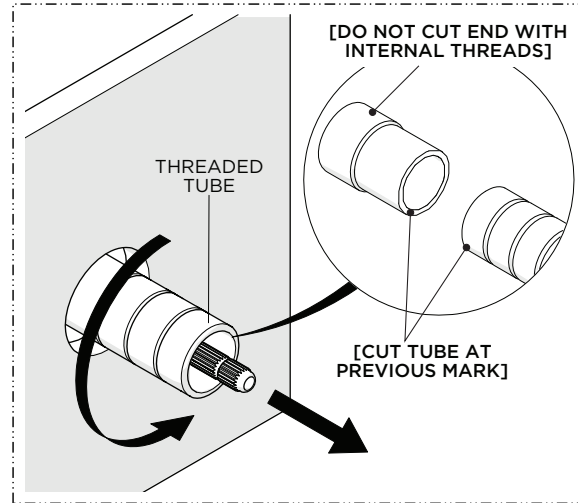
DIMENSION	VALUE
A	1-1/16" [27mm]
B	1-1/4" [32mm]
C	2-1/2" MIN [64mm] - 4-5/8" MAX [117mm]
D	Ø2-1/2" [64mm]



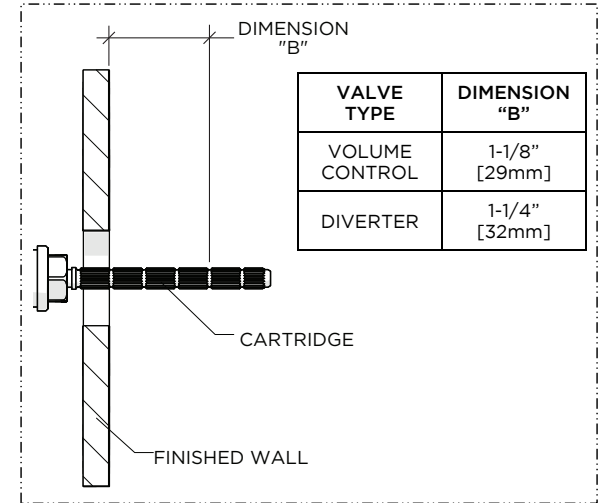
INSTALLATION GUIDELINES



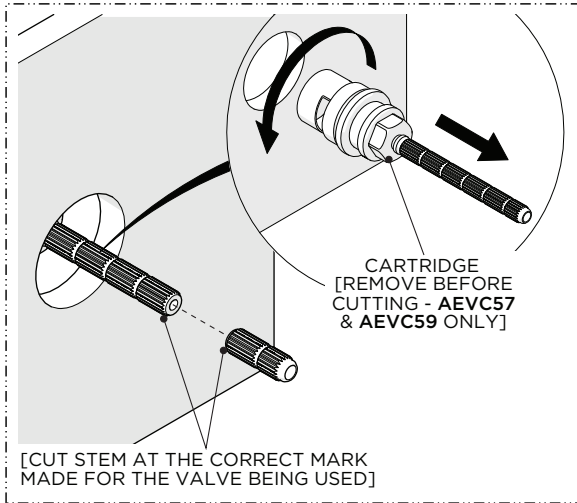
1. Remove the TILE GUARD when ready to install the TRIM then mark the THREADED TUBE in front of the finished wall at the correct length listed for the VALVE being used.



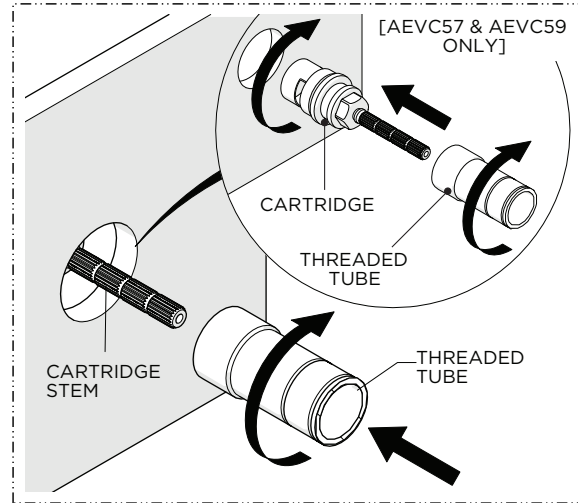
2. Remove the THREADED TUBE then cut the TUBE at the previous mark.  
**CAUTION:** Do NOT cut the end with the internal threads.



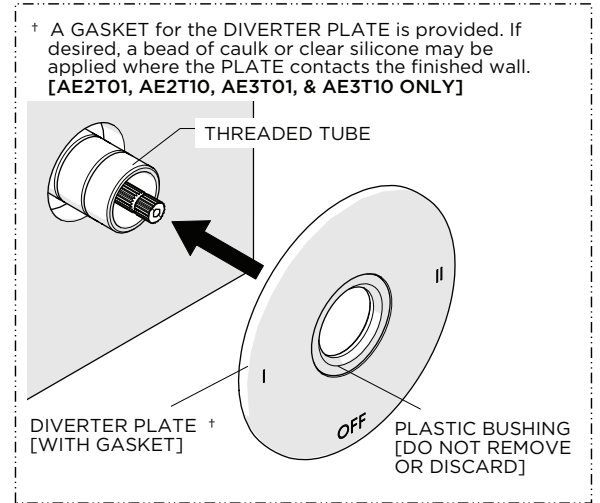
3. Mark the CARTRIDGE STEM in front of the finished wall at the correct length listed for the VALVE being used.



4. Cut the STEM at the previous mark.  
**NOTE (AEVC57 AND AEVC59 ONLY):** Remove the CARTRIDGE using a 21/32" [17mm] shower valve socket wrench (not supplied) prior to cutting to prevent damaging the STEM.



5. Thread and securely tighten the THREADED TUBE back onto the VALVE.  
**NOTE (AEVC57 AND AEVC59 ONLY):** Securely tighten the CARTRIDGE back into the VALVE.

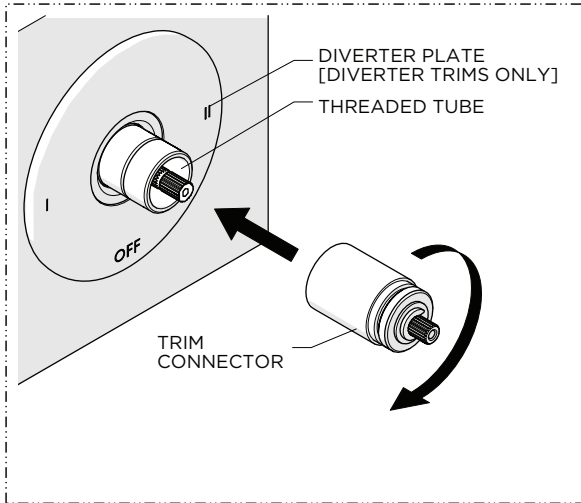


6. **AE2T01, AE2T10, AE3T01, AND AT3T10 ONLY:** Slide the DIVERTER PLATE over the THREADED TUBE and hold it against the finished wall.  
**NOTE:** Do NOT remove or discard The PLASTIC BUSHING.

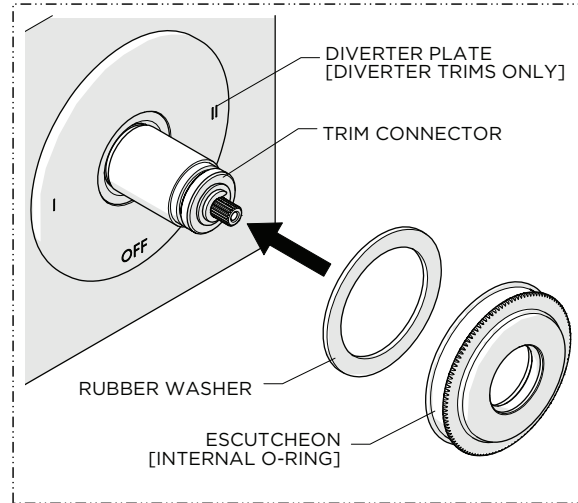
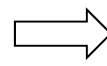
INSTALLATION GUIDELINES

STYLE No. AEVC57, AEVC59  
Aero Volume Control Valve Trim

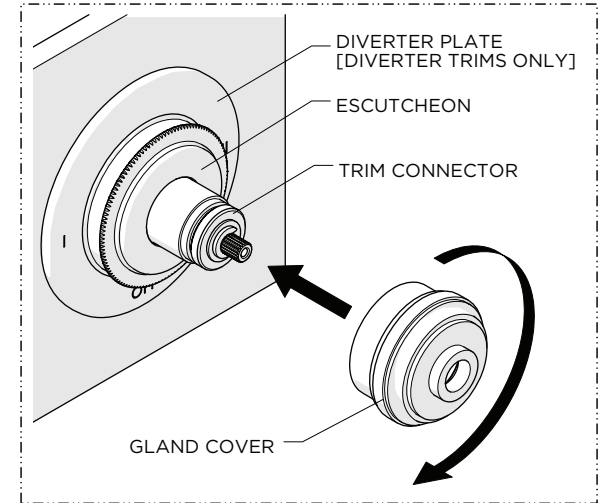
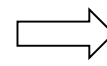
STYLE No. AE2T01, AE2T10, AE3T01, AT3T10  
Aero Diverter Valve Trim



7. Thread and securely tighten the TRIM CONNECTOR onto the THREADED TUBE until it stops.

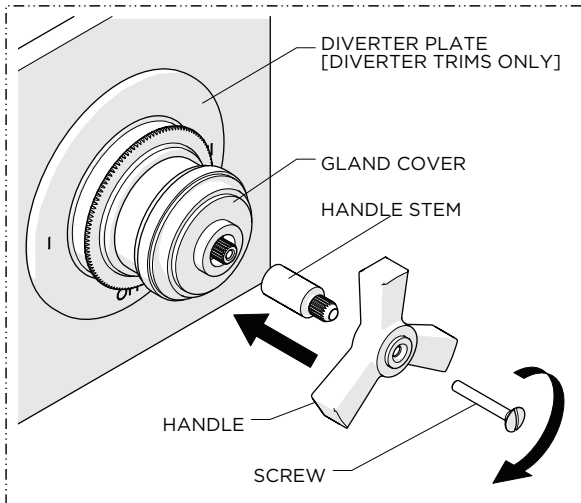


8. Making sure to use the RUBBER WASHER provided, slide the ESCUTCHEON onto the TRIM CONNECTOR.

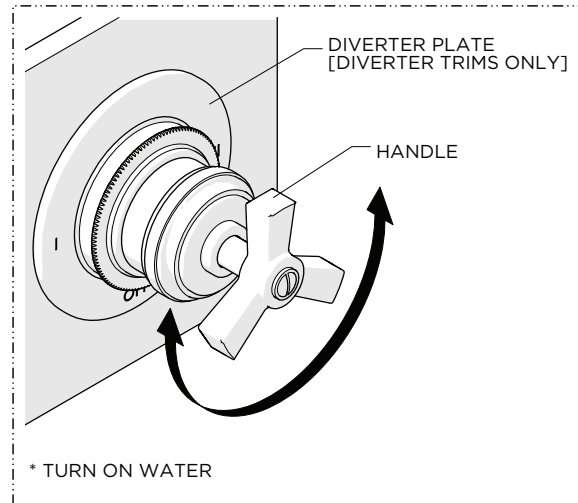
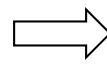


9. Thread and securely tighten the GLAND COVER onto the TRIM CONNECTOR.

**NOTE:** Ensure the ESCUTCHEON is held tight against the DIVERTER PLATE or finished wall.



10. Insert the HANDLE STEM into the GLAND COVER then place the HANDLE onto the STEM in the desired orientation and thread and securely tighten the SCREW.



11. Turn on the water supply and operate the HANDLE to ensure that it is functioning properly.