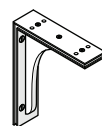
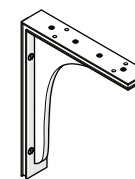


INSTALLATION GUIDELINES



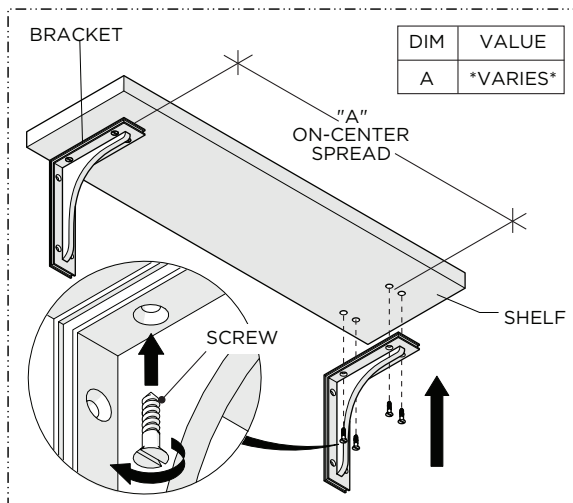
STYLE No. AEBK06
Aero 6" Bracket



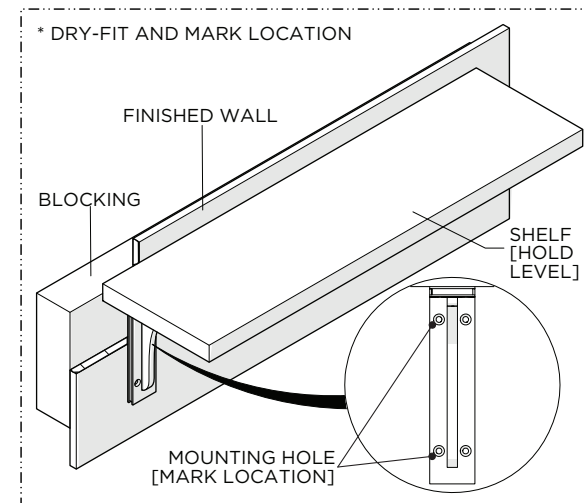
STYLE No. AEBK09
Aero 9" Bracket

IMPORTANT:

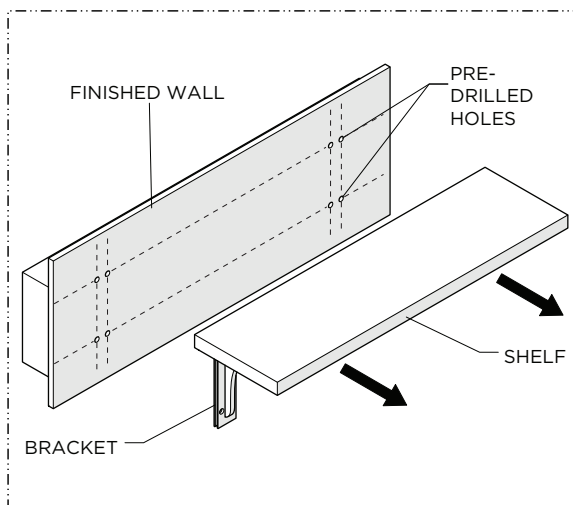
- To ensure this product is installed properly, you must read and follow these guidelines.
- The owner/user of this product must keep this information for further reference.
- This product must be installed by a professional licensed contractor.
- Inspect this product to ensure you have all the parts required for proper installation.
- BRACKETS are sold individually. The on-center spread and number of BRACKETS required will vary depending on the material and length of the SHELF (sold separately).
- Follow the SHELF'S manufacturer's instructions on how to properly attach the BRACKETS to the SHELF.
 - Four #8 x 3/4" SCREWS per BRACKET are provided for SHELF installation.
- Wall composition will affect the load capacity of the BRACKETS. Adequate BLOCKING in the wall is **STRONGLY RECOMMENDED** to ensure the best performance.
 - Four #8 x 2" SCREWS per BRACKET are provided.
- If further assistance is required, please contact Product Support at 1-800-927-2120 Monday through Friday, 8am - 6pm EST.
- Refer to the separate Service Parts Documents for available replacement parts.



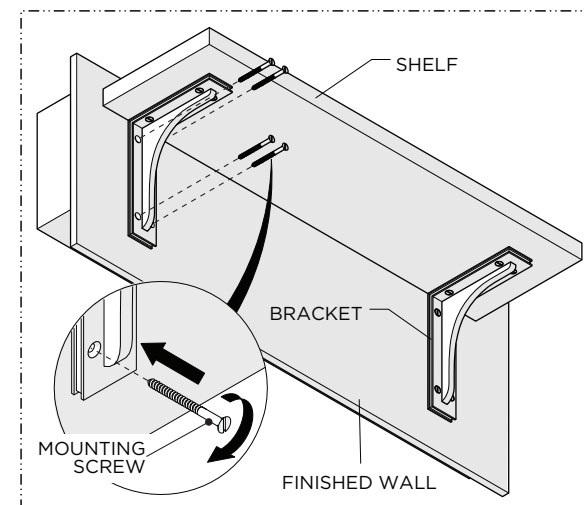
1. Pre-assemble the BRACKETS to the SHELF (sold separately) using the SCREWS provided or other appropriate fastener based on the SHELF material and manufacturer's instructions.



2. Dry-fit the ASSEMBLY to the finished wall, preferably over adequate blocking or stud material. Ensure the SHELF is level then mark the location of the MOUNTING HOLES.



3. Remove the ASSEMBLY then, using the previous marks, pre-drill the holes (pilot holes) to accommodate the #8 x 2" SCREWS provided.



4. Hold the ASSEMBLY up against the finished wall and secure using the #8 x 2" SCREWS provided then verify the SHELF is level.

NOTE: If necessary, install the appropriate ANCHORS (not provided) where blocking is not installed.