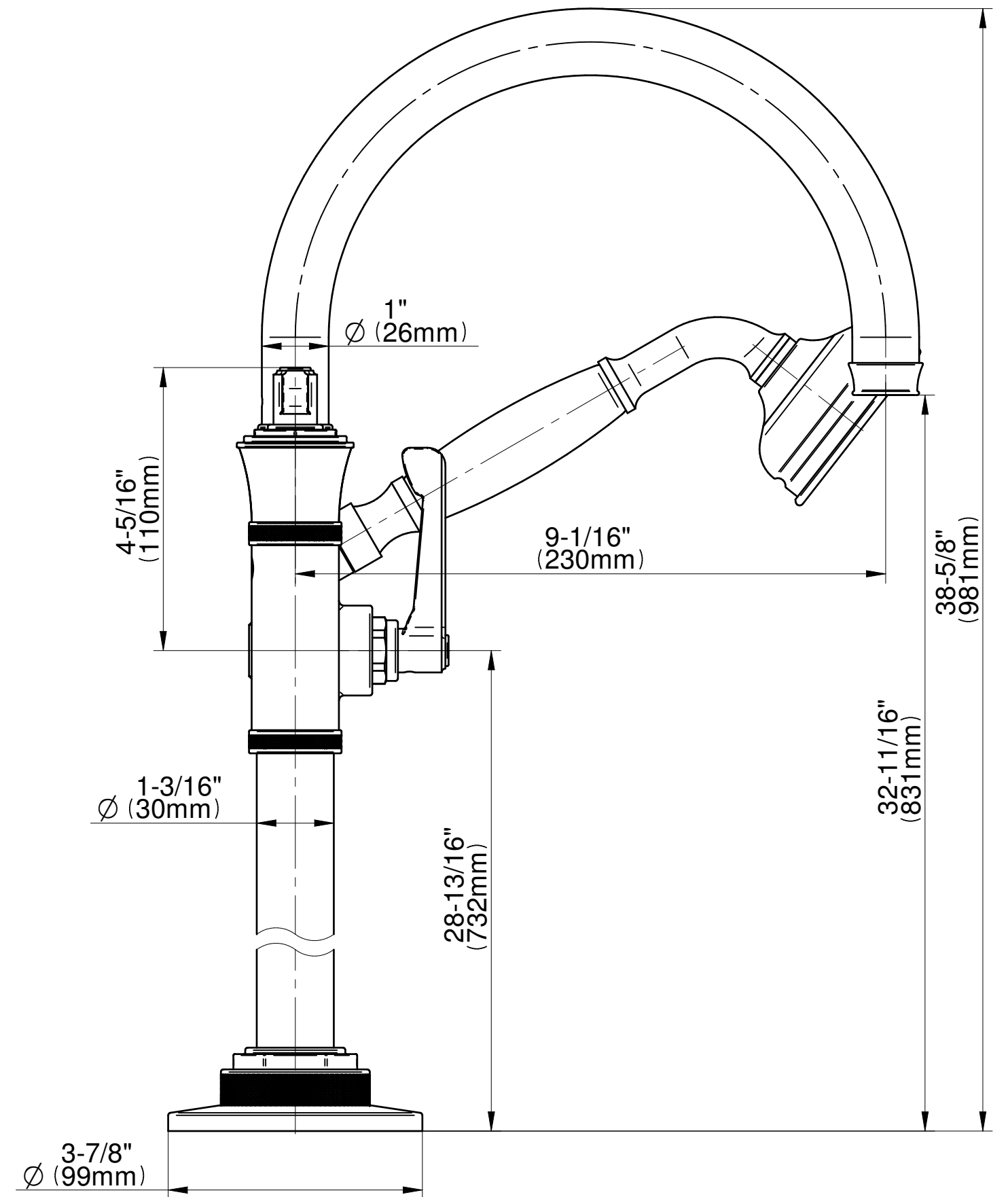
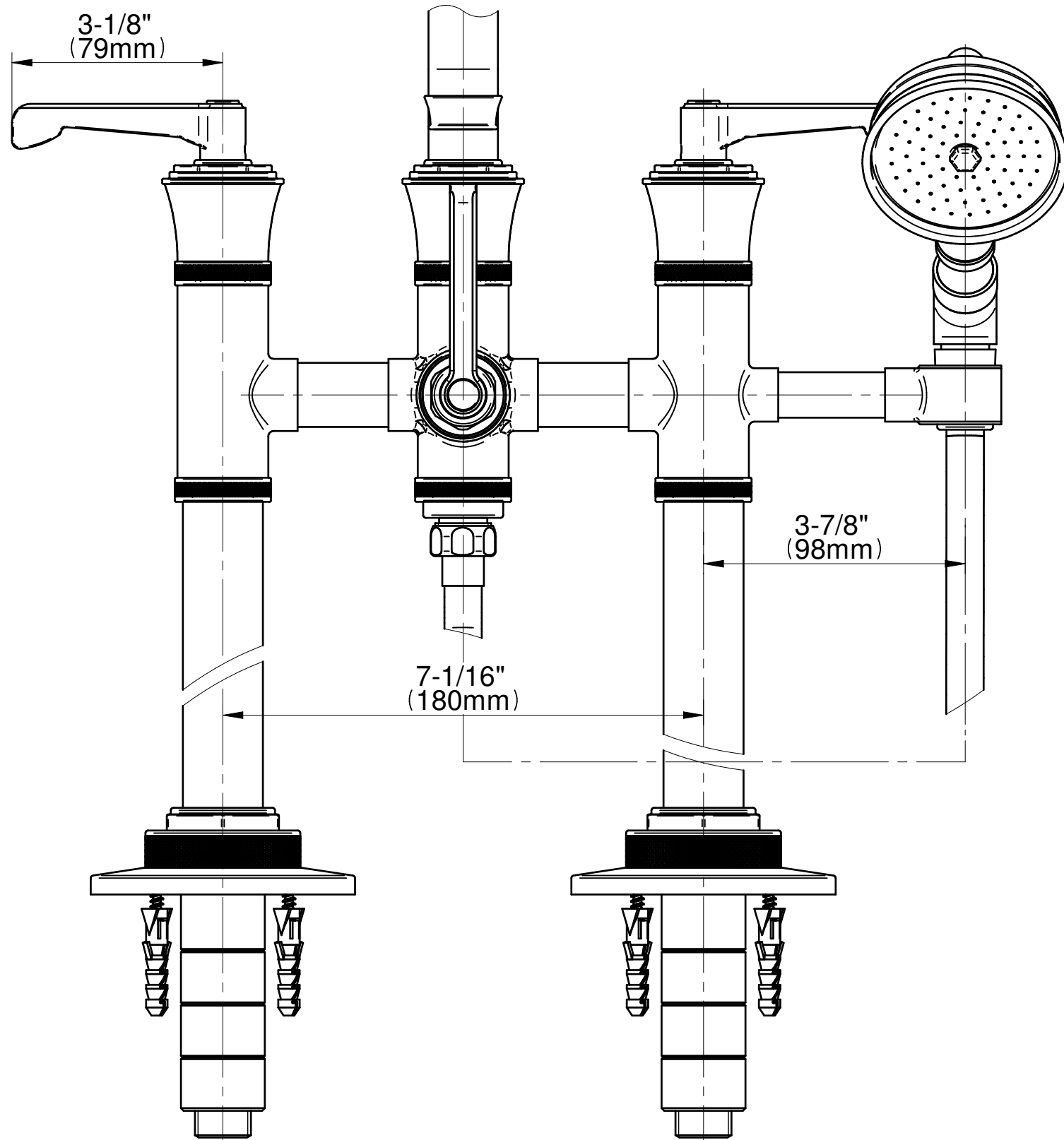


E-11654-LM60B

HENRY Series



GRAFF[®]
CUTTING EDGE DESIGN