



ESTB. 1978

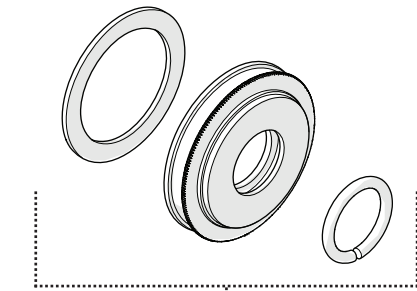
WATERWORKS

SERVICE PARTS

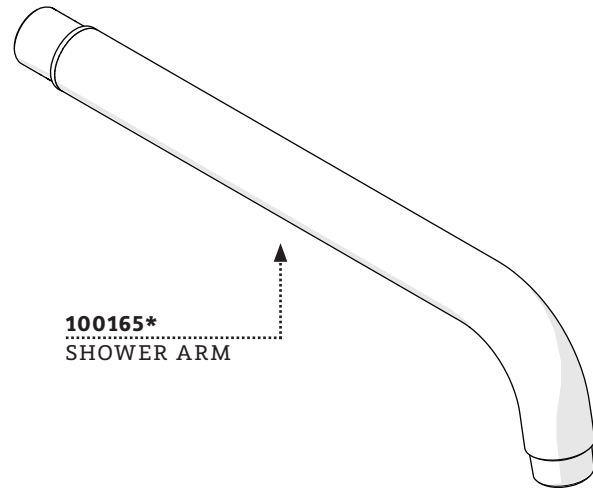
STYLES: AESH10

*FINISH/COLOR MUST BE SPECIFIED WHEN ORDERING
++SUPPLIED AS A PAIR

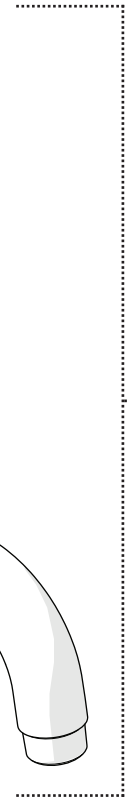
DATE: 05.04.2019



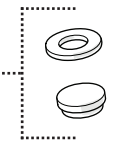
AEU011*
ESCUTCHEON



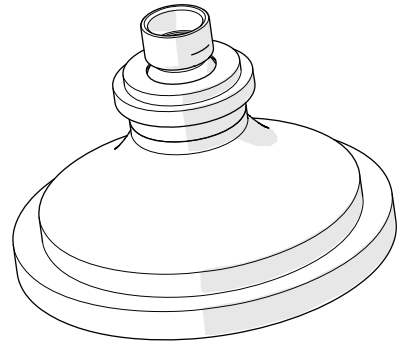
100165*
SHOWER ARM



AESH01*
SHOWER ARM & FLANGE



999225
FLOW REGULATOR



UNSH05*
SHOWERHEAD