

AERO

Aero 2 3/4" Shower Head, Arm and Flange

AESH72



SHOWN IN AERO 2 3/4" SHOWER HEAD, ARM AND FLANGE | AESH72

TECHNICAL DETAILS

ADA Compliance: Yes
 Adjustable Levelers / Feet: N
 Adjustable Shelves: N
 Adjustable versus Fixed Spray: Adjustable Spray
 Diameter of Head: 2 3/4"
 Escutcheon Primary Material: Brass
 Fittings Hole Diameter: 1 1/4"
 Garbage Disposal: N
 Depth / Width: 9"
 Height: 6 1/2"
 Inlet Connection Size: 1/2"
 Inlet Connection Type: Female NPT
 Installation Type: Wall Mounted
 Integrated Diverter: N
 Integrated Sensor Disk: N
 Interior Finish of Trapway: N
 Length: 3"
 Pivot: Y
 Primary Material: Brass
 Sink Visibility: N
 Sound Proofing: N
 Spray Included in Unit: N
 Suggested Application: Bath
 Water Pressure Maximum: 80.0 psi
 Water Pressure Minimum: 20.0 psi
 Water Pressure Recommended: 45.0 psi

INSPIRATION

Inspired by the stepped detail of 19th century telescopes, Aero is a combination of historical reference with a contemporary temperament. The result is original and modern, bringing a look of updated elegance.

CODES & STANDARDS

Code # AESH72: ASME A112.18.1 / CSA B125.1, IAPMO, State of MA, CEC

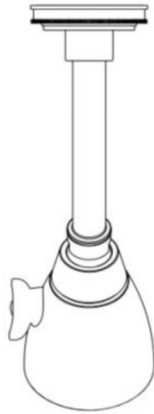
PRODUCT FEATURES

Swiveling 2 1/2" showerhead with rubber nozzles, and adjustable spray
 Features signature stepped and gadrooned details on escutcheon
 Stocked in Chrome and Nickel
 Stocked in 2.5gpm (9.5L/min) flow rate. Alternate flow regulation of 1.75gpm (6.6/min) also available as special order

AERO

AESH72

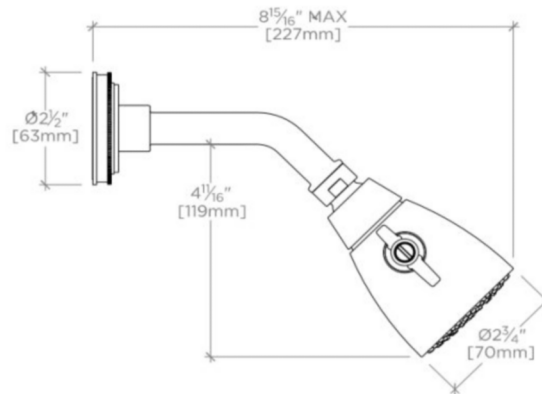
Aero 2 3/4" Shower Head, Arm and Flange



TOP VIEW SCALE: 3"=1'-0"



FRONT VIEW SCALE: 3"=1'-0"



SIDE VIEW SCALE: 3"=1'-0"