

AERO

AETF88

Aero Low Profile Concealed Tub Filler With Handshower and Metal Cross Handles



SHOWN IN AERO LOW PROFILE CONCEALED TUB FILLER WITH HANDSHOWER AND METAL CROSS HANDLES| AETF88

TECHNICAL DETAILS

ADA Compliance: Yes
 Adjustable versus Fixed Spray: Fixed Spray
 Deck Thickness Maximum: 1 5/8"
 Deck Thickness Minimum: 0"
 Diameter of Head: 2"
 Escutcheon Primary Material: Brass
 Fittings Hole Diameter: 1 3/8"
 Handle Spread Maximum: 12"
 Handle Spread Minimum: 10"
 Handle Turn Angle: Quarter Turn
 Handshower / Spray Hose Length: 79"
 Depth / Width: 12"
 Height: 6"
 Inlet Connection Size: 3/4"
 Inlet Connection Type: Male NPT Adapter
 Inlet Supply Spread Maximum: 12"
 Inlet Supply Spread Minimum: 10"
 Installation Type: Deck Mounted
 Integrated Diverter: N
 Length: 21"
 Number of Handles: Two
 Number of Holes: Four Hole
 Pivot: N
 Primary Material: Brass
 Spout Swivel: N
 Suggested Application: Bath
 Valve Material: ceramic
 Water Pressure Maximum: 85.0 psi
 Water Pressure Minimum: 20.0 psi
 Water Pressure Recommended: 45.0 psi

INSPIRATION

Inspired by the stepped detail of 19th century telescopes, Aero is a combination of historical reference with a contemporary temperament. The result is original and modern, bringing a look of updated elegance.

CODES & STANDARDS

Code # AETU88: ASME A112.18.1, CSA B125, IAPMO, State of MA

PRODUCT FEATURES

Metal cross handles
 Lift knob located on top of spout to divert water between tub and handshower.
 Features signature stepped and gadrooned details on escutcheon
 Stocked in Chrome and Nickel
 Unrestricted flow for tub spout. Stocked in 2.5gpm (9.5L/min) flow rate for handshower. Alternate flow regulation of 1.75gpm (6.6/min) also available as special order

CERTIFICATIONS

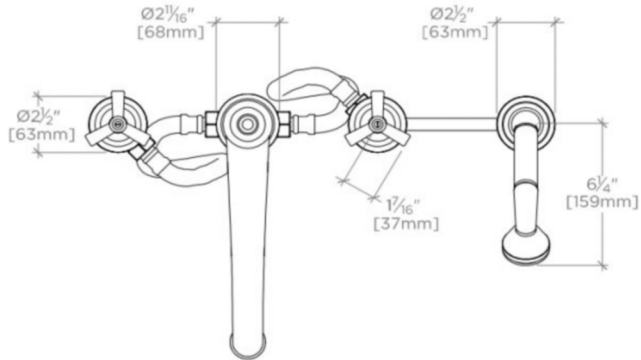


WATERWORKS

AERO

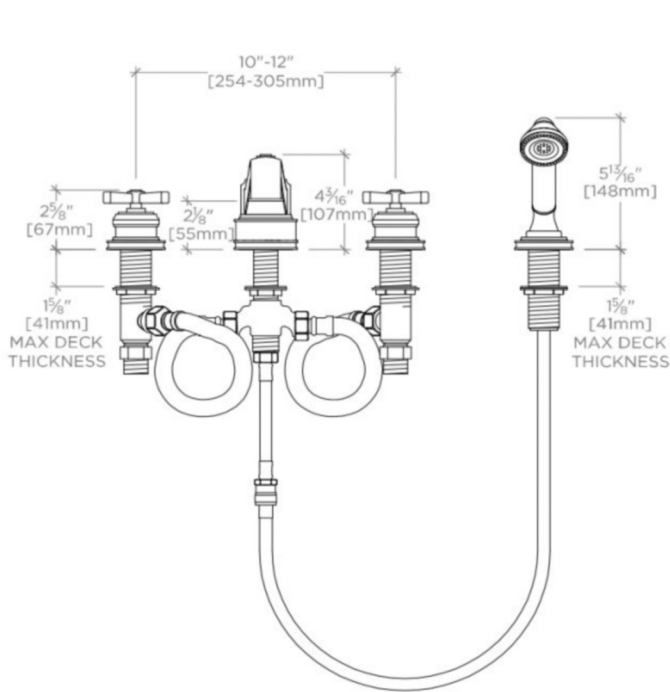
AETF88

Aero Low Profile Concealed Tub Filler With Handshower and Metal Cross Handles



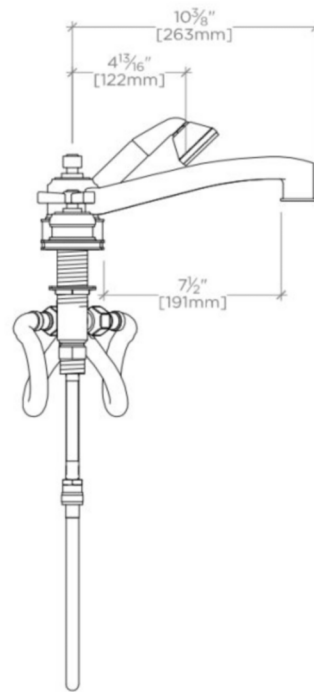
TOP VIEW

SCALE: 1 1/2"=1'-0"



FRONT VIEW

SCALE: 1 1/2"=1'-0"



SIDE VIEW

SCALE: 1 1/2"=1'-0"