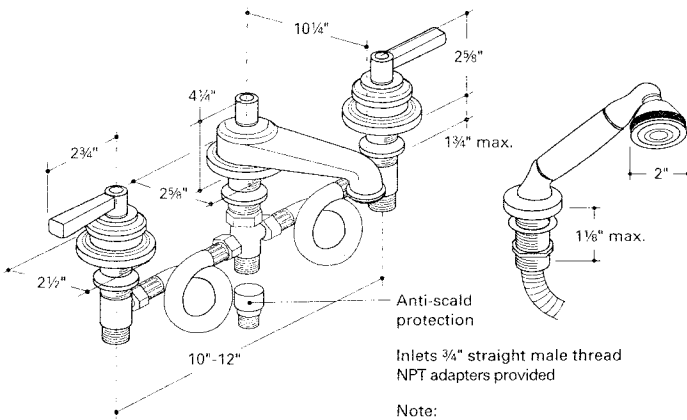


AETU 89

Anti-scald protection

Inlets $\frac{3}{4}$ " straight male thread
NPT adapters provided

Note:
Drilling hole sizes:
Sidevalves and handshower: $1\frac{1}{2}$ "
Spout: $1\frac{1}{4}$ "

Must have access panel
for servicing

INSTALLATION GUIDELINES

- Use only a protected, smooth-jawed, or strap wrench on any finished surface.
- For proper installation, the deck surface should be installed prior to mounting the mixer.
- It is recommended that an access panel be provided for future service.
- Check the specifications (left) for drilling hole sizes and suggested centers.
- Run $\frac{3}{4}$ " supply lines for maximum water flow.
- Accessible shut-off valves, which will facilitate servicing, are recommended for the hot and cold feed lines.
- To remove the trim from the valve body, loosen and remove the handle screw. The cover and escutcheon should be hand tight.
- **DO NOT** use putty on deck fittings. Upper and lower washers are provided.
- When you screw the escutcheon onto the deck valve body, expose several threads above it. Next, screw the valve cover down until it seats. Then move the escutcheon up until it loosely meets the bottom of the cover. Finally, tighten the bottom lock nut to secure the valve to the deck.
- Once the spout is securely mounted, install the flexible hoses between the spout and valve bodies using the gaskets provided.
- Be sure the cone-shaped end of the hose is attached to the handshower. To pull hose end through escutcheon, unscrew finish cover from escutcheon and remove plastic guide; pull hose through and reassemble.
- Connect the hand-shower hose to the anti-scald protection device located at the base of the spout's tee.
- **NOTE:** The anti-scald protection device will stop the flow of water exceeding a temperature of 115 degrees Fahrenheit.
- After installation, unscrew and remove the aerator assembly. Carefully open the hot and cold valves fully to flush out any debris in the supply lines. Once the lines have been flushed, close the valves and reinstall the aerator assembly.
- **IMPORTANT:** It is necessary to check for leaks and proper function of mixer prior to being enclosed.
- If further assistance is required, please contact Product Support at 1-800-927-2120 (8am-7pm EST).

These guidelines have been prepared for the professional contractor to aid in the installation of:
AERO CONCEALED TUB FILLER WITH HANDSHOWER (AETU 89)

All dimensions are based on original specifications and are subject to change and variation.
Please consult your Design Associate for current specifications.

W A T E R W O R K S