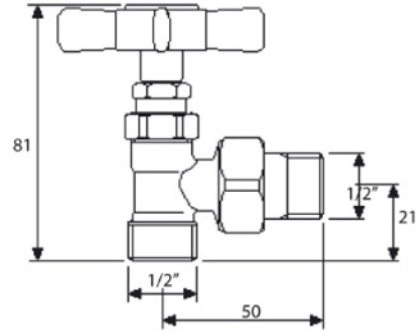
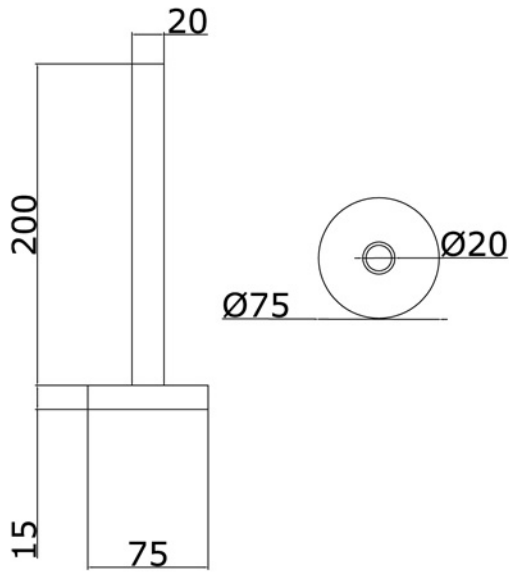


| TOWELWARMER Collection                 |   |
|--|---|
| Code                                   | Description   |
| 9082-C<br>9083-I/N/O/OR<br>9083-B/ND/R | <b>Park Lane towel warmer 575x870 mm (550 W - 473 Kcal/h t 50°)</b><br><br>Chrome<br>Incalux, Nickel, Dark Gold, Rose Gold<br>Bronze, Dark Nickel, Copper |



Verona - Italy  
 tel. +39 045 8006917  
 fax. +39 045 8020111  
 gentry-home.com



| TOWELWARMER Collection                 |  |
|--|--|
| Code                                   | Description  |
| 9127-C<br>9128-I/N/O/OR<br>9128-B/ND/R | <b>Valves (pair)</b><br>Chrome<br>Incalux, Nickel, Dark Gold, Rose Gold<br>Bronze, Dark Nickel, Copper<br><b>Fittings available</b><br>12/14/16 copper<br>12/14/16 covered |
| 9126                                   | Electrical element complete with thermostatic control  |



Verona - Italy  
 tel. +39 045 8006917  
 fax. +39 045 8020111  
 gentry-home.com