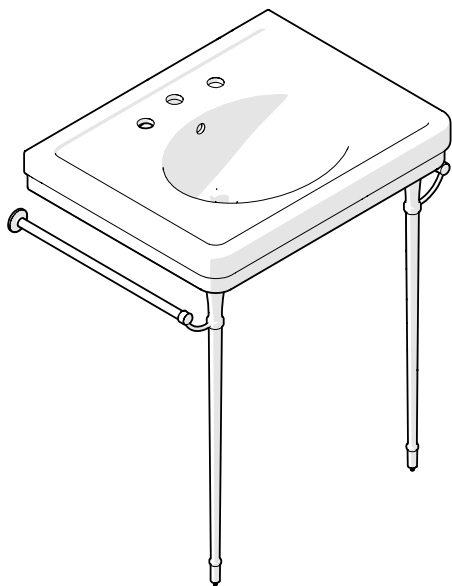
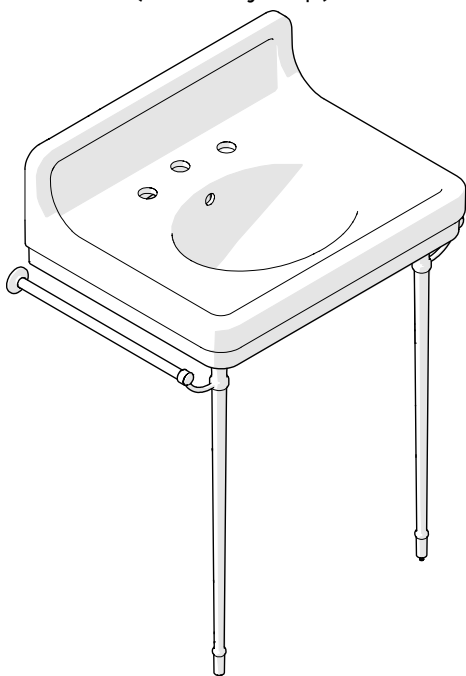


Style No. ALWS01* (Washstand Legs)
Style No. ALSK01 (Lavatory Top)



Style No. ALWS02* (Washstand Legs)
Style No. ALSK02 (Lavatory Top)



* Washstand Legs & Lavatory Top Sold Separately

SPECIFICATIONS:

- Drain Hole Depth: 2"
- Drain Hole Diameter: 1-3/4"
- Fitting Hole Diameter: 1-3/8"
- Let Material: Brass
- Recommended Rough-in Supply Height: 21"
- Recommended Rough-in Waste Height: 19"

IMPORTANT:

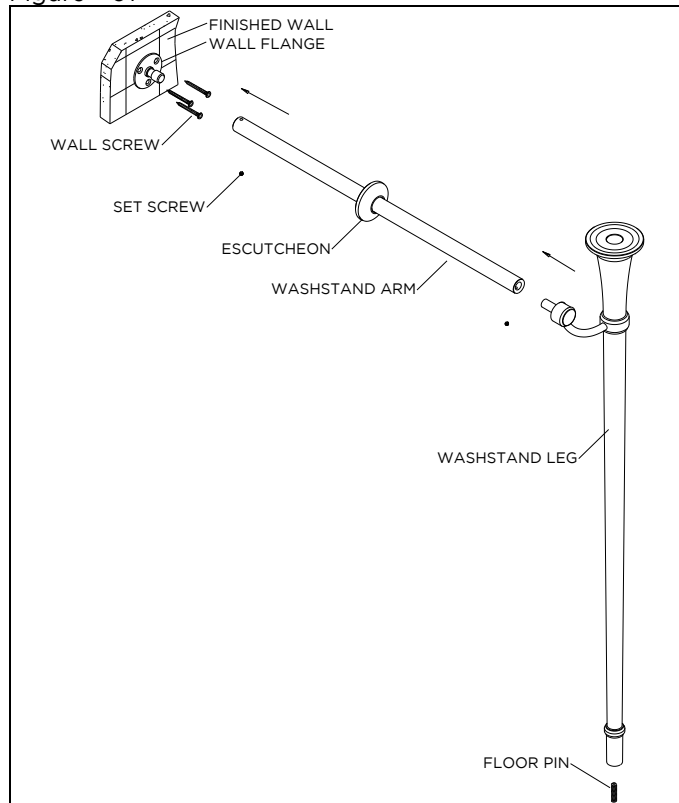
- To ensure this product is installed properly, you must read and follow these guidelines.
- The owner/user of this product must keep this information for future reference.
- Be sure your installation conforms to federal state, and local codes. In the State of Massachusetts, all installations must comply with the rules and regulations set forth within 248 CMR.
- This product must be installed by a professional licensed contractor and must be on-site prior to rough-in. This allows the installer to visualize the installation.
- Inspect this product to ensure you have all the parts required for proper installation.
- Use only a strap wrench or protected/smooth-jaw wrench on any finished surface.
- Blocking is recommended to ensure adequate support.

WASHSTAND INSTALLATION:

- See Figure-01, Figure-02, Figure-03 & Figure-04.
1. Attach the washstand arm to the washstand leg and secure with the setscrew. Be sure to rotate the arm so that the setscrew is facing downwards.
 2. Slide the wall escutcheon on the arm past the setscrew hole and insert the wall flange into the arm and secure with the setscrew. Repeat for the other side.
 3. Dry fit the legs with the lavatory top and mark the foot location.
- NOTE: IT IS CRITICAL TO VERIFY THE CENTER TO CENTER DIMENSIONS, AS VITREOUS CHINA IS SUBJECT TO VARIATIONS.
4. Drill 2 holes, 1/4" diameter and 1/2" deep on the floor, measured from Step 3.
 5. Install the foot pins on the bottom of the legs. Position the legs with foot pin into drilled holes and mark the wall flange location. Check to ensure that the legs are level prior to marking.
 6. Remove the legs and pre-drill the holes for the wall screws. If blocking has not been installed in the wall, drill holes for the wall anchors and insert them into the holes.

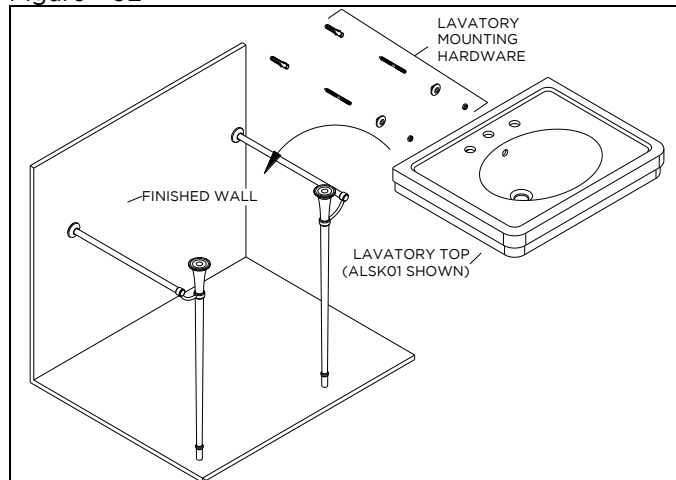
These guidelines have been prepared for the professional contractor to aid in the installation of:
ALDEN WASHSTAND LEGS (STYLE#S ALWS01 & ALWS02) WITH ALDEN LAVATORY SINK
(STYLE#S ALSK01&ALSK02)
All dimensions are based on original specification and are subject to change and variation.
Please consult your Design Associate for current specifications.

Figure - 01



7. Re-position the legs once more with the foot pins in the drilled holes and secure to the wall with the screws provided. Slide the escutcheons to the wall so they cover the flanges.
8. Position the lavatory top in place and mark the location of the lavatory mounting screws. Be sure the top is level prior to marking the locations.
9. Remove the lavatory top and install the mounting screws in the marked locations.
10. It is recommended for ease of installation, to mount the lavatory faucet at this point, prior to setting the top.
11. Apply a bead of adhesive silicone in the trough on top of the legs.
12. Re-position the lavatory top and check to ensure that it is sitting flush on top of the legs. Secure to the wall using the mounting hardware from the lavatory top.
13. Wipe away any excess silicone adhesive, using a soft damp cloth if necessary to remove.

Figure - 02



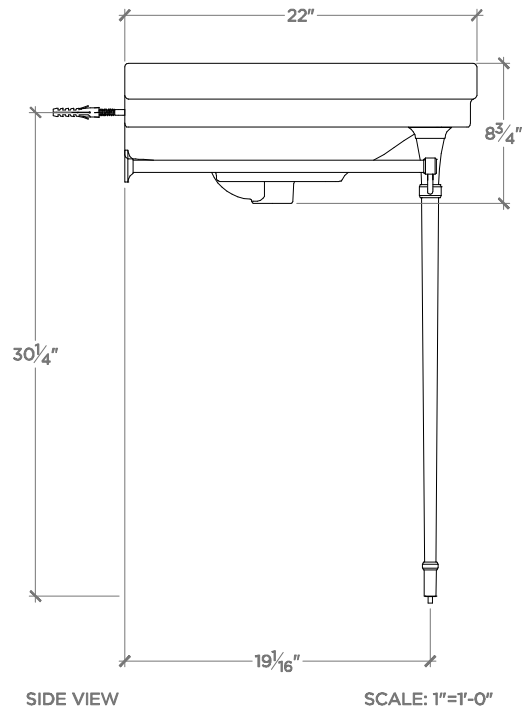
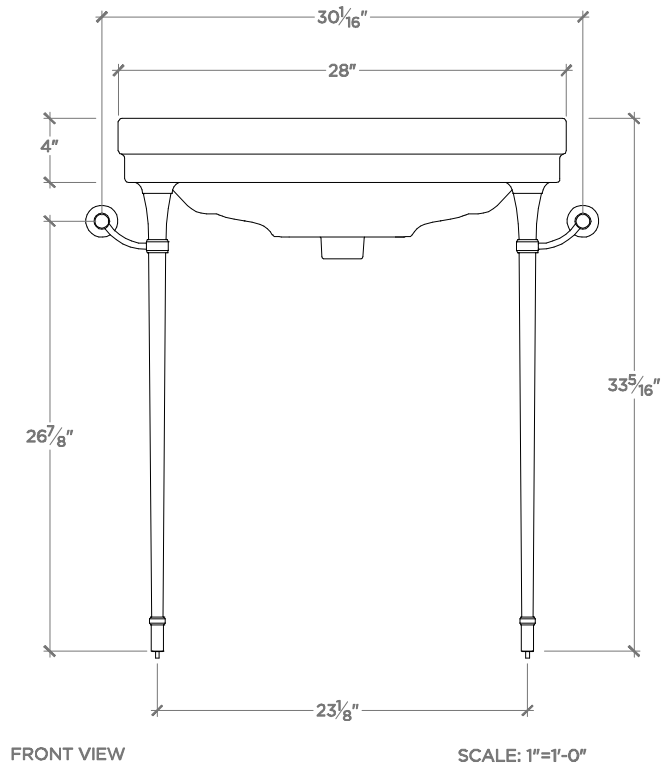
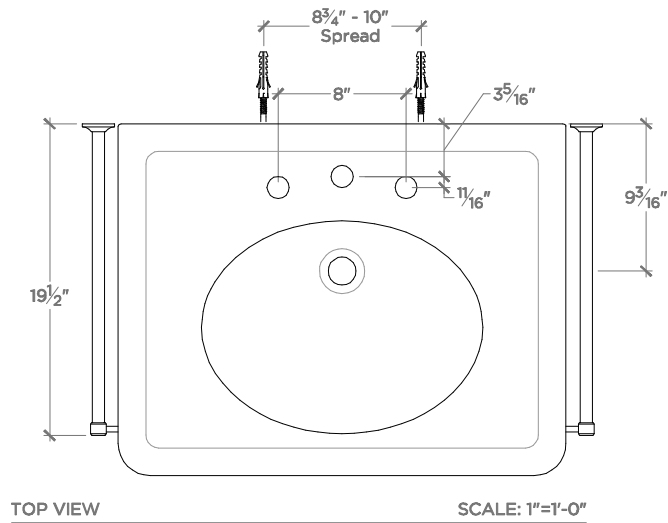
- If further assistance is required, please contact Product Support at 1-800-927-2120 (8am-6pm EST).
- See service part document for parts ordering, available on WATERWORKS.COM.

These guidelines have been prepared for the professional contractor to aid in the installation of: ALDEN WASHSTAND LEGS (STYLE#S ALWS01 & ALWS02) WITH ALDEN LAVATORY SINK (STYLE#S ALSK01 & ALSK02). All dimensions are based on original specification and are subject to change and variation. Please consult your Design Associate for current specifications.

WATERWORKS
STUDIO

Style No. ALWS01* (Washstand Legs)
Style No. ALSK01 (Lavatory Top)

Figure - 03

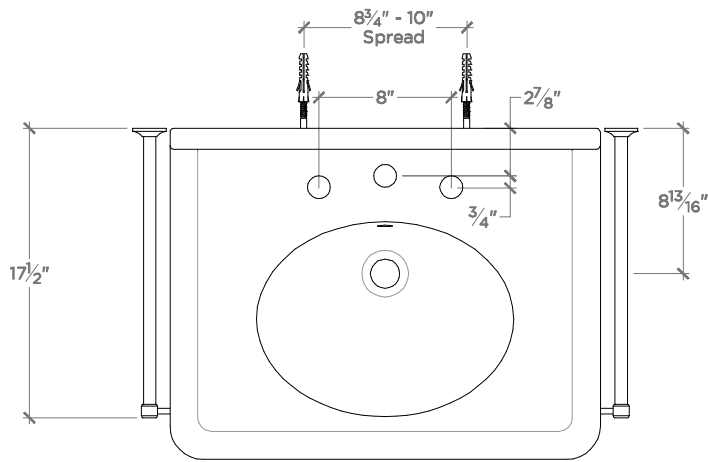


These guidelines have been prepared for the professional contractor to aid in the installation of:
ALDEN WASHSTAND LEGS (STYLE#S ALWS01 & ALWS02) WITH ALDEN LAVATORY SINK
(STYLE#S ALSK01&ALSK02)
All dimensions are based on original specification and are subject to change and variation.
Please consult your Design Associate for current specifications.

WATERWORKS
STUDIO

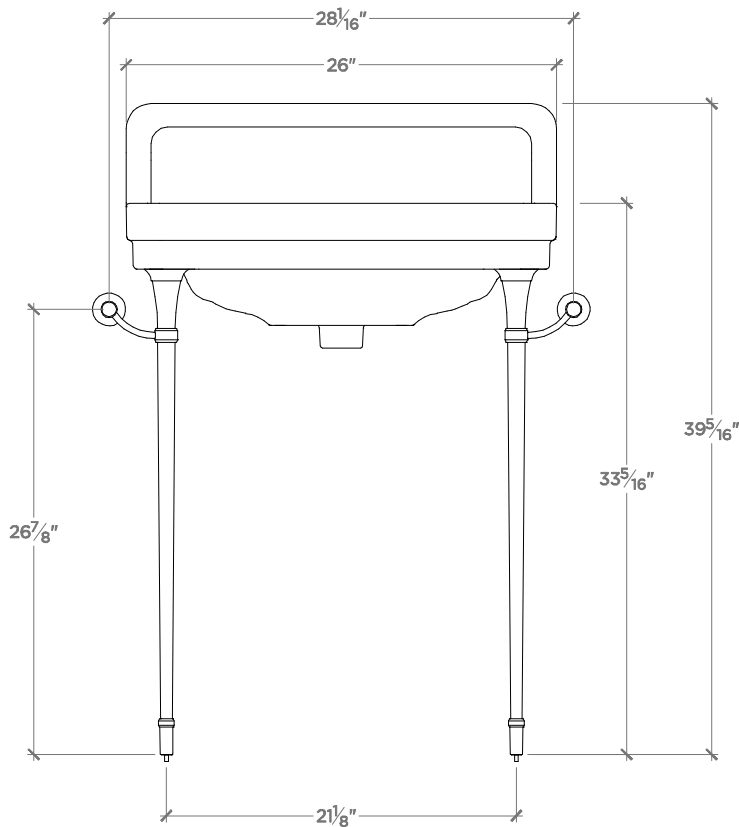
Style No. ALWS02* (Washstand Legs)
Style No. ALSK02 (Lavatory Top)

Figure - 04



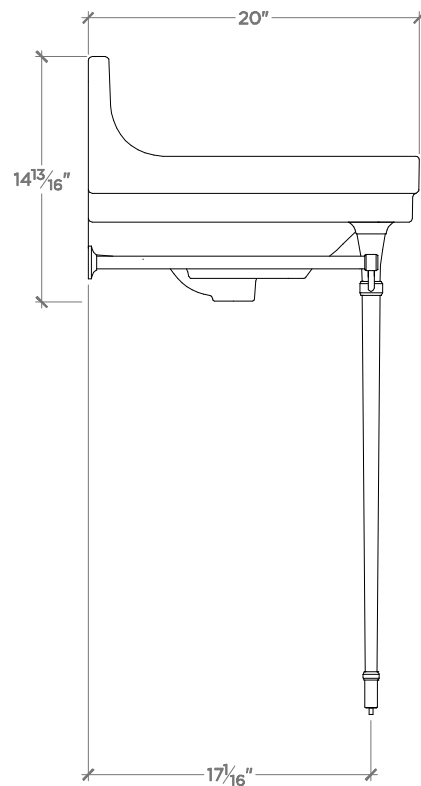
TOP VIEW

SCALE: 1"=1'-0"



FRONT VIEW

SCALE: 1"=1'-0"



SIDE VIEW

SCALE: 1"=1'-0"

These guidelines have been prepared for the professional contractor to aid in the installation of:
ALDEN WASHSTAND LEGS (STYLE#S ALWS01 & ALWS02) WITH ALDEN LAVATORY SINK
(STYLE#S ALSK01 & ALSK02)
All dimensions are based on original specification and are subject to change and variation.
Please consult your Design Associate for current specifications.

WATERWORKS
STUDIO