

MEM Two-hole mixer with individual rosettes - Brushed Durabron (23kt Gold)

MEM

32 815 682



- 241mm projection
- pivotable spout 360°
- Optional swivel limiter available with swivel limiter set 12 820 970 90
- air-enriched flow
- max. flow 6.3 l/min at 3 bar flow pressure
- lead-free
- This product can help a building meet the requirements of Green Building Rating Systems, e.g. LEED®, BREEAM®, DGNB
- WRAS 240102013

Operating unit can be positioned freely.

| | | |
|--|-------------------------------|---------------|
|  | Brushed Durabron (23kt Gold) | 32 815 682-28 |
|  | Chrome | 32 815 682-00 |
|  | Brushed Platinum | 32 815 682-06 |
|  | Platinum | 32 815 682-08 |
|  | Durabron (23kt Gold) | 32 815 682-09 |
|  | Dark Chrome | 32 815 682-19 |
|  | Matte Black | 32 815 682-33 |
|  | Brushed Champagne (22kt Gold) | 32 815 682-46 |
|  | Champagne (22kt Gold) | 32 815 682-47 |
|  | Brushed Chrome | 32 815 682-93 |
|  | Brushed Dark Platinum | 32 815 682-99 |

Recommended miscellaneous

Swivel limitation set - 12 820 970 90



Recommended miscellaneous

Strainer waste with control handle - Brushed Durabron (23kt Gold) 10 710 970-28

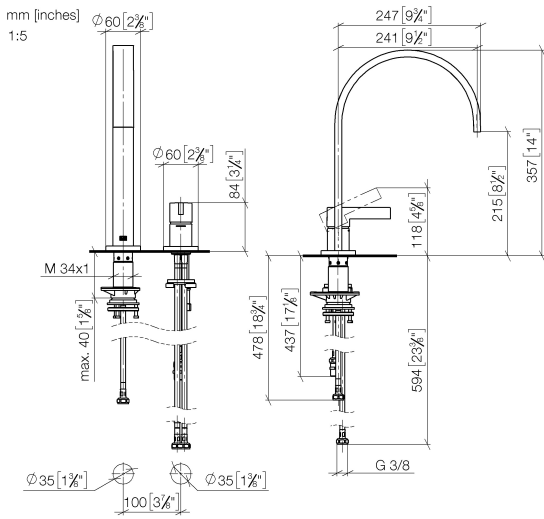


Recommended miscellaneous

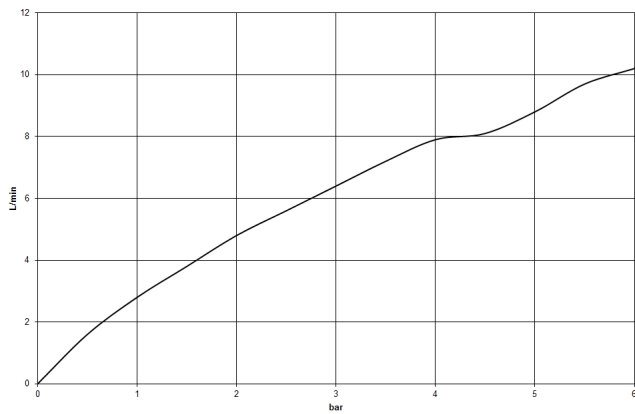
Dispenser with rosette - Brushed Durabron (23kt Gold) 82 444 970-28



32 815 682



Flow rate chart



Codes & Standards

DIN 4109

ISO 3822

Scottish Water
Byelaws

UK Water Supply
Regulations

Ü-Zeichen



MEM Two-hole mixer with individual rosettes - Brushed Durabronz (23kt Gold)

MEM

32 815 682

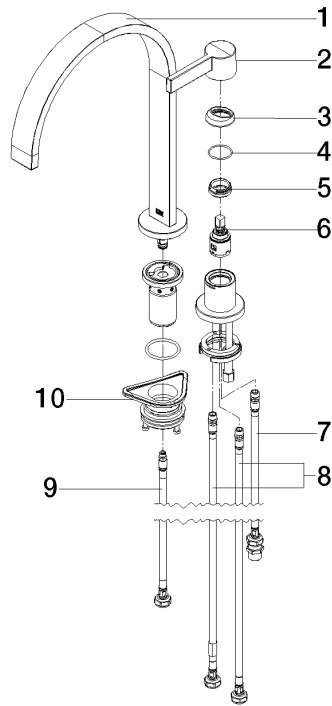
Certificates

WRAS_240102

LGA_38

32 815 682

Product version from 3/1/2023





MEM Two-hole mixer with individual rosettes - Brushed Durabrass (23kt Gold)

MEM

32 815 682

Spare parts list

Product version from 3/1/2023

| No. | Item Number | Name | Quantity used | Delivery time |
|-----|--------------------|-------|---------------|---------------|
| | 90 28 22 390 00-28 | spout | 11 | - |

Spare part can no longer be ordered, please order the replacement item