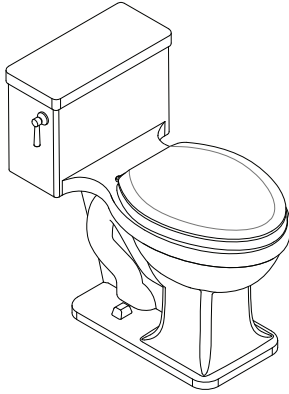
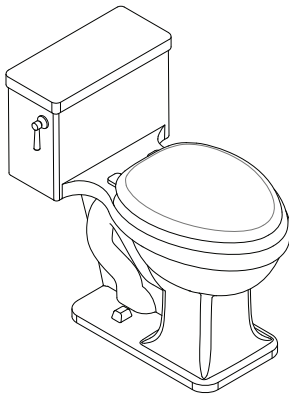


Alden Watercloset with Molded Wood Seat  
**STYLE No. ALWC01**



Alden Watercloset with Slow-Close Plastic Seat  
**STYLE No. ALWC02**



#### **SPECIFICATIONS:**

Drain Outlet: 3" and 4" Waste Lines  
 Flush Capacity: 1.28gpf  
 Maximum Water Pressure: 80psi  
 Minimum Water Pressure: 20psi  
 Recommended Water Pressure: 45psi  
 Waste Rough-In: 12" From Finished Wall

#### **IMPORTANT:**

- **To ensure this product is installed properly, you must read and follow these guidelines.**
- **The owner/user of this product must keep this information for future reference.**
- This product must be installed by a professional licensed contractor.
- Be sure your installation conforms to all federal, state, and local codes. In the State of Massachusetts, all installations must comply with the rules and regulations set forth within 248 CMR.
- **WARNING: RISK OF PROPERTY DAMAGE OR PRODUCT DAMAGE.** Do NOT use in-tank cleaners in your watercloset. Products containing chlorine (calcium hypochlorite) can seriously damage all items inside watercloset. This damage can cause leakage and property damage.

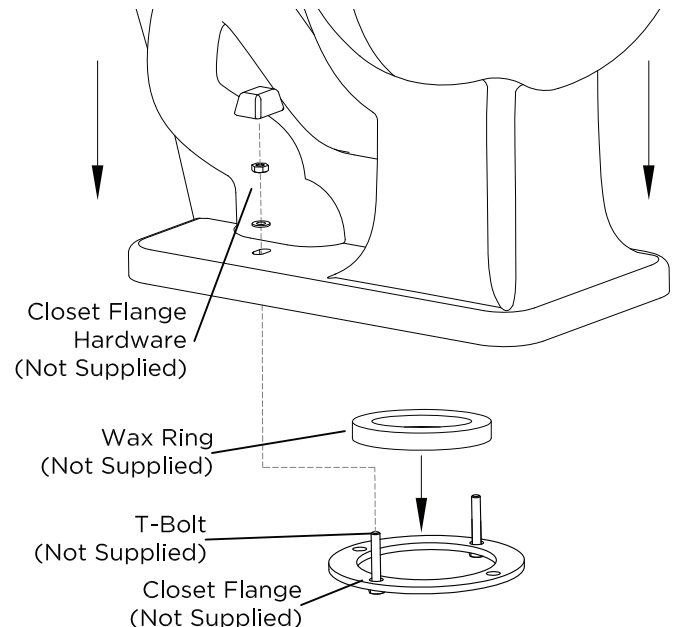
- Refer to the specification and assembly drawings attached. Product is sold partially assembled but shown fully disassembled for illustrative and service purposes only.
- Inspect the product to ensure you have all the parts required for proper installation.
- Use only a strap wrench or protected/smooth-jaw wrench on any finished surface.
- The use of certain plumber's putty may stain stone or tile surfaces.

#### **NOT SUPPLIED BY WATERWORKS:**

- Bowl Wax Ring
- Closet Flange
- Closet Flange Mounting Hardware (T-Bolts, Washers, and Nuts)

#### **WATERCLOSET INSTALLATION:**

- See Figure - 01 for Steps 1 - 5.



**FIGURE - 01**

1. Install new T-Bolts (not supplied) into closet flange (not supplied) with the threading facing upwards.
2. Place new wax ring (not supplied) onto top side of closet flange.
3. Carefully align watercloset (11) over closet flange and wax ring. Slowly lower so that T-Bolts pass through the slots on the bottom of the watercloset and wax ring makes a seal around the horn of the watercloset. When watercloset is properly aligned, press firmly on both sides of the rim until wax ring is set.

**CAUTION: DO NOT MOVE WATERCLOSET AFTER WAX RING HAS BEEN SET. WATER TIGHT SEAL MAY BE BROKEN.**

These guidelines have been prepared for the professional contractor to aid in the installation of:  
 ALDEN ONE-PIECE WATERCLOSET WITH MOLDED WOOD SEAT (STYLE No. ALWC01) AND SLOW-CLOSE PLASTIC SEAT (STYLE No. ALWC02).  
 All dimensions are based on original specification and are subject to change and variation.  
 Please consult your Design Associate for current specifications.  
 FOR SERVICE PARTS LIST SEE UNDER TANK LID.

**WATERWORKS**  
 STUDIO

4. Once watercloset (11) is set in place, the threading of the T-Bolts (not supplied) will be protruding through the slots. Place the washers (not supplied) and then thread the nuts (not supplied) onto T-Bolts.

**CAUTION: DO NOT OVERTIGHTEN NUTS AS IT MAY CAUSE DAMAGE TO WATERCLOSET.**

5. Place bolt caps (16) over the hardware, T-Bolts may need to be cut to fit caps.

#### FLUSH LEVER INSTALLATION:

- **IMPORTANT:** The Flush Lever is packaged separately from the Watercloset and is provided with detailed Installation Guidelines.
6. Follow the Installation Guidelines provided with the Flush Lever (Style No. 100555) to properly install the Lever.

#### SUPPLY WATER INSTALLATION:

- See Figure - 02 for Steps 7 - 10.

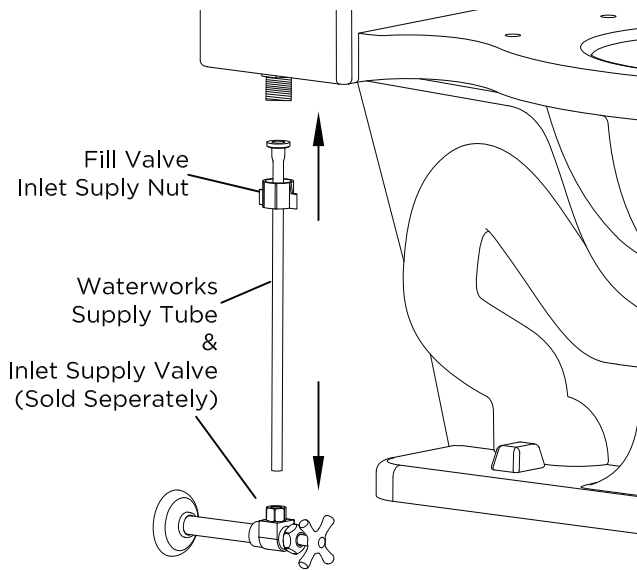


FIGURE - 02

7. Install Waterworks Inlet Supply Valve (sold separately) on house water supply and remove supply pipe that comes with the supply valve. Make sure water is off at this point.
8. Unthread fill valve inlet nut (15) and discard spacer (14) and rubber cone washer (13). Place speedi inlet tube through fill valve inlet nut and re-thread to bottom of fill valve. This is to be hand tight, DO NOT OVERTIGHTEN.
9. Reconnect speedi inlet pipe to the inlet supply valve, pipe may need to be cut or bent.
10. Make sure that all connections are tight, but not overtight, and turn on supply water. Once the watercloset tank is full, flush the lever several times and check for leaks.
11. Install tank lid (1) after completing these steps.

#### MOLDED WOOD SEAT INSTALLATION: ALWC01

12. Place threaded studs of the wood molded seat (17) through the holes on the rim of watercloset (11) and fasten

with the rubber washers (18) and plastic nuts (19) provided, on the underside of the rim. DO NOT OVERTIGHTEN.

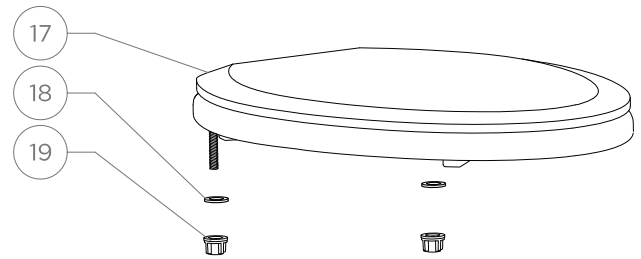


FIGURE - 03

#### SLOW-CLOSE PLASTIC SEAT INSTALLATION: ALWC02

- See Figure - 04 for Steps 13 - 15.

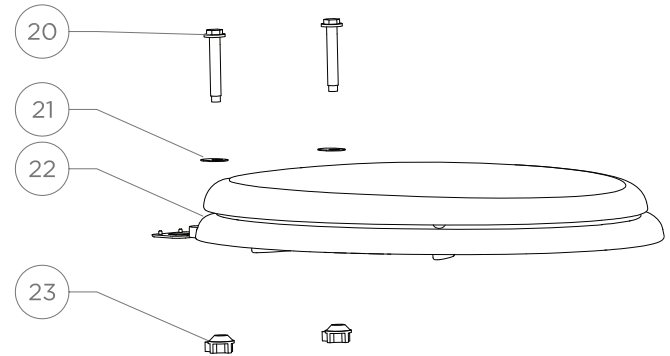


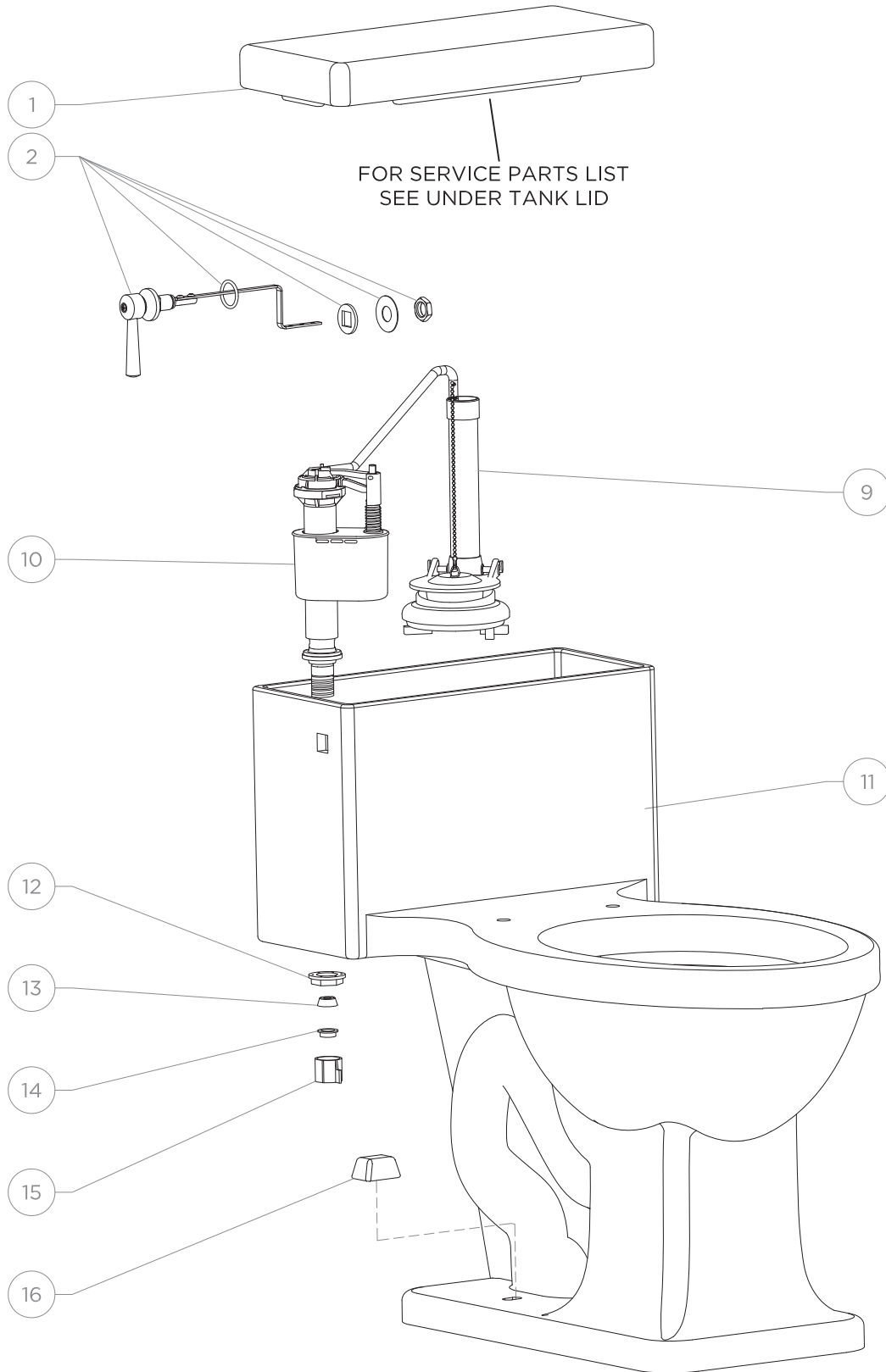
FIGURE - 04

13. Align plastic seat (22) over the rim of the watercloset (11). Place oval flat metal washers (21) into hinge hardware case. Make sure that washers are positioned so the seat is properly aligned.
14. Insert plastic screws (20) through the washer (21) and through the watercloset (11). Thread on the plastic nuts (23) on the underside of the rim and use a screw driver to tighten. DO NOT OVERTIGHTEN.
15. Close the latches on the hinge hardware case to complete this installation.
- If further assistance is required, please contact Product Support at 1-800-927-2120 Monday through Friday, 8am - 6pm EST.
- FOR SERVICE PARTS LIST SEE UNDER TANK LID.

These guidelines have been prepared for the professional contractor to aid in the installation of:  
ALDEN ONE-PIECE WATERCLOSET WITH MOLDED WOOD SEAT (STYLE No. ALWC01) AND SLOW-CLOSE PLASTIC SEAT (STYLE No. ALWC02).  
All dimensions are based on original specification and are subject to change and variation.  
Please consult your Design Associate for current specifications.  
FOR SERVICE PARTS LIST SEE UNDER TANK LID.

WATERWORKS  
STUDIO

Alden Watercloset Common Parts  
STYLE No. ALWC01 & ALWC02



These guidelines have been prepared for the professional contractor to aid in the installation of:  
ALDEN ONE-PIECE WATERCLOSET WITH MOLDED WOOD SEAT (STYLE No. ALWC01) AND SLOW-CLOSE PLASTIC SEAT (STYLE No. ALWC02).  
All dimensions are based on original specification and are subject to change and variation.  
Please consult your Design Associate for current specifications.  
FOR SERVICE PARTS LIST SEE UNDER TANK LID.

**WATERWORKS**  
STUDIO

COMMON PARTS		DESCRIPTION	QTY.
	1	Tank Lid	1
	2	Flush Lever	1
	9	Watercloset Plunger Assembly	1
	10	Watercloset Fill Valve	1
	11	Alden Watercloset	1
	12	Fill Valve Nut	1
	13	Rubber Cone Washer	1
	14	Plastic Spacer	1
	15	Fill Valve Inlet Supply Nut	1
	16	Bolt Cap	2
ALWC01 (Molded Wood Seat)	17	Molded Wood Seat	1
	18	Washer	2
	19	Nut	2
ALWC02 (Slow-Close Plastic Seat)	20	Plastic Screw	2
	21	Slow Close Plastic Seat	1
	22	Washer	2
	23	Toilet Seat Plastic Nut	2

These guidelines have been prepared for the professional contractor to aid in the installation of:  
**ALDEN ONE-PIECE WATERCLOSET WITH MOLDED WOOD SEAT (STYLE No. ALWC01) AND SLOW-CLOSE PLASTIC SEAT (STYLE No. ALWC02).**  
 All dimensions are based on original specification and are subject to change and variation.  
 Please consult your Design Associate for current specifications.  
**FOR SERVICE PARTS LIST SEE UNDER TANK LID.**

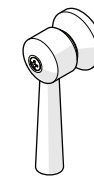
**WATERWORKS**  
STUDIO

# WATERWORKS

## INSTALLATION GUIDELINES

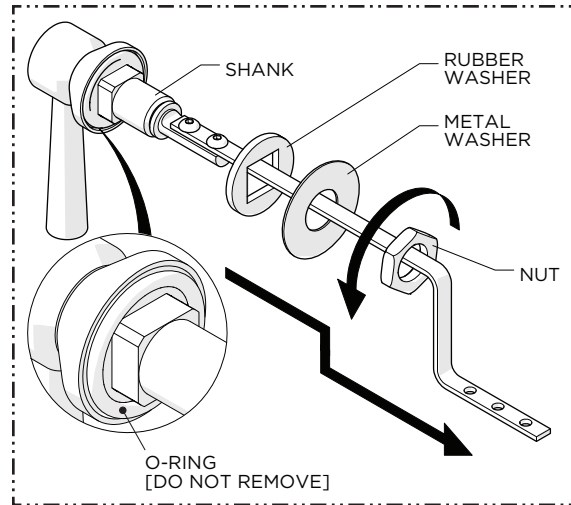
### IMPORTANT

- To ensure this product is installed properly, you must read and follow these guidelines.
- The owner/user of this product must keep this information for future reference.
- This product must be installed by a professional licensed contractor.
- Inspect this product to ensure you have all the parts required for proper installation.
- Use only a strap wrench or protected/smooth-jaw wrench on any finished surface.
- If further assistance is required, please contact Product Support at 1-800-927-2120 Monday through Friday, 8am - 6pm EST.

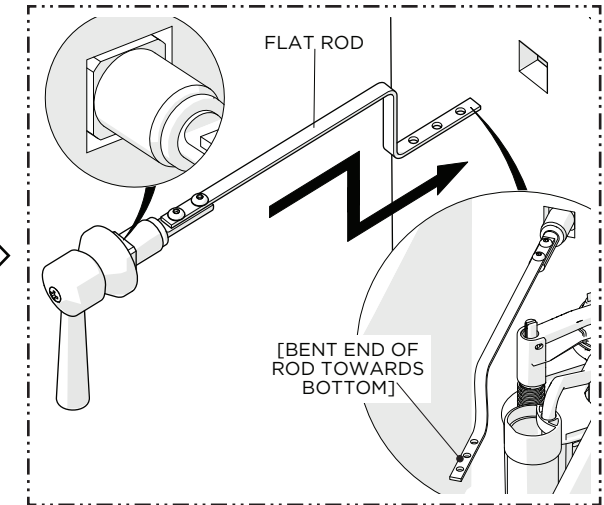


STYLE No. 100555

Universal Metal Flush Lever for Alden and Otis Watercloset

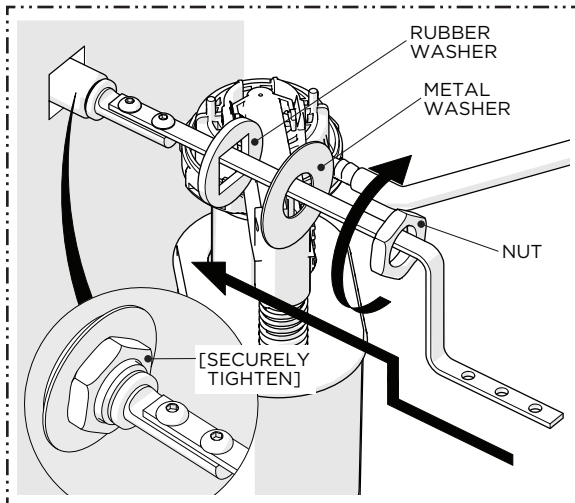


1. Remove the RETAINING NUT, METAL WASHER, and RUBBER WASHER from the FLUSH LEVER SHANK.

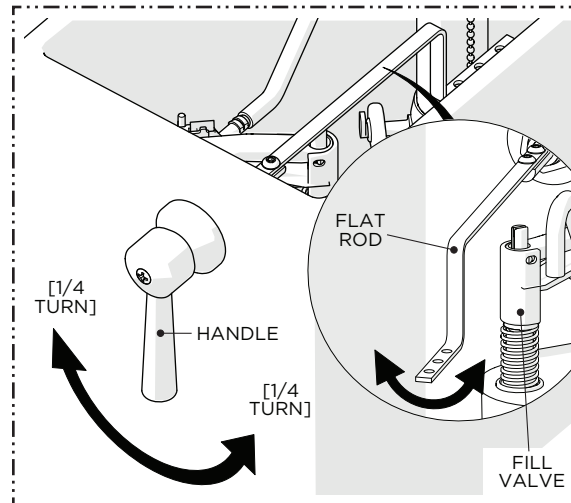


2. Insert the FLAT ROD through the hole on the WATERCLOSET making sure the BENT END of the ROD is orientated towards the BOTTOM.

**NOTE:** The back of the HANDLE is square shape so it fits properly in mounting hole.

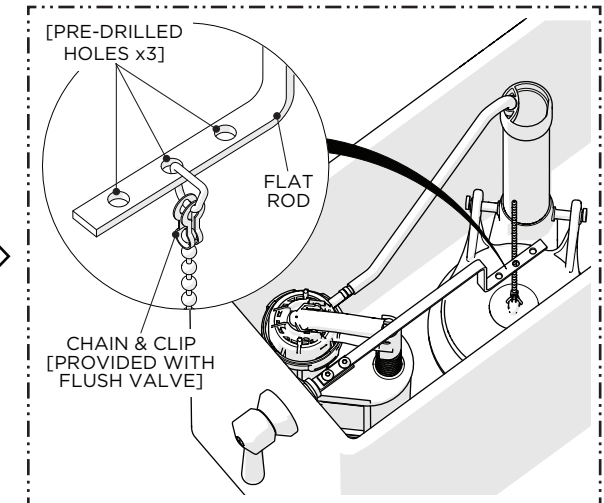


3. Re-install the RUBBER WASHER, METAL WASHER, and RETAINING NUT making sure to securely tighten the NUT.



4. Rotate the HANDLE forwards and backwards to ensure the ROD rotates freely and is not obstructed by anything include the FILL VALVE.

**NOTE:** The ROD should **NOT** be obstructed by anything including the FILL VALVE.



5. Using the CLIP provided with the FLUSH VALVE, connect the PULL CHAIN to one of the holes on the FLAT ROD. Adjust the CHAIN length and/or its position on the FLAT ROD to ensure the FLUSH VALVE is lifted when the HANDLE is rotated.