

# Fat pull handle, small - steel

## Tom Dixon collection

### Product

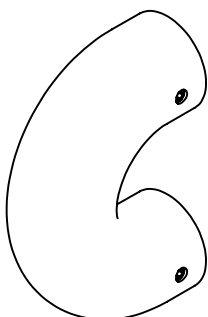
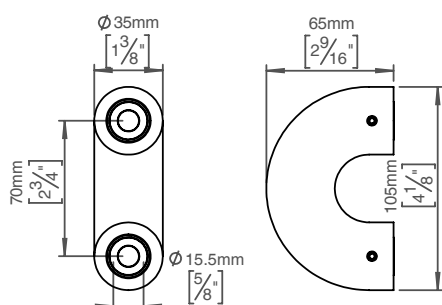
Bush, Ø35mm, cc 70mm, satin

### Tender text

FAT pull handle, small. Bush, Ø35mm, cc 70mm, satin finish. The FAT collection is a series of architectural hardware pieces designed by English industrial designer Tom Dixon. Manufactured in the highest quality marine grade, AISI 316 stainless steel, protecting against high levels of corrosion. W: 105mmxH: 65mmxD: Ø35mm. 20-year warranty.

### Product specification

Dimensions: 105x65mm. Diameter: Ø35mm.  
Material: stainless steel AISI 316  
Surface finish: satin grain 320, crafted by hand  
[20-year warranty \(5 years for coated items\)](#)



### Available finishes



Satin steel



Charcoal



Electric blue

### Spare parts/ accessories

14491792303 - Bush head bolt M10x30mm  
14491792605 - Bush head bolt M10x60mm  
14970100077 - Grub screw M5x10mm, DIN 916  
14976500106 - Allen key 2.5mm  
14974102251 - Thrust rose Ø26.4x2mm  
12496500304 - Fitting f/glass door Ø10mm

### Mounting

<https://dline.com/mounting-instructions/>

8 pcs. per box

### Product care

d line products are produced in the highest quality marine grade AISI 316 stainless steel. To sustain the unique d line finish please follow the below instructions:

- Wash down the surfaces using soapy water or mild detergent
- Always thoroughly rinse off with clean water
- To complete the cleaning procedure dry/polish the surface with a soft dry cloth

Please do not use scouring powder, steel wool, chloride based detergents or other aggressive cleaning products as these may damage the surface.

If spots or corrosion appear on the surface it is not due to the stainless steel quality, but to impurities in the environment, aggressive conditions or improper or insufficient cleaning.