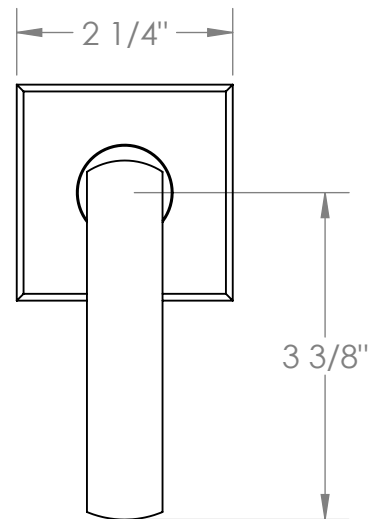
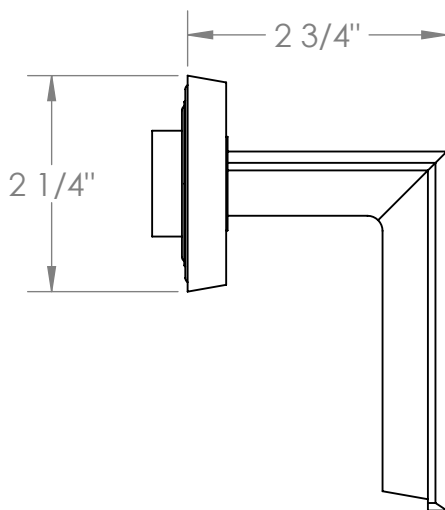


## 64-WTR-BR4

Wall Valve Trim Kit

For use with SS-TS200-C, SS-TS200-H, SS-TS150-C, SS-TS150-H,  
SS-WD2, SS-WD3, SS-VCWD2, or VCWD3 concealed roughs



Meets the applicable requirements of ASME A112.18.1-2005/CSA B125.1-05, entitled "Plumbing Supply Fittings"

**WATERMARK** DESIGNS 8/14/2019

350 Dewitt Ave Brooklyn NY 11207 USA T 718 257 2800 F 718 257 2144 info@watermark-designs.com