

MEM Concealed three-way diverter - Brushed Durabron (23kt Gold)

MEM

36 210 782



- rotary diverter
- rosette 60 x 60 mm
- WRAS 2307045

	Brushed Durabron (23kt Gold)	36 210 782-28
	Chrome	36 210 782-00
	Brushed Platinum	36 210 782-06
	Platinum	36 210 782-08
	Dark Chrome	36 210 782-19
	Brushed Champagne (22kt Gold)	36 210 782-46
	Champagne (22kt Gold)	36 210 782-47
	Brushed Dark Platinum	36 210 782-99

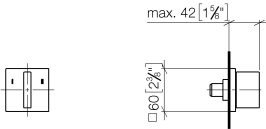
Required miscellaneous



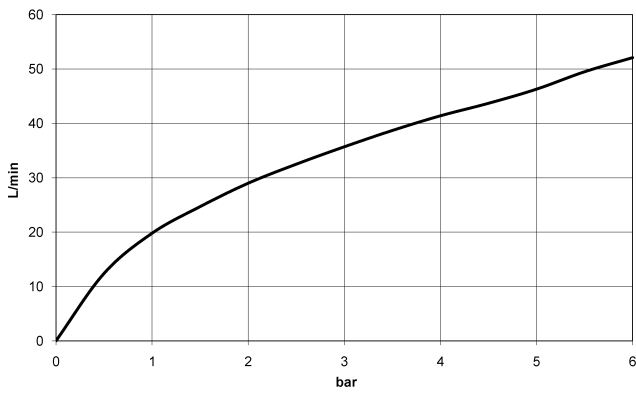
- Concealed three-way diverter -** 35 203 970 90
- max. recess depth 160 mm
 - min. recess depth 115 mm

36 210 782

mm [inches]



Flow rate chart



Codes & Standards

DIN 4109

ISO 3822

Scottish Water
Byelaws

UK Water Supply
Regulations

Ü-Zeichen



MEM Concealed three-way diverter - Brushed Durabrass (23kt Gold)

MEM

36 210 782

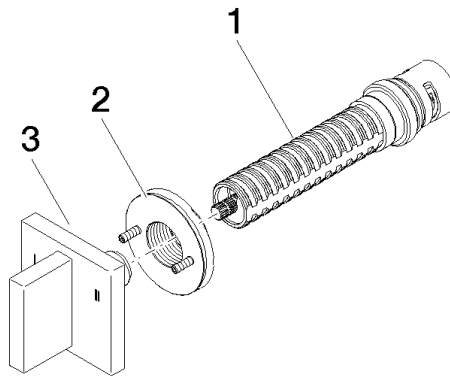
Certificates

WRAS_2307

LGA_38

36 210 782

Product version from 4/1/2022





MEM Concealed three-way diverter - Brushed Durabrass (23kt Gold)

MEM

36 210 782

Spare parts list

Product version from 4/1/2022

No.	Item Number	Name	Quantity used	Delivery time
	90 90 03 303 10 90	diverter	3	2