



Tresham® Oval

Drop-in Bathroom Sink

K-2992-8

Features

- 8" (203 mm) centerset faucet holes.
- Oval basin with raised rim.
- Overflow drain.
- Coordinates with other products in the Tresham collection.
- 8" widespread faucet drilling.

Material

- Vitreous china.

Installation

- Drop-in.

Recommended Products/Accessories

- K-8998 P-Trap
- K-23726 Drain treatment
- K-23725 Cast iron cleaner



Codes/Standards











ASME A112.19.2/CSA B45.1

KOHLER® One-Year Limited Warranty

See website for detailed warranty information.

Available Colors/Finishes

Color tiles intended for reference only.

Color	Code	Description
	0	White
	96	Biscuit
	47	Almond
	NY	Dune
	95	Ice™ Grey
	G9	Sandbar
	33	Mexican Sand™
	K4	Cashmere
	58	Thunder™ Grey
	7	Black Black™

1-800-4KOHLER (1-800-456-4537)

Kohler Co. reserves the right to make revisions without notice to product specifications.

For the most current Specification Sheet, go to www.kohler.com.

5-1-2020 06:14 - US/CA

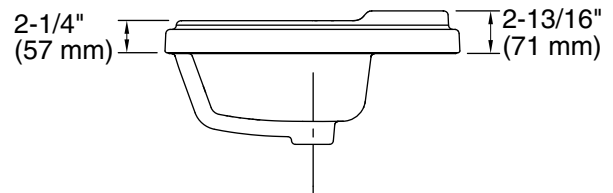
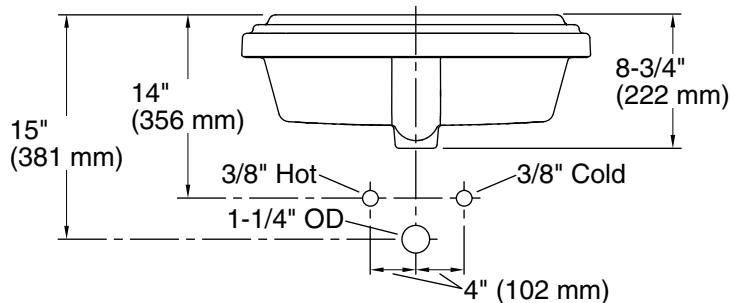
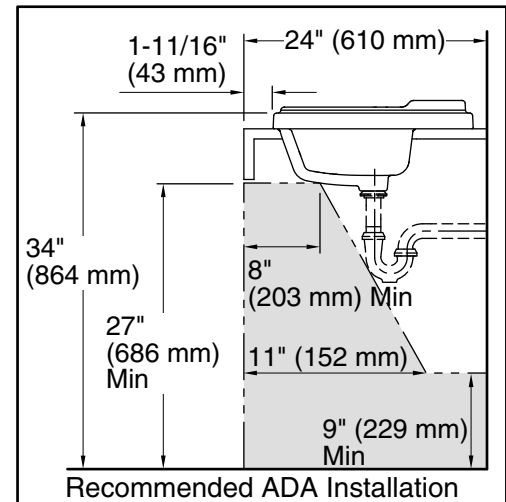
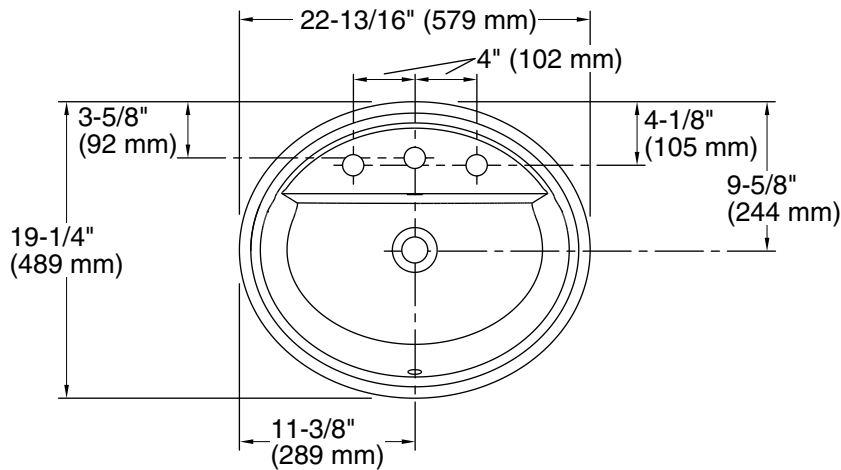
THE BOLD LOOK
OF **KOHLER**®



Tresham® Oval

Drop-in Bathroom Sink

K-2992-8



Technical Information

All product dimensions are nominal.

- Bowl configuration: Single
Installation: Drop-in
Bowl area (Only): Length: 20-1/16" (510 mm)
Width: 11-15/16" (303 mm)
Water depth: 6-1/16" (154 mm)
Number of deck holes: 3
Faucet hole spacing: 8" (203 mm)
Faucet hole(s): 1-3/8" (35 mm)
Drain hole: 1-3/4" (44 mm)
Template: 1162720-7, required, included

Notes

- Install this product according to the installation instructions.
- NOTICE: Countertop manufacturer or cutter must use the cut-out template provided with the product, or a current one provided by Kohler Co. (call 1-800-4KOHLER). Kohler Co. is not responsible for cutout errors when the incorrect cut-out template is used.