



# IB RUBINETTI

Collection

## REFLEX

Article

## RX090

Description

### Hand shower

Box Dimensions

220 x 120 x 40 mm

Weight

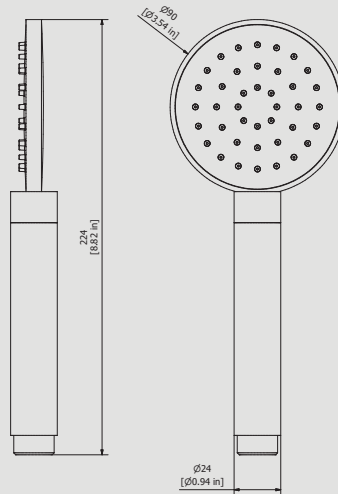
0.5 kg

Finishes

- **CC** CHROME
- **CF** BLACK CHROME
- **OO** GOLD
- **BB** ANTIQUE BRONZE
- **SS** BRUSHED NICKEL
- **CS** BRUSHED BLACK CHROME
- **BO** MATT WHITE
- **NP** MATT BLACK
- **IS** BRUSHED PALE GOLD
- **OS** BRUSHED GOLD
- **II** PALE GOLD
- **RR** ANTIQUE COPPER
- **RS** ROSE GOLD
- **ON** NATURAL BRASS
- **SR** BRUSHED ROSE GOLD
- **PL** PLATINUM



Dimensions



Cartridge

Treaded fitting

**Treaded fitting G1/2" male**

Aerator

Flow Rate (+/-10%)

**1 BAR**  
7.2 l/min

**2 BAR**  
10.5 l/min

**3 BAR**  
13.2 l/min

Production

**Main body is a machined from a solid pieces**

Material

**BRASS**  
**According to CuZn39Pb3 (CW614N)**  
**Max Lead content: 2.5%**

IB RUBINETTERIE s.p.a  
via dei Pianotti 3/5  
25068 Sarezzo (BS) - Italy -

T. +39 030 802101  
F. +39 030 803097  
info@ibrubinetterie.it

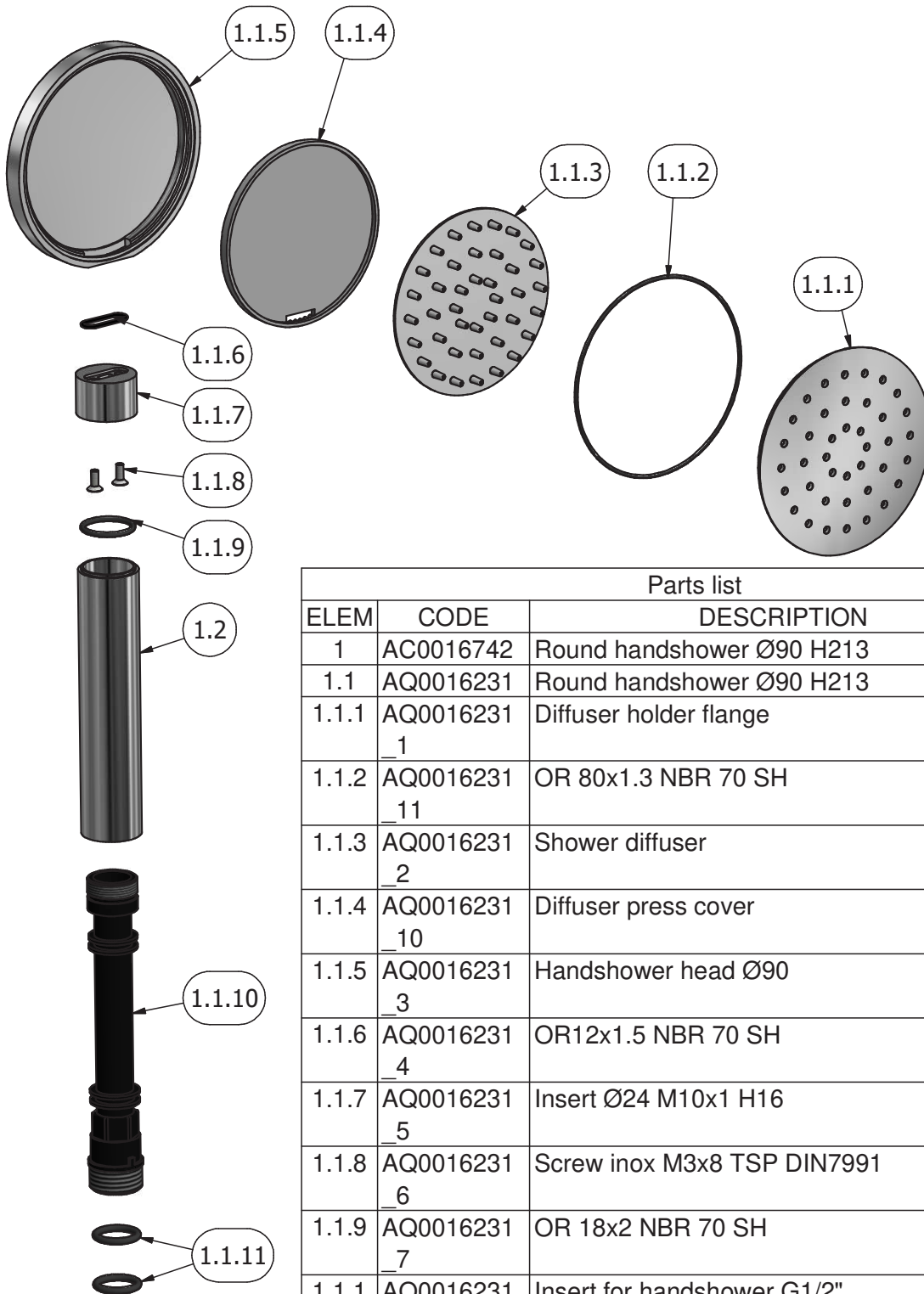
P.IVA 01785230986  
capitale sociale  
€420.000,00 i.v.

WWW.IBRUBINETTI.IT





# IB RUBINETTI



Parts list			
ELEM	CODE	DESCRIPTION	QT
1	AC0016742	Round handshower Ø90 H213	1
1.1	AQ0016231	Round handshower Ø90 H213	1
1.1.1	AQ0016231 _1	Diffuser holder flange	1
1.1.2	AQ0016231 _11	OR 80x1.3 NBR 70 SH	1
1.1.3	AQ0016231 _2	Shower diffuser	1
1.1.4	AQ0016231 _10	Diffuser press cover	1
1.1.5	AQ0016231 _3	Handshower head Ø90	1
1.1.6	AQ0016231 _4	OR 12x1.5 NBR 70 SH	1
1.1.7	AQ0016231 _5	Insert Ø24 M10x1 H16	1
1.1.8	AQ0016231 _6	Screw inox M3x8 TSP DIN7991	2
1.1.9	AQ0016231 _7	OR 18x2 NBR 70 SH	1
1.1.10	AQ0016231 _9	Insert for handshower G1/2"	1
1.1.11	AQ0016231 _8	OR 13.95x2.62 NBR 70 SH	2
1.2	AC0016644	Knob Ø24 H.110.5	1

**WARRANTY**

All IB Rubinetterie SpA products are warranted for 10 years from the date of purchase, for the following cases:

- Defects of casting, porosity and chrome plating.
- Operating defects caused by incorrect fabrication.

The warranty provides for repair or replacement of products with fabrication defects recognized by our technical office. There is no other type of compensation anche the merchandise must be returned FOB our warehouse. The warranty only cover surface defects (scatches, dings, etc.) on fitting that have not been installed and used, returned in its original packaging with all components. O-ring, gasket seals and components subject to wear proportional to use are warranted for 2 years.

**The warranty is void in the following cases:**

Error installing and putting the product into service.

Deterioration of finished surfaces due to use of cleaning products containing acids or abrasive substances. Deterioration of surface with finishes other than chrome plating. Their durability is, in fact, dependent on the user's care and gentleness of use.

Deterioration of the fitting due incorrect installation.

Improper repairs and maintenance performed without the company's prior authorization.

The warranty from IB Rubinetterie SpA is not renewable.

**Cleaning**

We recommended cleaning the finish surfaces with water and soap, using a soft cloth.

Do not use detergents that contain hydrochloric acid or abrasive substances.

