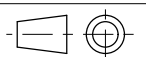


**GESSI**

**CONO 45901**

LAVABO DA APPOGGIO E SOTTOPIANO 400X400X120

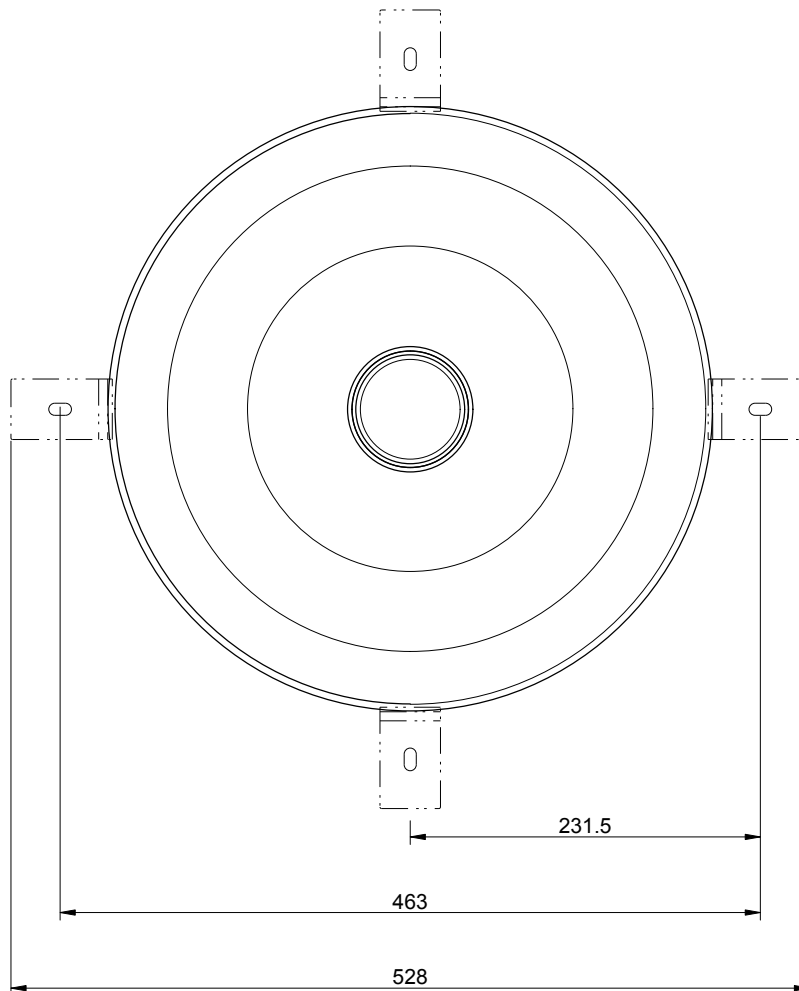
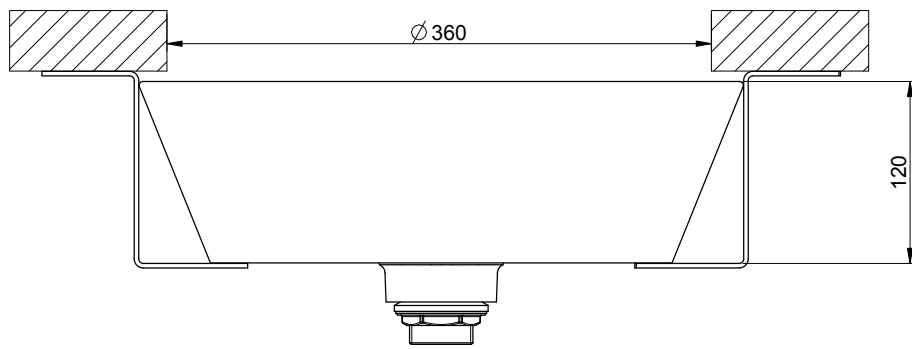
Formato **A4**



Dis.: GPF4590100000G000

Gessi S.p.A. Parco Gessi, 13037 Serravalle Sesia (Vercelli) Italy Tel. 0039 0163 454111 Fax. 0039 0163 453150 www.gessi.com e-mail: gessi@gessi.it

This drawing by its legislation cannot be disclosed or reproduced without a written authorization released by GESSI S.p.A. - 2014 Copyright® GESSI S.p.A.

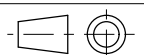


**GESSI**

**CONO 45901**

LAVABO DA APPOGGIO E SOTTOPIANO 400X400X120

Formato **A4**



Dis.: GPF4590100000G000

Gessi S.p.A. Parco Gessi, 13037 Serravalle Sesia (Vercelli) Italy Tel. 0039 0163 454111 Fax. 0039 0163 453150 www.gessi.com e-mail: gessi@gessi.it

*This drawing by its legislation cannot be disclosed or reproduced without a written authorization released by GESSI S.p.A. - 2014 Copyright® GESSI S.p.A.*