

E60219



Collection: MICROMÉGA DUO

Finish*:



00 - White

Main features:



Features

- DIMENSIONS: 150 x 100 x 44 cm
- MATERIAL: Acrylic
- VOLUME (L): 205/135
- FOOT HEIGHT: 123/170
- VERSION: Gauche
- STEP: Not supplied
- OPTIONAL COORDINATING PANEL: Yes
- BATH WELL LENGTH: 92.5 cm
- TWO-PERSON BATH: No
- GUARANTEE: 10 years
- Available with whirlpool system
- WEIGHT: 19 kg
- INSTALLATION TYPE: Drop-in
- SHAPE: Asymmetric
- WASTE DIAMETER: 5,2 cm
- FEET: Supplied
- WASTE : Not supplied
- OPTIONAL COORDINATING BATHTHSCREEN: Yes
- BATH WELL WIDTH: 60 cm
- CAN BE EQUIPPED WITH A WHIRLPOOL SYSTEM: Yes
- BOTTOM DIMENSIONS: 92.5 x 60 cm

Consumer benefits

- COMFORT: Wide showering space
- BATHING ENJOYMENT: Built-in ergonomic headrest and gently-sloping back

Required products

- E6D015: Extra-slim waste with overflow

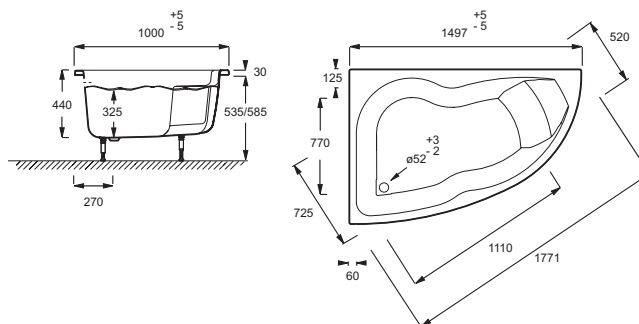
Installation benefits

- EASIER INSTALLATION: "Easy" version for fast installation with factory-fitted frame and panel

Optional products

- E4910
- E6174

Technical drawing



Product Specification: Asymmetric bath 150 x 100 cm, LH. E60219. Collection: MICROMÉGA DUO. DIMENSIONS: 150 x 100 x 44 cm. WEIGHT: 19 kg. MATERIAL: Acrylic. INSTALLATION TYPE: Drop-in. VOLUME (L): 205/135. SHAPE: Asymmetric. FOOT HEIGHT: 123/170. WASTE DIAMETER: 5,2 cm. VERSION: Gauche. FEET: Supplied. STEP: Not supplied. WASTE : Not supplied. OPTIONAL COORDINATING PANEL: Yes. OPTIONAL COORDINATING BATHTHSCREEN: Yes. BATH WELL LENGTH: 92.5 cm. BATH WELL WIDTH: 60 cm. TWO-PERSON BATH: No. CAN BE EQUIPPED WITH A WHIRLPOOL SYSTEM: Yes. GUARANTEE: 10 years. BOTTOM DIMENSIONS: 92.5 x 60 cm. Available with whirlpool system.