

### Features

- Performance showering packages offer increased functionality and simplify the ordering process.
- Single lever handle provides on/off activation and temperature setting with a single operation.
- Multifunction showerhead offers wide coverage, therapeutic massage, and soft aerated spray settings.
- Multifunction handshower offers wide soft coverage, soft pulse, and soft aerated spray settings.
- Includes handshower, showerhead, shower arm with diverter, shower hose, sidebar kit, and Rite-Temp® valve trim.
- Trim only; requires K-304 Rite-Temp pressure-balancing valve (sold separately).
- Coordinates with Forté faucets and accessories.

### Material

- KOHLER finishes resist corrosion and tarnishing.

### Installation

- Wall-mount.

### Recommended Replacements

- This product is replaced by 22180.

### Required Products/Accessories

K-304/K-P304 Series Rite-Temp® Valves

or

K-8304/K-P8304 Series Rite-Temp® Valve & Cartridge Kits

or

K-8300/K-P8300 Series Rite-Temp® Valve Body Rough-ins

K-8305/K-P8305 Series Rite-Temp® Cartridges

or

K-2971-KS 3/4" Pressure-balancing Valve

### Recommended Products/Accessories

K-23723 Faucet cleaner

### Optional Products/Accessories

K-10350 Deep Rough-In Kit For K-8305 Cartridges

K-10351 Test Cap For K-8300 Series Valve Bodies

### Included Components

Product consists of:

K-349 Sidebar Trim Kit

K-9514 60" Shower Hose

K-9511 Showerarm and Diverter

K-8524 30" Sidebar

K-10284 Wall-mount Showerhead

K-T10277-4 Valve Trim

1055527 Handshower Relaxing



### Codes/Standards

ASME A112.18.1/CSA B125.1



DOE - Energy Policy Act 1992

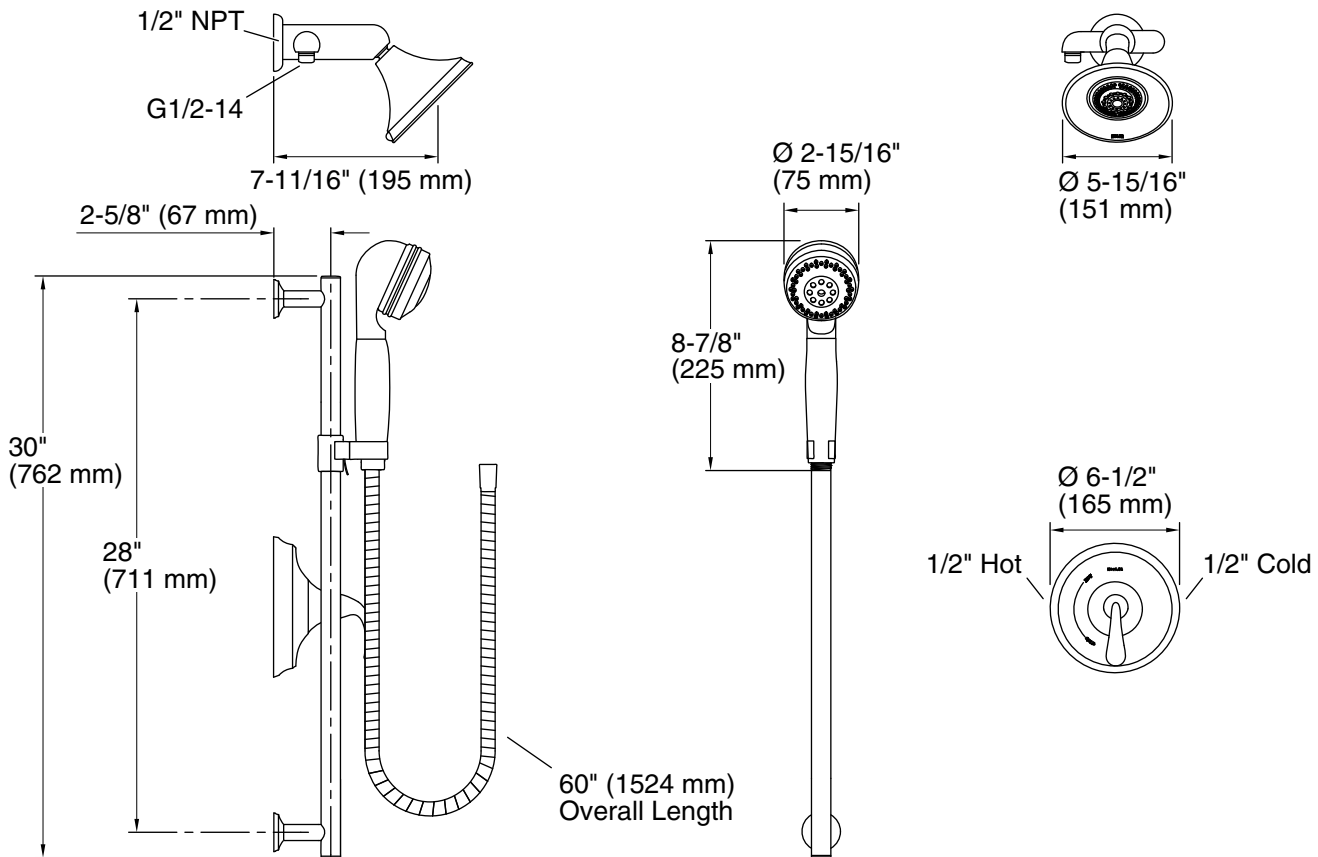
### KOHLER® Faucet Lifetime Limited Warranty

See website for detailed warranty information.

### Available Colors/Finishes

*Color tiles intended for reference only.*

Color	Code	Description
	CP	Polished Chrome
	BN	Vibrant® Brushed Nickel



### Technical Information

All product dimensions are nominal.

Drain included: No

#### Handshower:

Rated maximum flow: 2.5 gal/min (9.5 l/min)

Pressure: 80 psi (5.5 bar)

#### Showerhead/Body Spray:

Rated maximum flow: 2.5 gal/min (9.5 l/min)

Pressure: 80 psi (5.5 bar)

### Notes

Install this product according to the installation guide.

Install the Rite-Temp® valve according to the valve installation guide.