

S40 - 500 / 600 / 800

Materials

- **Front Panels (Thickness = 16mm):**
 - Gloss White: Laminated particle board lacquered with UV High Gloss polyester paint.
 - Natural, Bay Pine: Laminated particle board.
- **Side Panels (Thickness = 16 mm):**
 - Gloss White, Gloss Grey: Laminated particle board lacquered with UV High Gloss polyester paint.
 - Natural, Bay Pine: Laminated particle board.
- **Internal Structure panels (Thickness = 16mm):** Laminated particle board.

* All panels used in the manufacture of this unit are classed as E-1 grade with low level of formaldehyde content..

*Trim varies according to design: PVC, ABS. (edged with PUR glue)

- **Drawers:** wooden drawer exclusively design "Carbon TX" high-end hidden runners with total extraction, soft close and Side and height adjustment. Maximum load capacity: 30 kgs

Metal Fittings

- **Wall brackets:** high resistance wall brackets with two independent regulations. Certificate according to DIN 68840 (equivalent to 130kg of final load per set).
- **Handles:** Integrated gripper handles of gloss anodized aluminum

Packaging Dimensions and weight (mm).

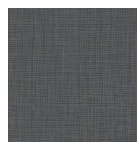
	500	600	800
Lenght mm.	545	645	845
Depth mm.		430	
Height mm.		615	
Net weight Kg.	15,1	16,9	20,4
Gross weight Kg	17,1	19	22,8

Wash basins available

- 500 / 600 / 800 : Iberia.



Interior drawer finishes



carbon-TX
by Salsar

Vanity finishes



Gloss white

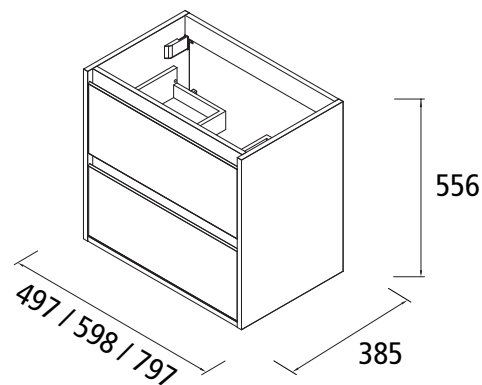


Natural



Bay Pine

Vanity dimensions



Free space for water pipe

