



**SERIES VRB140**

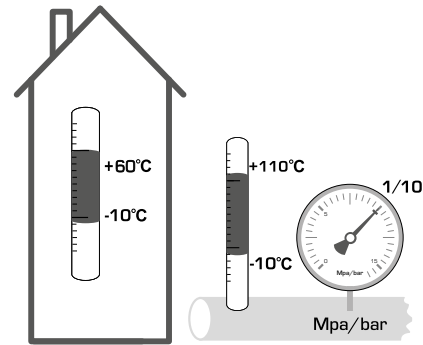


Mtrl.nr. 9814 02 71 • Ritn.nr. 7047 utg. E • Rev. 1605

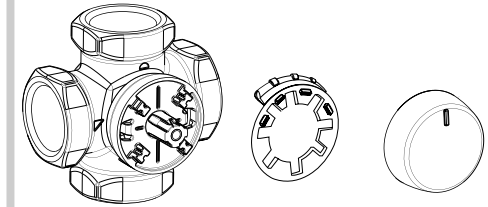


Series VRB141  
Series VRB142  
Series VRB143  
CE

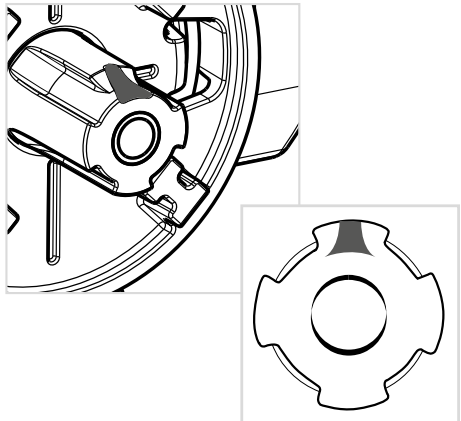
PED 2014/68/EU, article 4.3



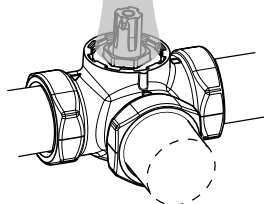
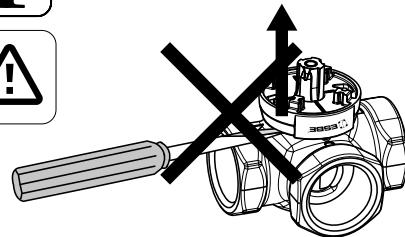
**1**



**i**

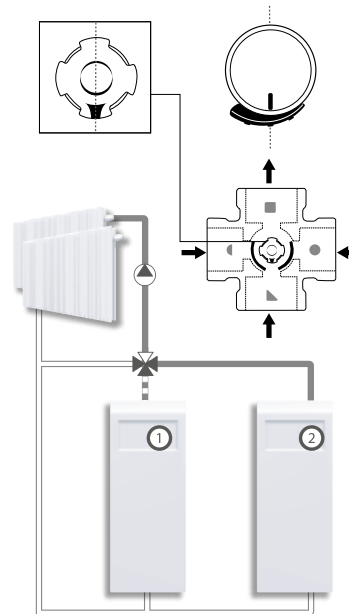


**i**

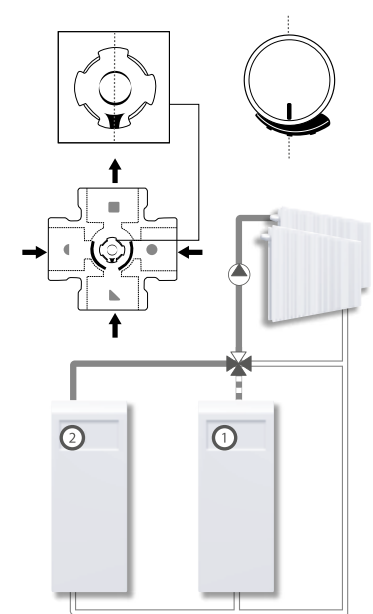


**2**

**a**



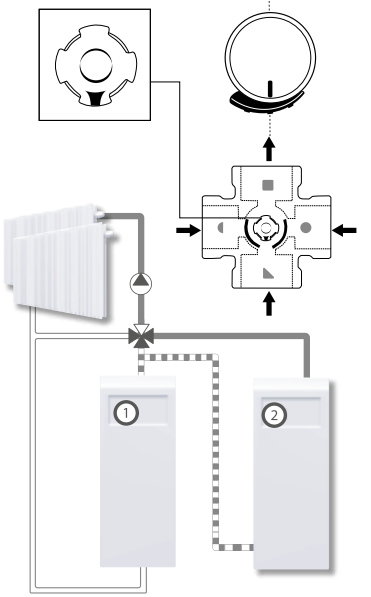
**b**



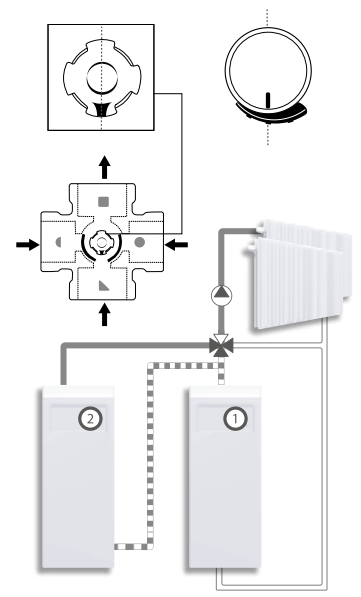
Piping Schematics are General Representations

**3**

**a**

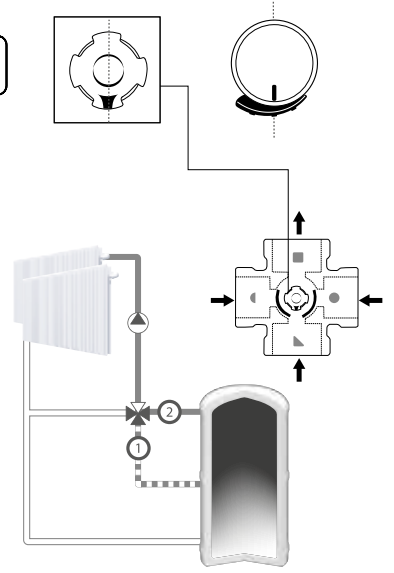


**b**

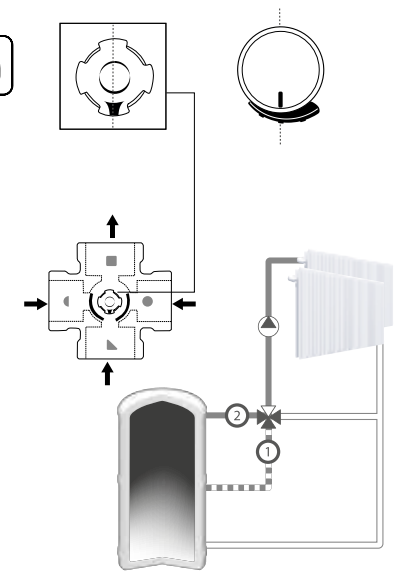


**4**

**a**

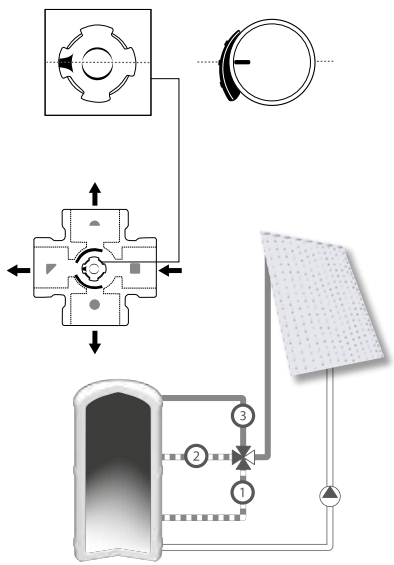


**b**

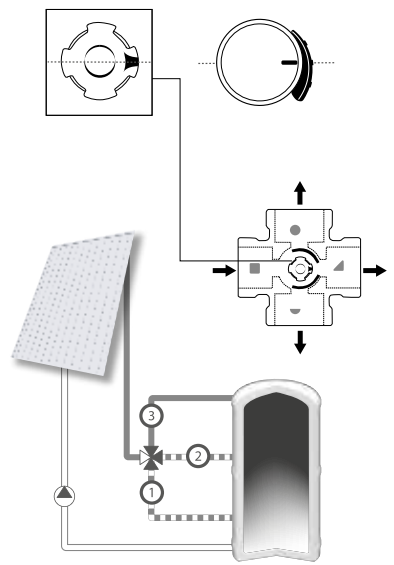


**5**

**a**



**b**



*\*We would like to pinpoint to the existence of a German patent DE 19821256C5 affecting the usage of bivalent 4-way valves in liquid circulation heating systems. In this patent the usage of a 4-way bivalent valve in a type of heating system is protected, in which 2 different heating circuits are operated in parallel, where the return of the first circuit is utilized as heat source for the parallel second heat circuit. A typical application would be a primary heat circuit with a heat source and a parallel floor heating, where the floor heating in a regulated manner is heated through its heat source and the return from the primary heat circuit is utilized as heat source for the floor heating. We are aware of this patent and hereby inform you that the use of our products without your approval of the patent holder is forbidden. All other applications our product group VRB are without restrictions possible.*

**i**



<http://www.esbe.eu/global/en/products/rotary-valves>