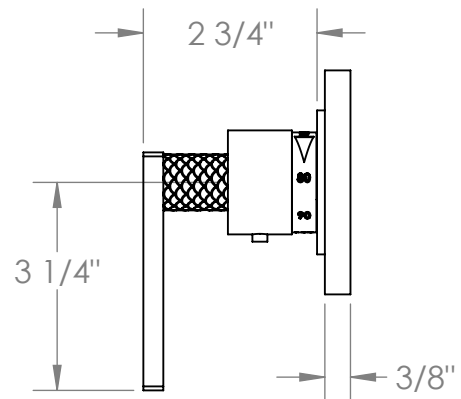
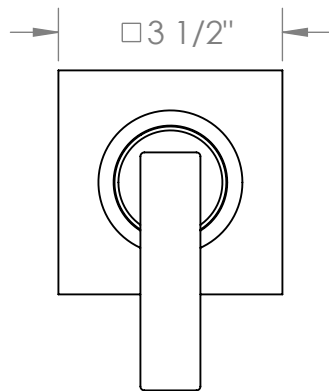
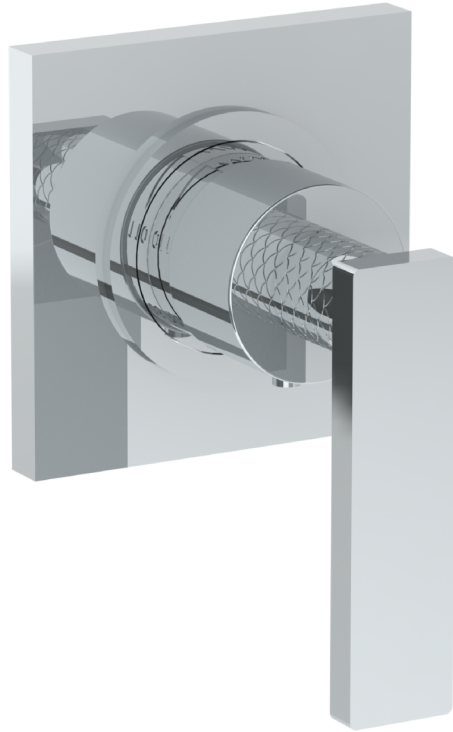


# 71-T15-LLO6

Wall Mounted Thermostatic Shower Trim

For use with SS-TH50 miniature thermostatic rough



Meets the applicable requirements of ASME A112.18.1-2005/CSA B125.1-05, entitled "Plumbing Supply Fittings"