

EB1470



Collection: NO COLLECTION

Finish*:



NF - Sans finition

Main features:

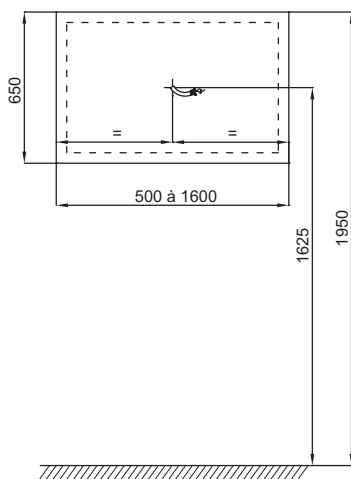
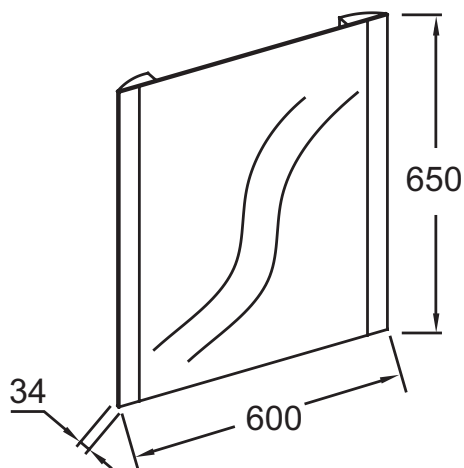


Features

- DIMENSIONS: 60 x 3.40 x 65 cm
- MATERIAL: Glass

- WEIGHT: 6.6 kg
- INSTALLATION TYPE: Wall-mount

Technical drawing



Product Specification: Mirror 60 cm - LED lighting and anti-steam. EB1470. Collection: NO COLLECTION. DIMENSIONS: 60 x 3.40 x 65 cm. WEIGHT: 6.6 kg. MATERIAL: Glass. INSTALLATION TYPE: Wall-mount.