

EB1471



Collection: NO COLLECTION

Finish\*:



NF - Sans finition

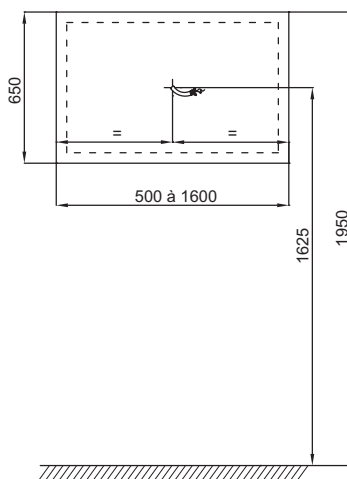
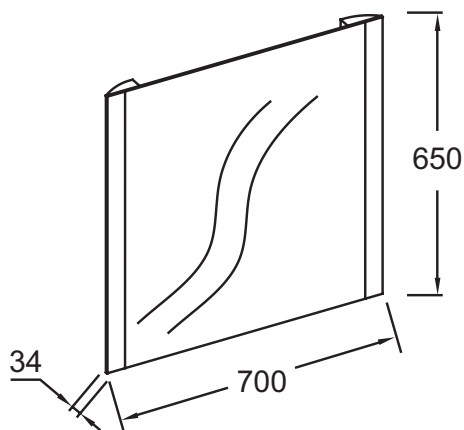
Main features:



### Features

- DIMENSIONS: 70 x 3.40 x 65 cm
- MATERIAL: Glass
- WEIGHT: 7.3 kg
- INSTALLATION TYPE: Wall-mount

### Technical drawing



Product Specification: Mirror with LED lighting and anti-steam 70 cm. EB1471. Collection: NO COLLECTION. DIMENSIONS: 70 x 3.40 x 65 cm. WEIGHT: 7.3 kg. MATERIAL: Glass. INSTALLATION TYPE: Wall-mount.