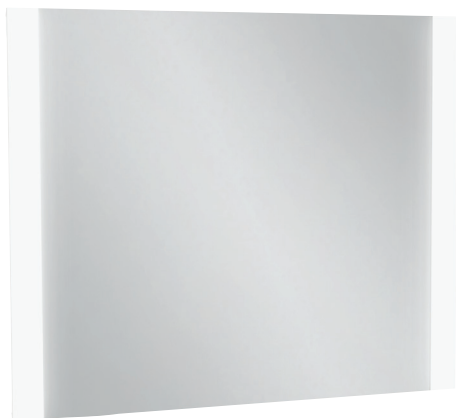


EB1472



Collection: NO COLLECTION

Finish\*:



NF - Sans finition

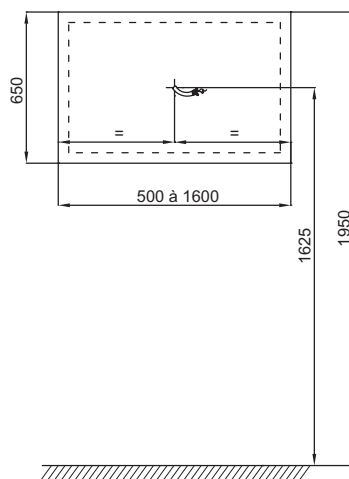
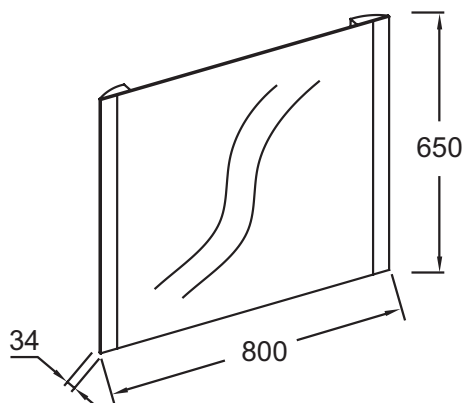
Main features:



## Features

- DIMENSIONS: 80 x 3.40 x 65 cm
- MATERIAL: Glass
- WEIGHT: 8 kg
- INSTALLATION TYPE: Wall-mount

## Technical drawing



Product Specification: Mirror with LED lighting and anti-steam 80 cm. EB1472. Collection: NO COLLECTION. DIMENSIONS: 80 x 3.40 x 65 cm. WEIGHT: 8 kg. MATERIAL: Glass. INSTALLATION TYPE: Wall-mount.