

IMO Wall valve anti-clockwise closing 3/4" - Brushed Platinum

IMO

36 608 980



- rosette 60 x 60 mm
- head part with cut-to-length spindle and sleeve

	Brushed Platinum	36 608 980-06
	Chrome	36 608 980-00
	Platinum	36 608 980-08
	Dark Chrome	36 608 980-19
	Brushed Light Gold	36 608 980-27
	Brushed Durabronze (23kt Gold)	36 608 980-28
	Matte Black	36 608 980-33
	Brushed Chrome	36 608 980-93
	Brushed Dark Platinum	36 608 980-99

Required miscellaneous



- Wall valve 3/4" -** 35 608 970 90
- max. recess depth 145 mm
 - min. recess depth 75 mm

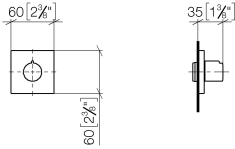


IMO Wall valve anti-clockwise closing 3/4" - Brushed Platinum

IMO

36 608 980

mm [inches]



Codes & Standards

ASME A112.18.1

cUPC

Scottish Water
Byelaws

UK Water Supply
Regulations

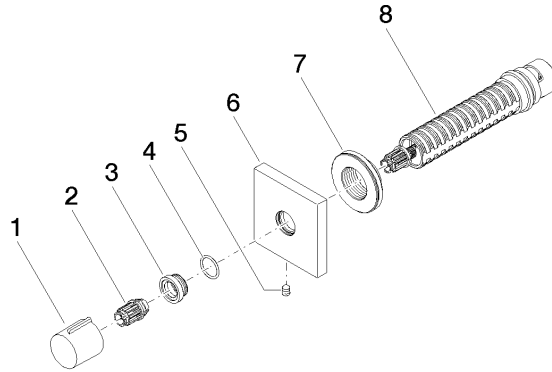
Certificates

IAPMO_4976

WRAS_2010

36 608 980

Product version from 6/1/2024





IMO Wall valve anti-clockwise closing 3/4" - Brushed Platinum

IMO

36 608 980

Spare parts list

Product version from 6/1/2024

No.	Item Number	Name	Quantity used	Delivery time
	09 20 98 001-06	handle	8	10