

Features

- 122 airjets release thousands of bubbles that surround, support, and massage the body.
- Variable-speed blower lets you adjust airjet massage intensity to 18 levels.
- Zones of Control™ feature allows you to target massage to back, midsection, or feet.
- 8 hydromassage jets can be individually adjusted for water flow and direction.
- Variable-speed pump for adjusting hydromassage intensity.
- Built-in heater.
- Lighted keypads.
- Extra-deep square shape offers fully-immersed soaking experience with a compact footprint.
- Two integrated seats at different heights allow bathers to sit at their desired soaking depth.

Material

- Acrylic.

Hydrotherapy

- BubbleMassage.
- Whirlpool.

Installation

- Reversible drain.
- Drop-in or undermount.
- Requires 240V hard-wire electrical service.
- Under-mount installation requires kit K-578 (sold separately).

Required Products/Accessories

K-9698 Flexjet® Whirlpool Trim Kit

Recommended Products/Accessories

K-8150 Cube Cable Drain

K-8134 Cable Bath Drain Trim Kit

K-578 Cube Undermount Installation Kit

K-24916 Wireless Music Kit

K-1177 Vinyl Tiling-in Bead

K-23726 Drain treatment

K-23732 Tub & shower cleaner



This product has been discontinued.

Codes/Standards

ASME A112.19.7/CSA B45.10

CSA B45.5/IAPMO Z124

ASTM E162

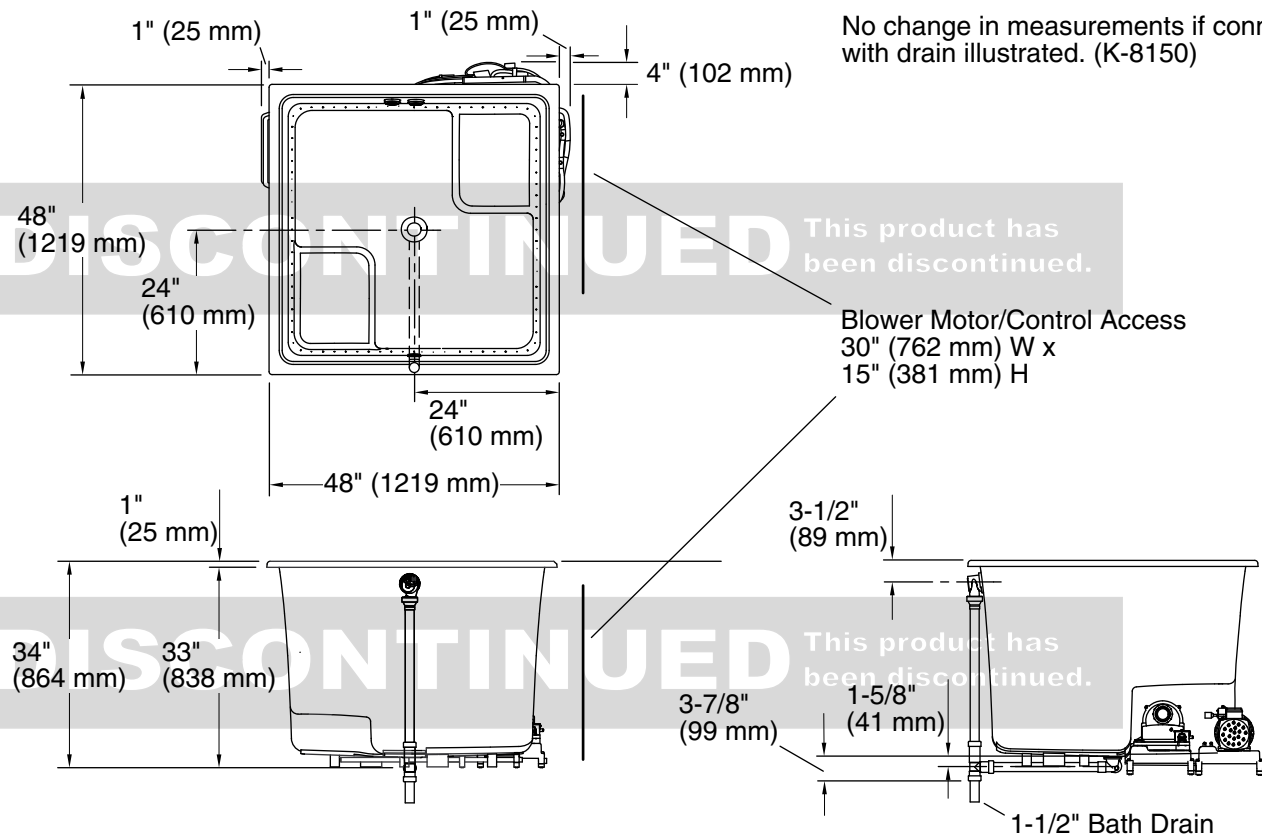
ASTM E662

UL 1795

CSA C22.2 No. 218.2

**KOHLER® Plastic Baths and Receptors
Lifetime Limited Warranty
KOHLER® Hydrotherapy Components
Five-Year Limited Warranty**

See website for detailed warranty information.



Required Electrical Service

One dedicated circuit required, protected with Class A Ground-Fault Circuit-Interrupter (GFCI). Outside North America, this device may be known as a Residual Current Device (RCD).

Blower, Pump, 240 V, 20 A, 50/60 Hz
Heater:

Technical Information

All product dimensions are nominal.

Installation:	Under-mount, Drop-in
Drain location:	End
Basin area, bottom:	39-3/8" x 39-3/8" (1000 mm x 1000 mm)
Basin area, top:	44-5/8" x 44-5/8" (1133 mm x 1133 mm)
Weight:	218 lbs (98.9 kg)
Minimum floor load:	102.3 lbs/ft ² (499.5 kg/m ²)
Water depth:	27-1/16" (687 mm)
Water capacity:	171 gal (647.3 L)
Template:	Under-mount, K-578, not required, not included
Electrical component rating:	Blower: 240 V, 5 A, 50/60 Hz Pump: 240 V, 11 A, 50/60 Hz Heater: 240 V, 50/60 Hz, 1500 W

Notes

Measure your actual product for rough-in details. Install this product according to the installation instructions.

The hot water supply should be 70% of the capacity of the bath or greater. Installations will vary.

IMPORTANT! Dry fit the drain assembly prior to installing the bath. The bath cannot be installed with all drain components attached.

Kit is required for under-mount installations (sold separately).

There are 1" (25 mm) or 4" (102 mm) protrusions beyond the rim of the bath on three sides of this unit. Modify the framing as needed.

This product is intended for under-mount installation only.