

Walraven VibraTek[®] HS-1 Spring Hanger

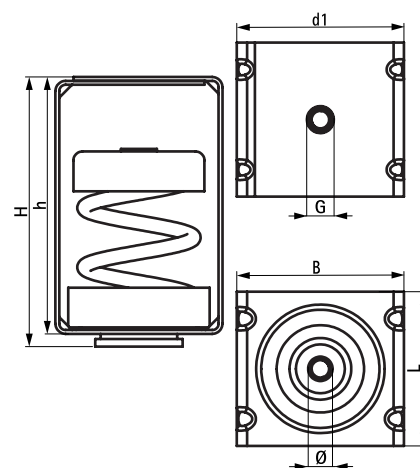
(L2 05 39)

high performance spring isolator for light suspended loads



Свойства и преимущества

- simple to install and does not need to be fixed to the base material
- recommended for machinery with low working speeds above 700 RPM
- epoxy powder-coated housing, cap and spring provide increased resistance to corrosion
- rubber spring base cup prevents contact between housing and the spring



Арт. №	G	L	B	H	h	d1	Ø	Min. Load	Max. Load	Min. Optimal Load	Max. Optimal Load	Max. Deflection	Уп.мин
			(мм)	(мм)	(мм)	(мм)	(мм)	(Н)	(Н)	(Н)	(Н)	(мм)	
2800600050	M8	60 mm	65	105	100	Ø 10,5	24	5	50	10	45	23,0	36
2800600150	M8	60 mm	65	105	100	Ø 10,5	24	20	150	30	140	23,0	36
2800600250	M8	60 mm	65	105	100	Ø 10,5	24	30	250	50	230	23,0	36
2800600500	M8	60 mm	65	105	100	Ø 10,5	24	50	500	100	450	23,0	36
2800600750	M8	60 mm	65	105	100	Ø 10,5	24	80	750	150	690	23,0	36
2800601000	M8	60 mm	65	105	100	Ø 10,5	24	100	1 000	200	920	23,0	36

See Product Data Sheet for further technical information.