



**Name:** MAXI - P

**Design:** Joana Bover / 2011

**Typology:** Floor lamp

**Environment:** Outdoor


**Technical description:**

Outdoor floor lamp with sealed, nonporous polyethylene shade housing two T5 fluorescent bulbs. Available with secure floor base, allowing for fastening to the floor by removing rubber stoppers on base. Electrical cables have propylene coating to respect IP 55 rating. Lighting can be installed upon request for additional fee. Polyethylene shade is available only in white. Not customizable. No electrical switch mounting allowed on cable or fixture. (IP 55)

**Lamps description**

 Earthing: compulsory

 2 x 28 W T5 HE

 2 x 54 W T5 HO

**Voltage:** 230V-50Hz

 1 Box 35 x 35 x 200 cm

**Vol.:** 0,2450 m<sup>3</sup>

**Weight:** 18 kg

**Certifications:**   IP-55  
Intertek 4006618

**Ref**

**Finishings**

3229500 white

**OPTIONAL**

Supply fluorescent tubes already installed inside the luminaire. Additional cost.

Light source is protected by a Polyethylene shade

**Fixing on the floor:**

The floor lamp can be fixed by removing the rubber stoppers placed on the foot base.

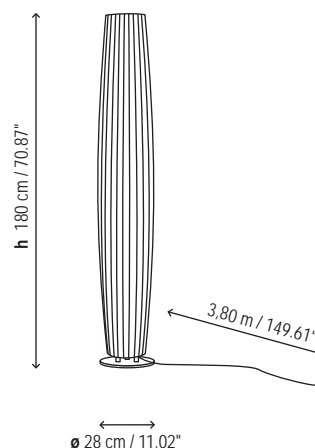
**Fixing on the surface with built-in wire:**

In this case, wire should be made out of rubber type HO5RN or superior, with a diameter between 6 and 8 mm.

**Not Customizable**



**Measures**



**Project information**

Project name:

Approved by:

Fixture type:

Date:

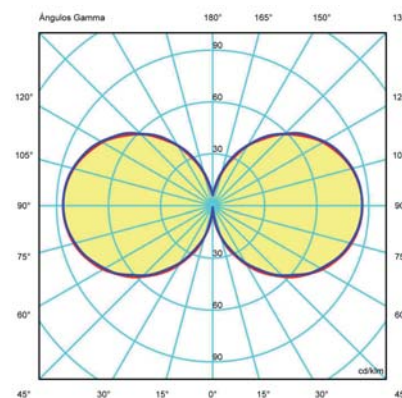
Location:

Prepared by:

Comments:

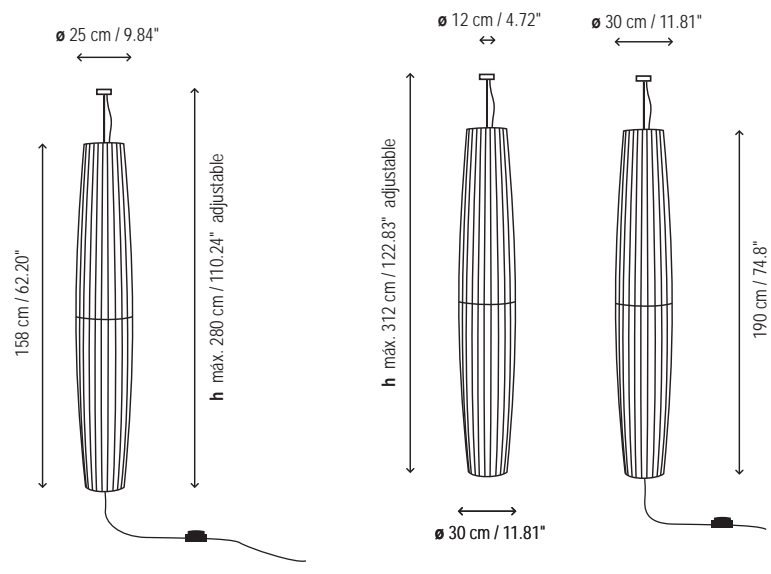
Prepared for:

**Photometrics**



**MAXI - 01 Pendant lamp**

**MAXI - 02 Pendant lamp**



**MAXI - S OUTDOOR**

**MAXI - 01 Floor**

**MAXI - 02 Floor**

