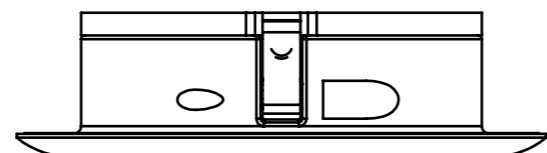
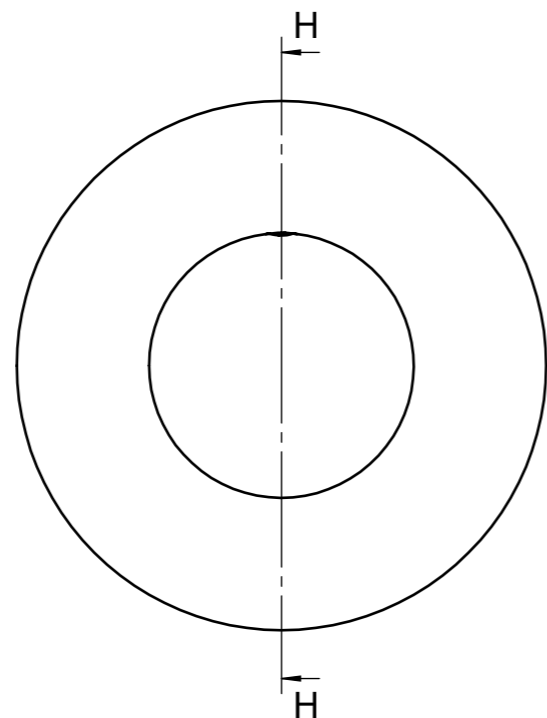
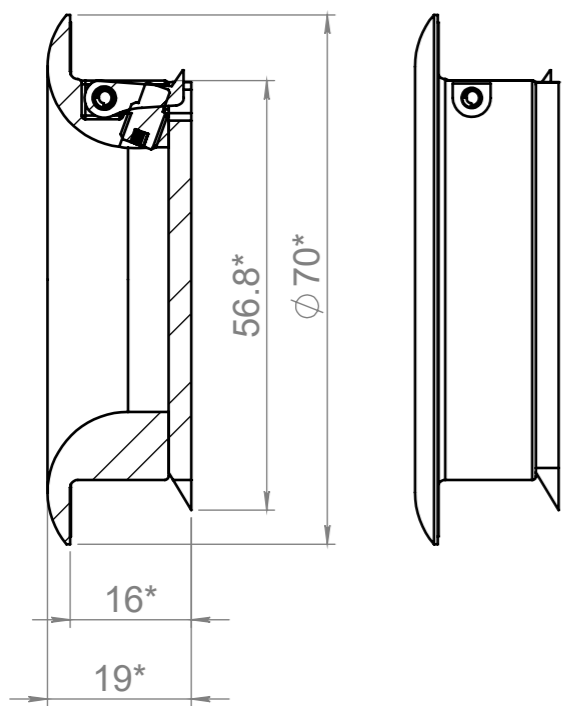


H-H



1. * Information dimension.

ITEM NO.	PART NUMBER	DESCRIPTION	QTY.
1	D 8233	Circle handle part FAT	1
2	D 8234	Flush pull circle TD	1
3	D 8235	Fix hook, TD	1
4	14.9701.02.019	Grebhalskrue M5 med tap	1
5	D 8236	C pin, 2.5x12	1
6	D 8237	Bolt, M3x8	2
7	14.9701.02.016	Grebhalskrue M5 med tap	1
8	D 8257	3M Type Sticker	1

Subject: Fat flush pull handle, round Ø70mm		Mass: 217.6522 g	Scale: 1:1
Category: Harware		Material: Stainless steel AISI 316 Polished, electric blue	
Sign: MIG	Latest release: MIG	Revision: 0	Drawing no.: 17.9010.F1.000
Date: 30/08/2019	Release date:		
Dimension without tolerance, follows DS/ISO 2768-mK. This drawing is the property of d line a/s, and is not to be copied or shown to third parties.			d line