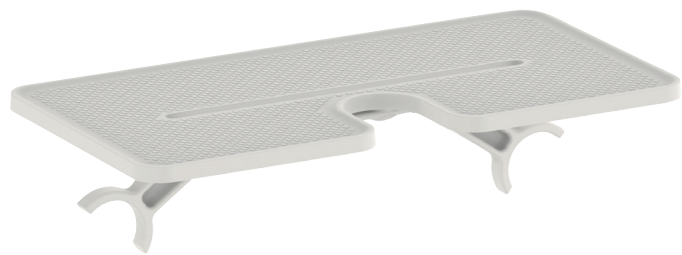


E24316



Collection: MÉTRO

Finish*:



NF - Sans finition



BL - Noir mat

Main features:



Features

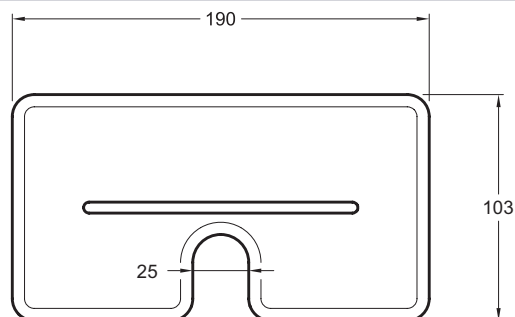
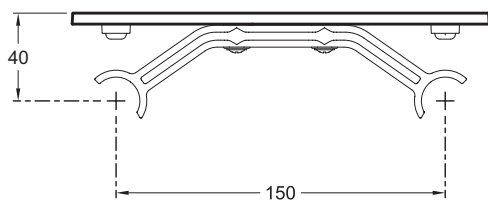
- DIMENSIONS: 19 x 10.30 x 4 cm
- MATERIAL: 54

- WEIGHT: 1 kg

Optional products

- E26589: Shower column

Technical drawing



Product Specification: Anti-slip shelf for shower column. E24316. Collection: MÉTRO. DIMENSIONS: 19 x 10.30 x 4 cm. WEIGHT: 1 kg. MATERIAL: 54.