



WE ARE IB

Collection

HERMES ELLE

Article

HL800_3

Description

Shower column with mixer and shower kit.



Box Dimensions

1003x520x130 mm

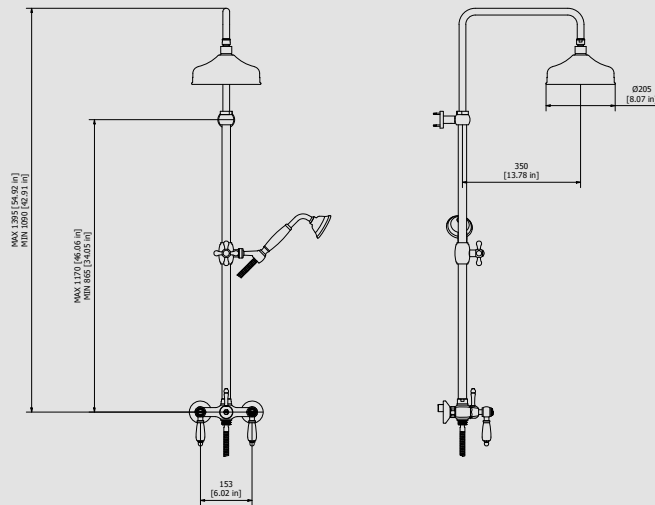
Weight

10 kg

Finishes

- **CC** CHROME
- **PL** PLATINUM
- **SS** BRUSHED NICKEL
- **ON** NATURAL BRASS
- **BO** MATT WHITE
- **NP** MATT BLACK
- **CF** BLACK CHROME
- **CS** BRUSHED BLACK CHROME
- **II** PALE GOLD
- **IS** BRUSHED PALE GOLD
- **RS** ROSE GOLD
- **SR** BRUSHED ROSE GOLD
- **OO** GOLD
- **OS** BRUSHED GOLD
- **RR** ANTIQUE COPPER
- **BB** ANTIQUE BRONZE

Dimensions



Cartridge

Ceramic headwork

Aerator

-

Production

Main body is a single casted pieces.

Hoses

Hose G1/2" F G1/2" cone L150

Flow Rate (+/-10%)

1 BAR	2 BAR	3 BAR
8 l/m	12 l/m	14.5 l/m

Material

BRASS
According to CuZn40Pb3 (CW614N)
Max Lead content: 2.5%

IB RUBINETTERIE s.p.a
via dei Pianotti 3/5
25068 Sarezzo (BS) - Italy -

T. +39 030 802101
F. +39 030 803097
info@weareib.it

P.IVA 01785230986
capitale sociale
€420.000,00 i.v.

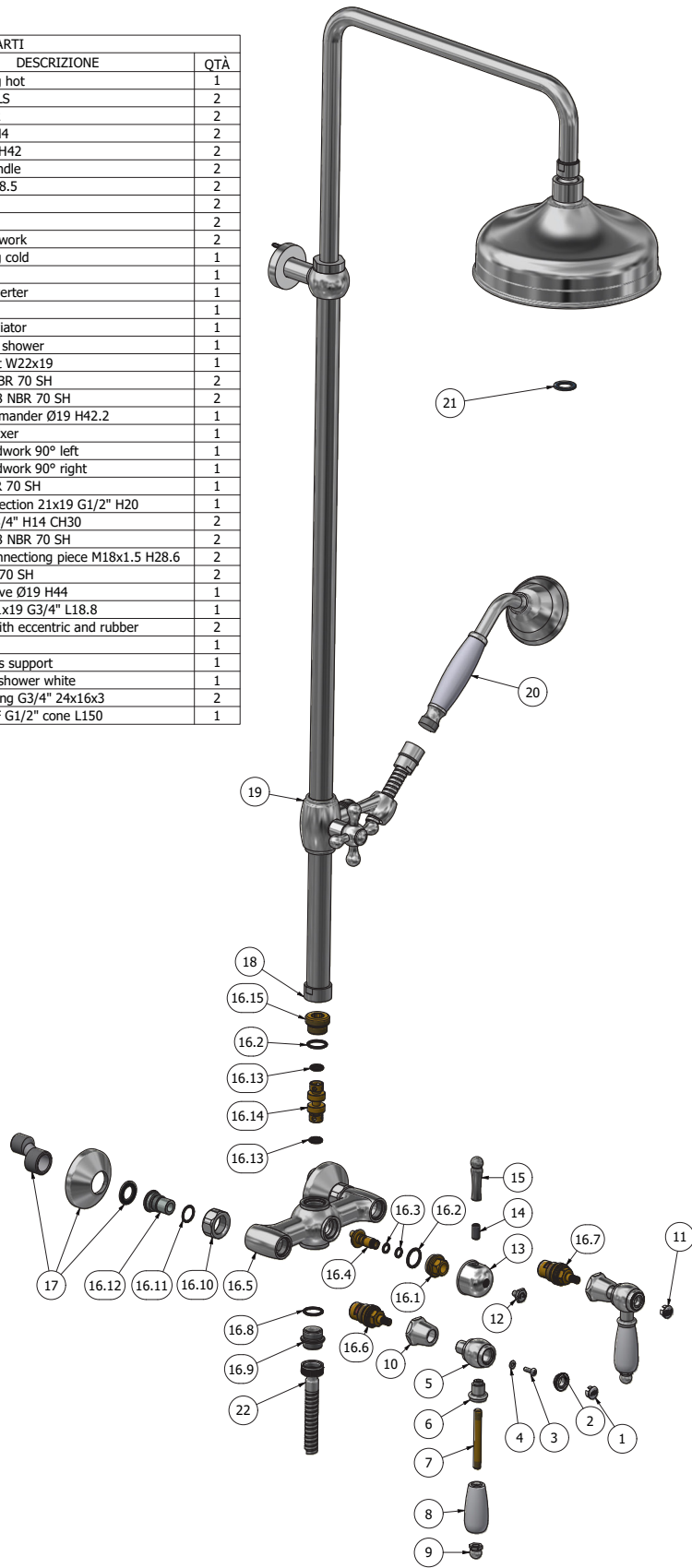
www.weareib.it





WE ARE IB

ELENCO PARTI			
ELEMENTO	CODICE	DESCRIZIONE	QTÀ
1	AQ0013551	Handle's plug hot	1
2	AQ0009069	Cover Ø20 PLS	2
3	AQ0010985	Screw M4x12	2
4	AQ0010229	Washer for M4	2
5	AC0003397	Lever Ø31.5 H42	2
6	AC0004500	Insert for handle	2
7	AT0004520	Rod M8x1 L68.5	2
8	AQ0004525	Grip handle	2
9	AC0004510	Domed nut	2
10	AC0003100	Cap for headwork	2
11	AQ0013552	Handle's plug cold	1
12	AC0003160	Plug	1
13	AC0006778	Lever for diverter	1
14	AQ0006931	Pin M8x16	1
15	AC0006777	Lever for deviator	1
16	CPHR800CC-21	Pre mounted shower	1
16.1	AS0008071	Diverter's nut W22x19	1
16.2	AQ0009385	OR 18x2.2 NBR 70 SH	2
16.3	AQ0006645	OR 7.66x1.78 NBR 70 SH	2
16.4	AS0008070	Diverter commander Ø19 H42.2	1
16.5	CC0001540	Body bath mixer	1
16.6	AQ0002135	Ceramic headwork 90° left	1
16.7	AQ0003930	Ceramic headwork 90° right	1
16.8	AQ0006997	OR 18x2 NBR 70 SH	1
16.9	AC0016976	Shower connection 21x19 G1/2" H20	1
16.10	AC0000710	Fixing nut G3/4" H14 CH30	2
16.11	AQ0004600	OR 15.6x1.78 NBR 70 SH	2
16.12	AN0008067	Threaded connecting piece M18x1.5 H28.6	2
16.13	AQ0009254	OR 9x3 NBR 70 SH	2
16.14	AS0008069	Diverter's valve Ø19 H44	1
16.15	AS0008068	Junction W21x19 G3/4" L18.8	1
17	AQ0000530	Rosette kit with eccentric and rubber	2
18	AQ0013762	Shower arm	1
19	AQ0014578	Handshower's support	1
20	AQ0008031	Old America shower white	1
21	AQ0010009	Rubber packing G3/4" 24x16x3	2
22	AQ0003120	Hose G1/2" F G1/2" cone L150	1





WARRANTY

All IB Rubinetterie SpA products are warranted for 10 years from the date of purchase, for the following cases:

- Defects of casting, porosity and chrome plating.
- Operating defects caused by incorrect fabrication.

The warranty provides for repair or replacement of products with fabrication defects recognized by our technical office. There is no other type of compensation anche the merchandise must be returned FOB our warehouse. The warranty only cover surface defects (scatches, dings, etc.) on fitting that have not been installed and used, returned in its original packaging with all components. O-ring, gasket seals and components subject to wear proportional to use are warranted for 2 years.

The warranty is void in the following cases:

Error installing and putting the product into service.

Deterioration of finished surfaces due to use of cleaning products containing acids or abrasive substances. Deterioration of surface with finishes other than chrome plating. Their durability is, in fact, dependent on the user's care and gentleness of use.

Deterioration of the fitting due incorrect installation.

Improper repairs and maintenance performed without the company's prior authorization.

The warranty from IB Rubinetterie SpA is not renewable.

Cleaning

We recommended cleaning the finish surfaces with water and soap, using a soft cloth.

Do not use detergents that contain hydrochloric acid or abrasive substances.

