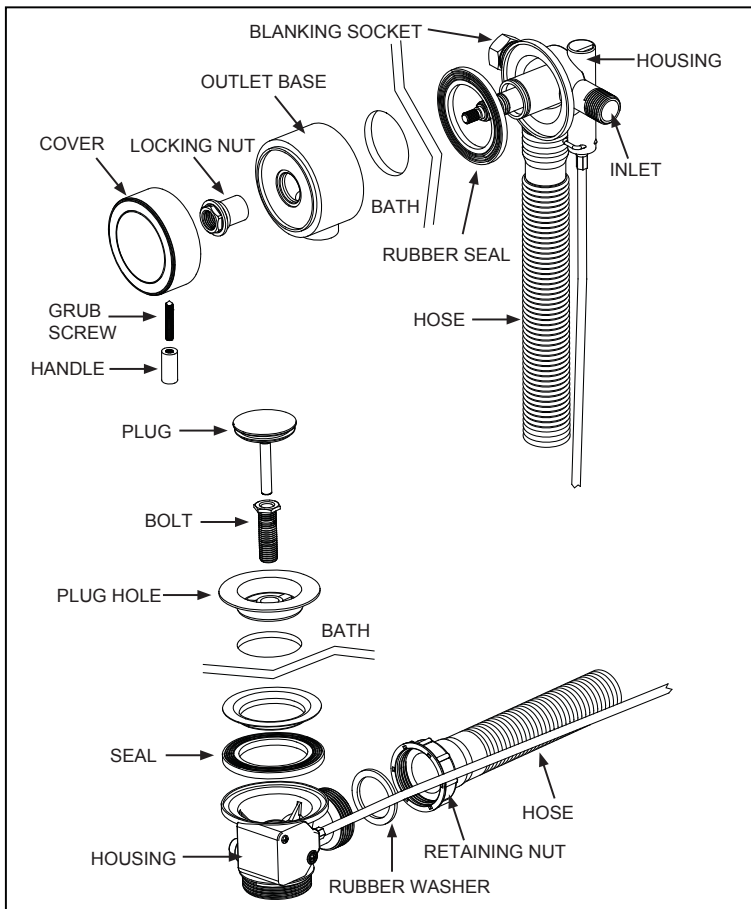


## INSTALLATION INSTRUCTIONS

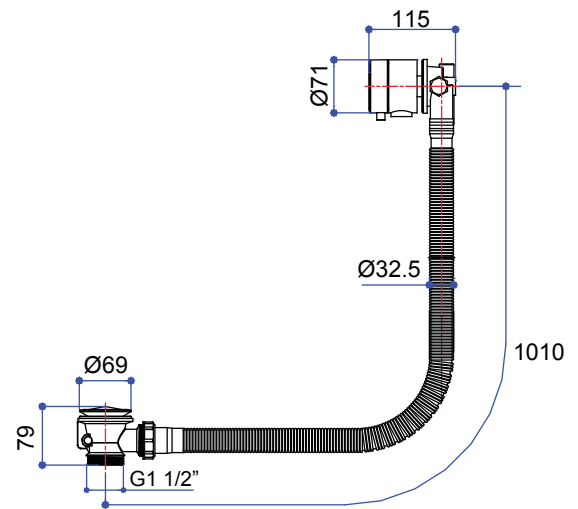
### Pop-Up Waste with Bath Filler - CW9

#### Important

- We recommend that this product is installed by a qualified professional contractor. Such as a plumber who is certified by NVQ (National Vocational Qualification) or SNVQ (Scottish National Vocational Qualification) Level 3.
- Please check this product immediately to ensure that it has not been damaged and is complete. Before installation, please make sure this product is the correct model and you have all the parts required for installation and using.
- Please read these instructions carefully and keep it for future reference.



#### Dimension:



#### Installation

1. Fit the rubber seal into overflow housing, then hold this unit in position from the backside of the bath.
2. From inside of bath, place the outlet base over bath overflow hole and screw on the locking nut.
3. Push the cover on the spline of housing and fix it by tighten the grub screw.
4. Screw the handle on the bottom of cover.
5. From underside, push the rubber seal into the waste hole of bath. Then push on the waste housing.
6. Form inside of bath, place the plug hole in position on the rubber seal. Then screw the bolt in the waste housing (Use the small bolt for bath thickness up to 9mm and the large bolt for thickness from 9mm to 22mm)
7. Put the plug into the plug hole.
8. To adjust the plug : a) Release the nut on the bolt, b) screw/unscrew the bolt until the required position is obtained. c) Tight the nut on the bolt.
9. Push the flexible hose with the rubber washer into the waste housing and tight the nut on the hose.

#### Maintenance

We do NOT recommend you use any household cleaners to clean the product. Because these cleaners change substance or formula too frequently. The product should be always cleaned only with soapy water and rinsed with clean water and dried with a soft cloth.