

Features

- 11 effervescence ports deliver gentle, caressing bubbles.
- Variable-speed pump.
- Chromatherapy lighting allows you to select a preferred color scheme to suit your mood.
- Built-in heater.
- Remote control.
- Overflow channel for deep soak and unique infinity pool effect.

Material

- Acrylic.

Hydrotherapy

- Effervescence.

Installation

- Drop-in.

Required Products/Accessories

K-7193 Bath Drain

Recommended Products/Accessories

K-1601 Bath/Whirlpool Footstop
K-923 Wall- Or -Ceiling-Mount Bath Filler
K-18486-4 Roman Bath Filler
K-23726 Drain treatment
K-23732 Tub & shower cleaner



Codes/Standards

ASME A112.19.7/CSA B45.10
CSA B45.5/IAPMO Z124
ASTM E162
ASTM E662
UL 1795
CSA C22.2 No. 218.2



**KOHLER® Plastic Baths and Receptors
Lifetime Limited Warranty
KOHLER® Hydrotherapy Components
Five-Year Limited Warranty**

See website for detailed warranty information.

Available Colors/Finishes

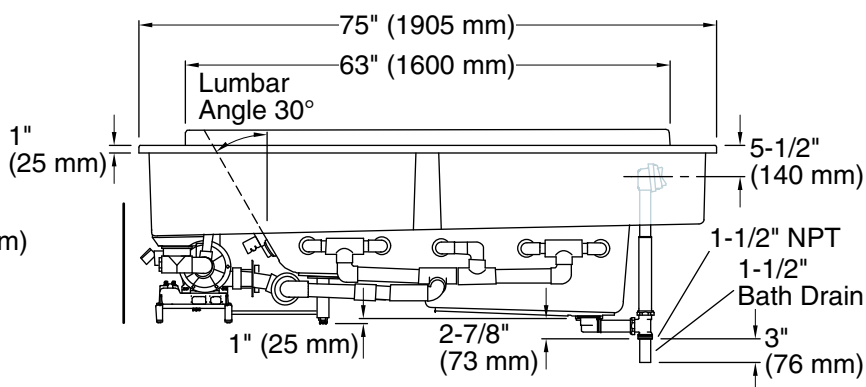
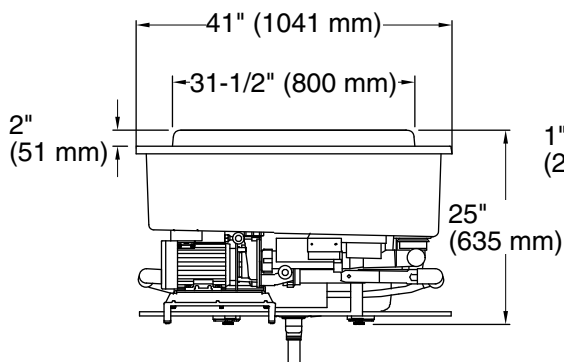
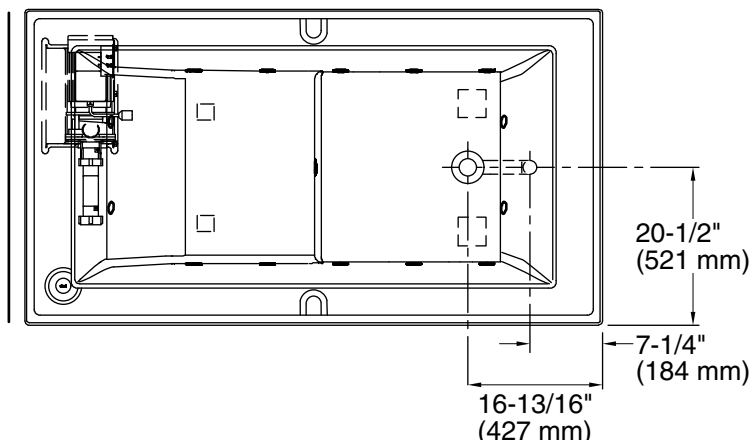
Color tiles intended for reference only.

Color	Code	Description
-------	------	-------------

	0	White
	96	Biscuit

No change in measurements if connected with drain illustrated. (K-7193)

Pump/Control Access
 15" (381 mm) H x 40" (1016 mm) W Min



Required Electrical Service

Two dedicated circuits required, protected with Class A Ground-Fault Circuit-Interrupter (GFCI). Outside North America, this device may be known as a Residual Current Device (RCD).

Pump: 240 V, 20 A, 50/60 Hz
 Heater: 240 V, 20 A, 50/60 Hz

Technical Information

All product dimensions are nominal.

Installation: Drop-in
 Drain location: Right
 Basin area, bottom: 45" x 25-1/2" (1143 mm x 648 mm)
 Basin area, top: 61-1/2" x 30-1/4" (1562 mm x 768 mm)
 Weight: 275 lbs (124.7 kg)
 Minimum floor load: 65 lbs/ft² (317.4 kg/m²)
 Water depth: 23-1/2" (597 mm)
 Water capacity: 142 gal (537.5 L)
 Cutout: Drop-in, 73-1/2" x 39-1/2" (1867 mm x 1003 mm)
 Electrical component rating: Pump: 240 V, 4 A, 50/60 Hz
 Heater: 240 V, 15 A, 50/60 Hz, 4000 W
 Pump speed: Variable

Notes

Measure your actual product for rough-in details. Install this product according to the installation instructions.

The hot water supply should be 70% of the capacity of the bath or greater. Installations will vary.

Consult local and national codes for minimum air gap requirements when installing a spout on the faucet deck.

Unit must be filled through the bathing well.